

## SALES SERVICE BULLETIN NUMBER 210A

Models SPP, Switching Patch Panels

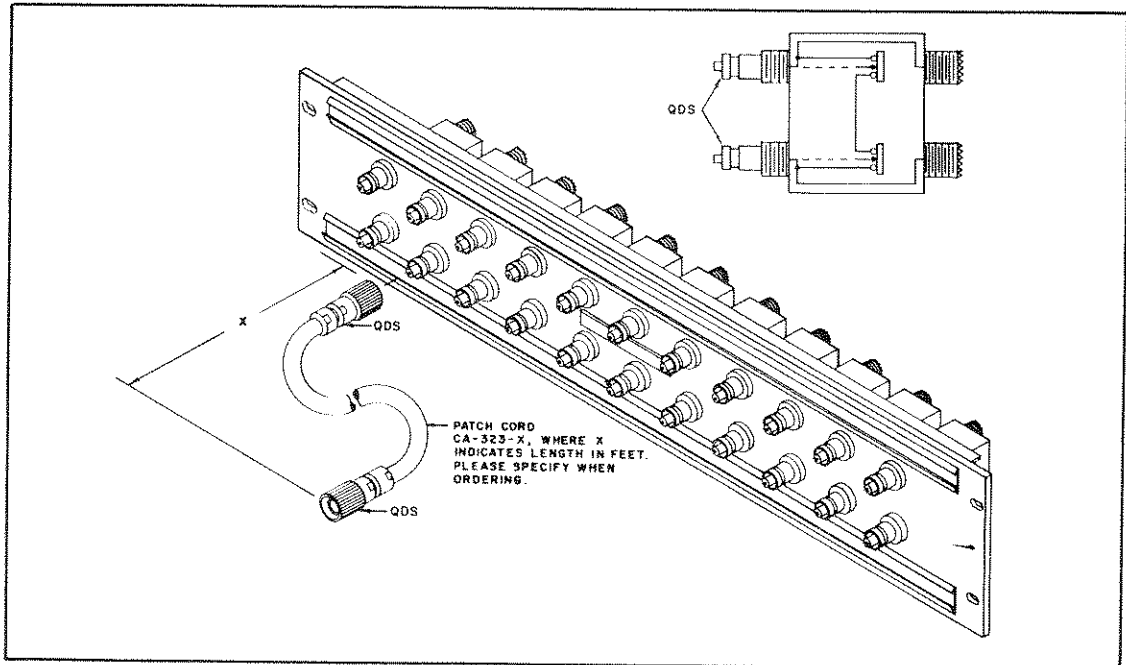


Figure 1. Typical Example Models SPP

The series SPP are improved Switching Panels for use in R.F. Signal Distribution Systems where a "normalizing" patching scheme is indicated.

These panels replace various AN type Jack Panels and their associated rear jumper connections.

The switch mechanism in these devices is a new coaxial design providing a positive action locking arrangement for the mating plug. All contacts are silver plated and low loss Teflon insulation is used throughout. Mating plugs, or patching cables made to customer specified length are available on request. See S.S.B. #222.

V.S.W.R. The VSWR taken from QDS through to UHF, or UHF through to UHF is never greater than 1.02/1 over the frequency range of 2 to 32 megacycles. In fact, over the larger portion of the frequency range it is considerably less.

ISOLATION With connection to one QDS plug and with both UHF jacks terminated in 70 ohms, the isolation from UHF to UHF is 55 db at 8 megacycles and 42 db at 30 megacycles.

With connections to both QDS plugs and with both UHF jacks terminated in 70 ohms, the isolation from UHF to UHF is 64 db at 8 megacycles and 50 db at 30 megacycles.

These panels are a major advance in patching techniques for antennas, receivers, TV, video devices, and many other equipments. Special combinations are available on request and we invite your inquires.

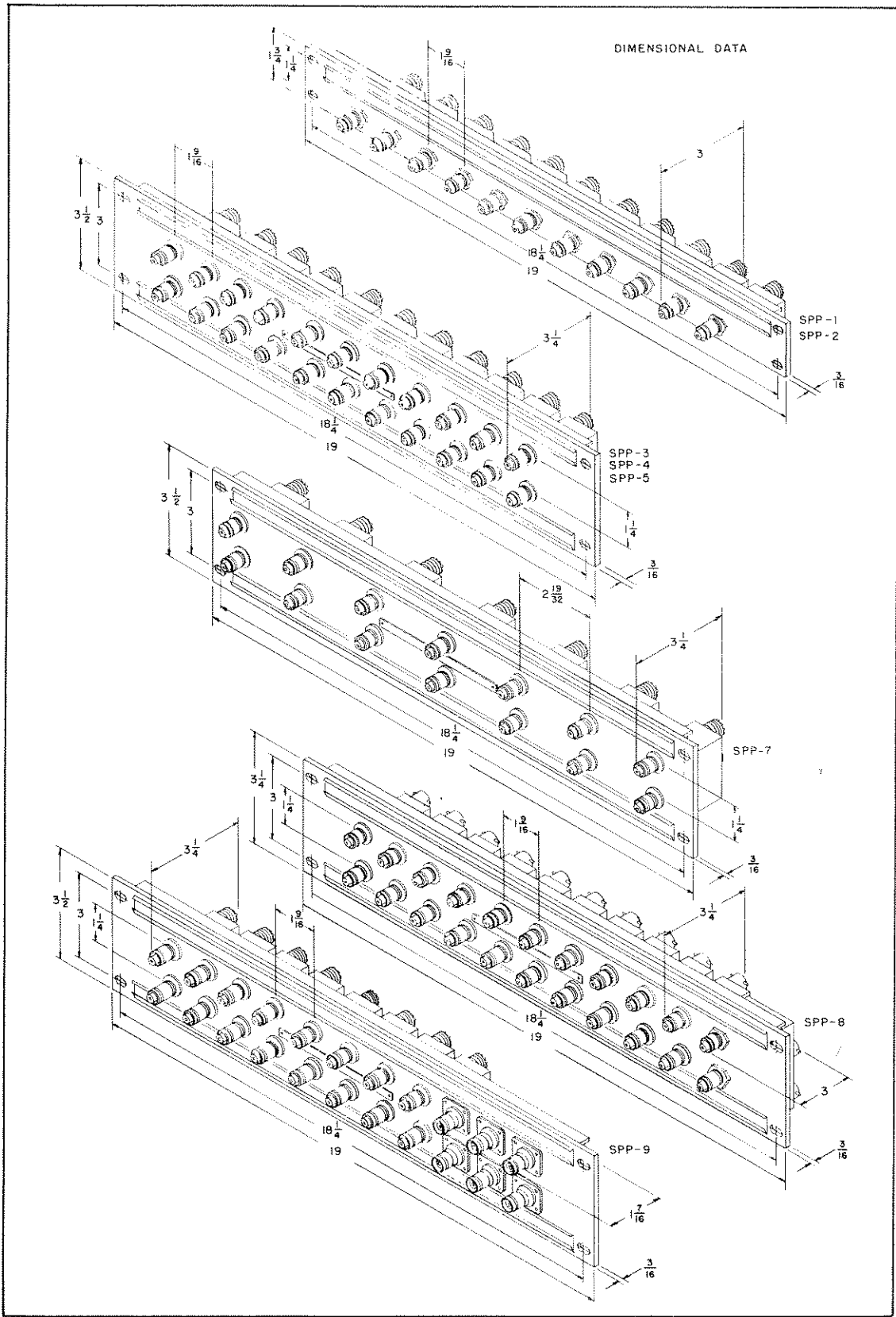
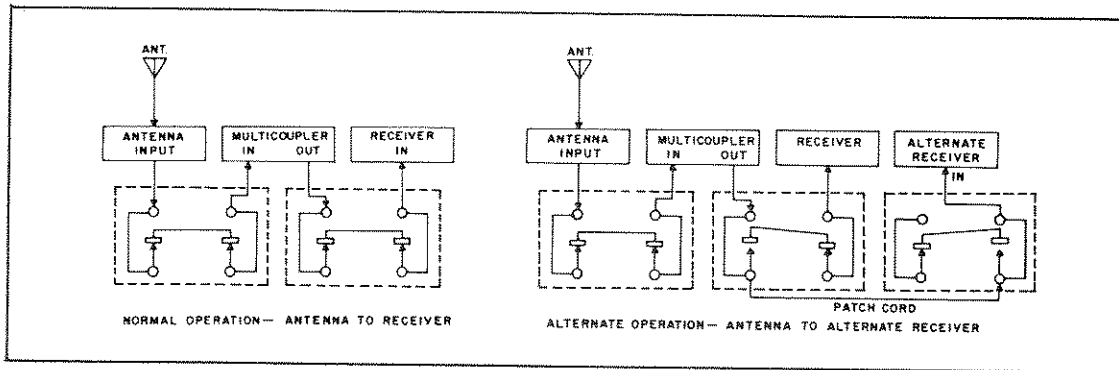


Figure 2. Dimensional Data, Models SPP



Typical Example using Model SPP-3 for Normal or Alternate Receiver Operation.

TECHNICAL SPECIFICATIONS:

SPP-1	Single QDS to dual UHF 11 connectors front 22 connectors rear		11 switches
SPP-2	Single QDS to dual BNC 11 connectors front 22 connectors rear		11 switches
SPP-3 (SB-932/U)	Dual QDS to dual UHF 22 connectors front 22 connectors rear		11 switches
SPP-4	Dual QDS to dual BNC 22 connectors front 22 connectors rear		11 switches
SPP-5	Dual QDS to dual N 22 connectors front 22 connectors rear		11 switches
SPP-7	Dual QDS to dual UHF 14 connectors front 14 connectors rear		7 switches
SPP-8	10 dual QDS to dual BNC 2 single QDS to dual BNC 22 connectors front 24 connectors rear		12 switches
SPP-9	8 dual QDS to dual UHF 6 single QDS to single UHF 22 connectors front 22 connectors		8 switches

WEIGHT: Approx. 25 pounds per unit

DIMENSIONAL DATA

See Figure 2

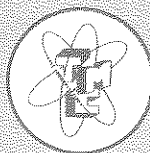
COPYRIGHT 1959  
THE TECHNICAL MATERIEL CORP.

# THE TECHNICAL MATERIEL CORPORATION

700 FENIMORE ROAD.

MAMARONECK, NEW YORK

CABLE  
TEPEI  
MAMARONECK, N.Y.



COMMUNICATION ENGINEERS

IN CANADA:  
TMC (CANADA) LTD.  
OTTAWA, ONTARIO