



TECHNICAL BULLETIN NUMBER 8009A

Antenna Terminators and Dummy loads

TMC Models TER

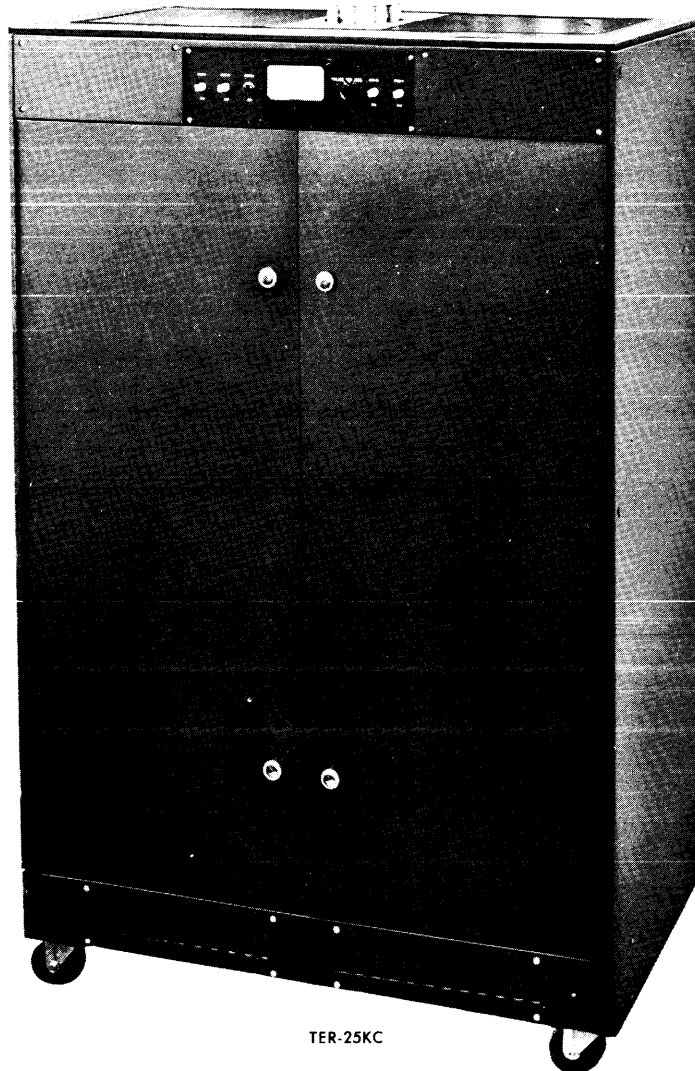
DA-199/U

DA-200/U

DA-210/U

DA-201/U

DA-209/U



TER-25KC

TMC Models TER are a series of RF Antenna Terminators and Dummy Loads, available in a wide range of power dissipation from 250 watts to 50 kilowatts peak power in either balanced or unbalanced operation.

Models TER are used at transmitting sites for routine off-the-air tuning of transmitters and for termination of Rhombic, Sloping Vee, or other types of antennas requiring resistive termination.

Models TER are housed in rugged weatherproof cases easily installed on poles or platforms and require a minimum of maintenance. The special glass resistors used afford a minimum of reactance and may be instantly brought to full rated power in a -40° C. ambient. Models

Antenna Terminators and Dummy Loads

TER-25K dissipators include filtered forced air cooling, forward and reflected power metering to compute VSWR. Casters for mobility and transmit interlock connections for personnel and equipment safety are included on all TER-25K and TER-18K (less TER-18K-600BF). Casters can be locked for permanent installations.

A wide variety of RF fittings are available to mate the TER series to many standard transmission systems, as featured in TMC's Connector Products Catalog. As an example: to order a TER 5000-70U with an L. C. coupling connector, order TER 5000-70U/AX-287-()*.

All TER-18K and TER-25K unbalanced units are provided with 3 $\frac{1}{8}$ " EIA flanges. All Models TER of either 300 or 600 ohm impedances are provided with bowl insulators.

For models available and individual specifications, see accompanying Chart.

GENERAL TECHNICAL SPECIFICATIONS, Models TER:

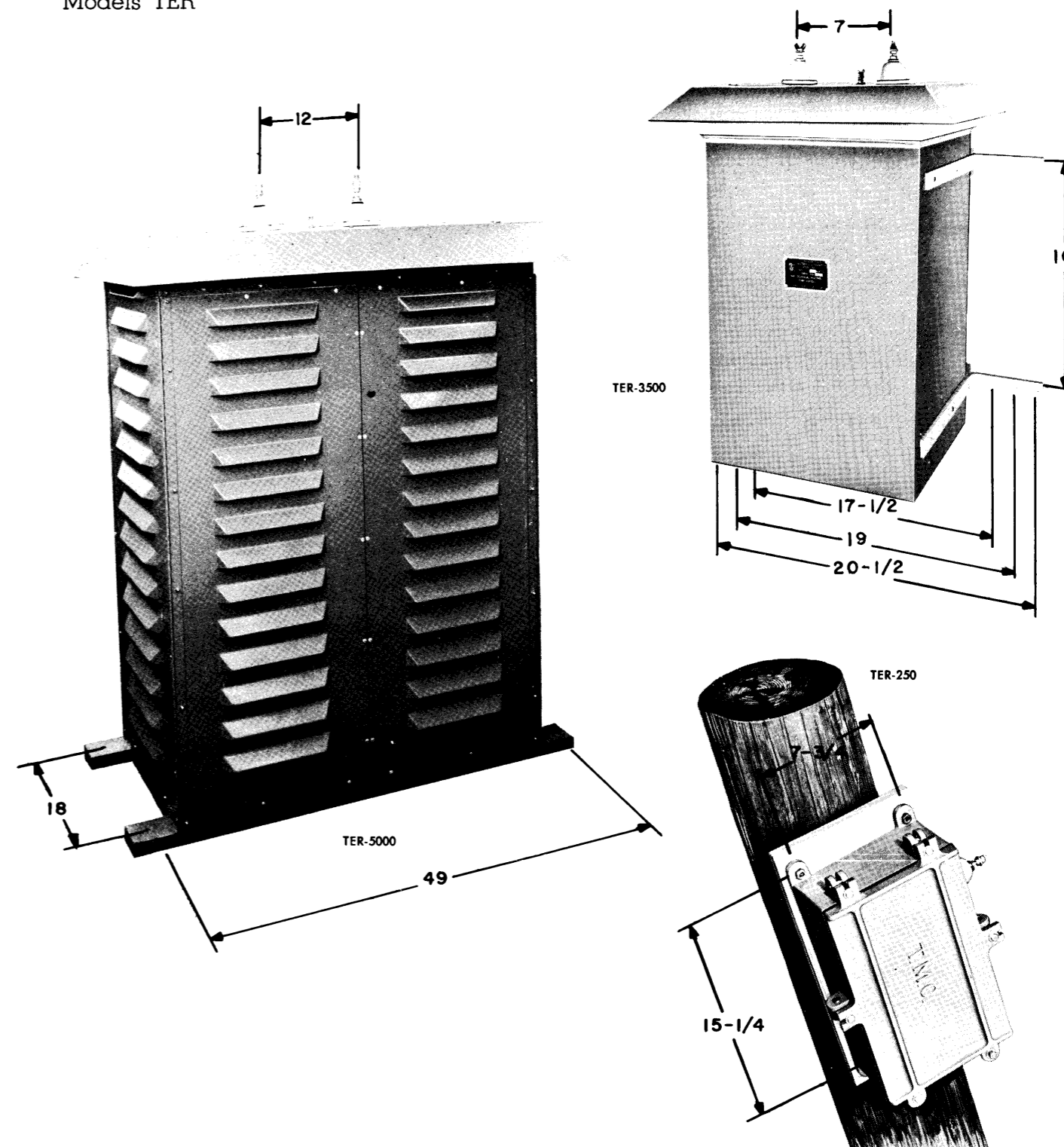
FREQUENCY RANGE:	DC to 30 megacycles, except as noted in Chart.
DISSIPATION RATINGS:	250 w to 50 kw (refer to Chart)
IMPEDANCE:	See Chart. First group of figures in TMC Model number indicates power dissipation, and second group of figures shows input impedance. Last letter indicates whether termination is balanced or unbalanced. Example: Model TER-500-600B is a 500 watt average dissipator with 600 ohm balanced input terminals.
COOLING:	1. Convection cooling by means of screened vent ports. 2. Filtered air blower system for TER-25K series, by means of 4 base mounted fans.
INPUT TERMINALS:	Insulator bowls on balanced units, 12" on center. Insulator bowls or coaxial connectors on unbalanced units. (See Chart.)
OPERATING TEMPERATURE:	—40°C. to +75°C. ambient.
RESISTORS:	Special glass cylinders with resistive element electro-fused into surface. Baked silicone protective coating. Fired on silver bands to assure positive connection. Resistor spiral cut to insure even heat dissipation.

* For matching RF fittings see TMC Connector Products Catalog.

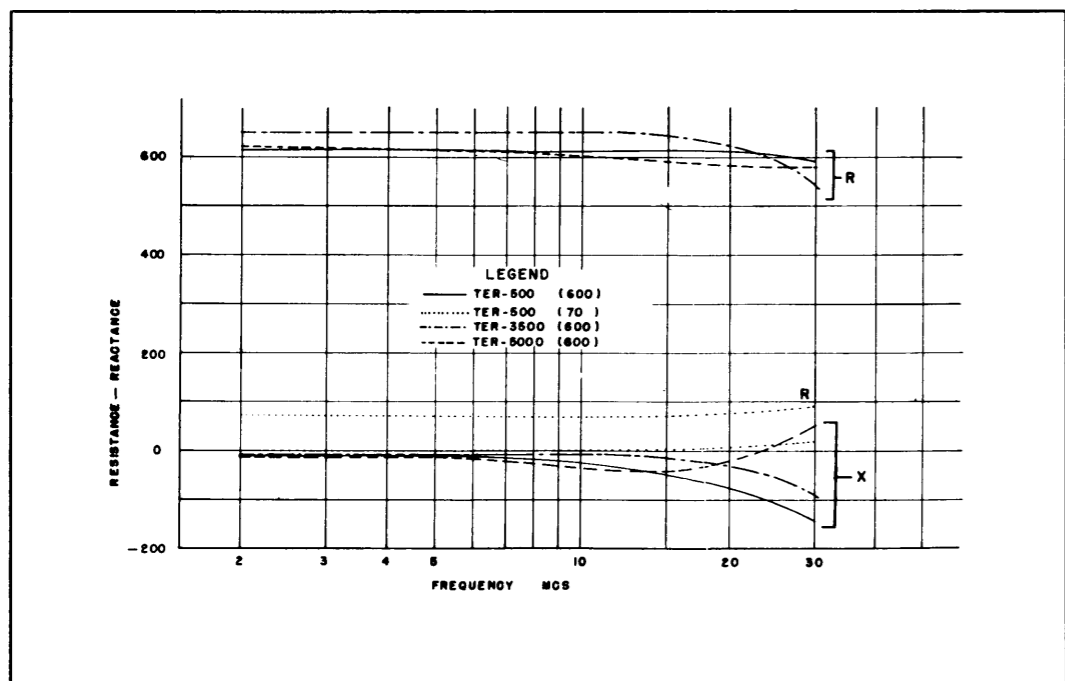
Models TER

Models TER

- CENTER TAP: Furnished on 600 ohm units.
- PROTECTION: Internal spark gaps for lightning protection.
- CASE MATERIAL: Refer to Chart.
- SIZE: See Chart.
- MOUNTING: All outdoor units fitted for pole or platform mounting. (See Back Page for mounting details).
- WEIGHT: See Chart.
- AC POWER REQUIREMENTS: 115/230 v, 1 ϕ , 50-60 cps Approx. 400 watts.
(For TER-25K series)
- COMPONENTS AND CONSTRUCTION: All equipment manufactured in accordance with JAN/MIL specifications wherever practicable.
- OPTIONAL EQUIPMENT: See Chart.
- SHIPPING DATA: See Chart.



COPYRIGHT 1962
THE TECHNICAL MATERIEL CORP.



Typical Impedance Characteristics.

GP-152



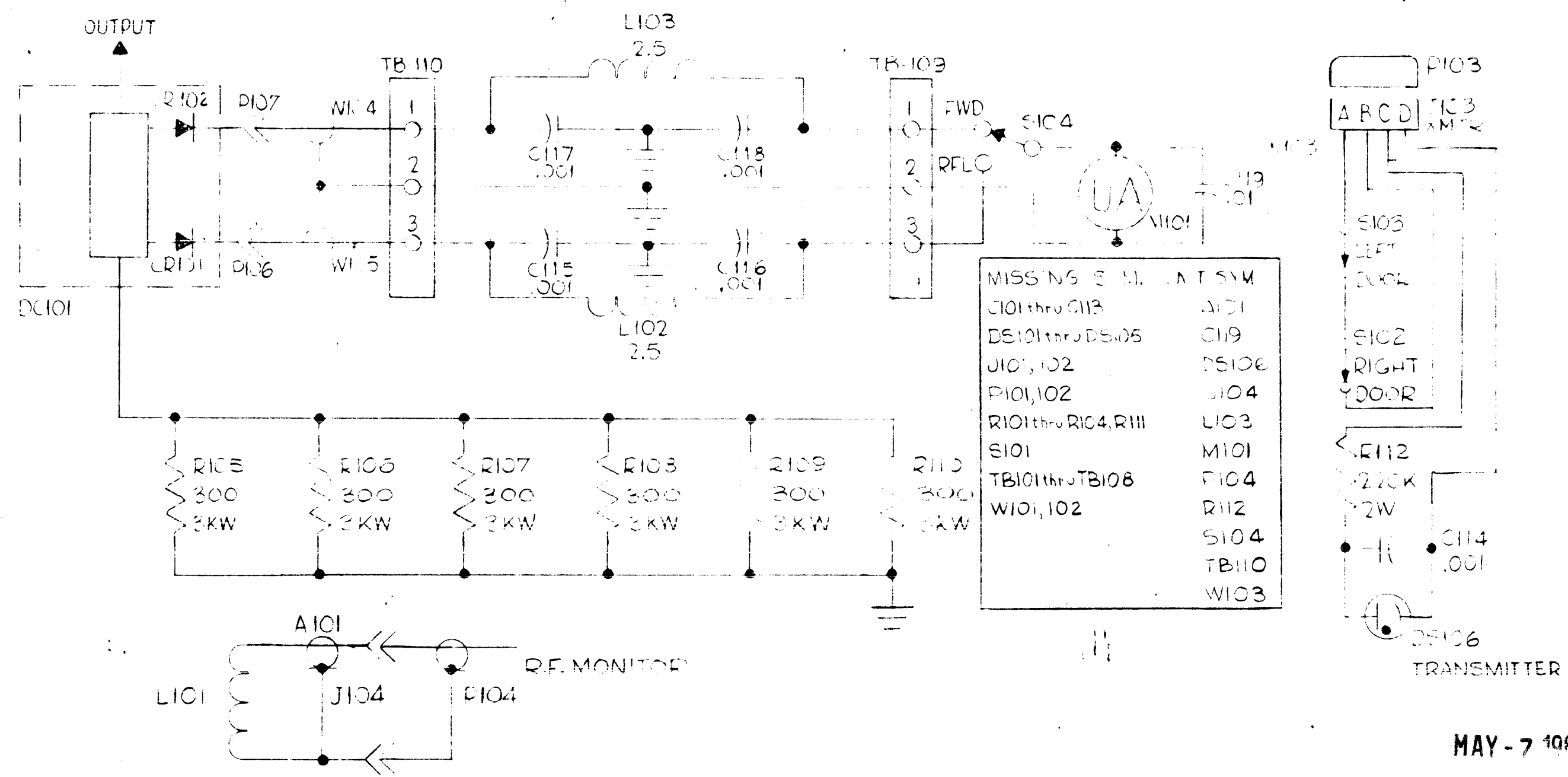
THE TECHNICAL MATERIEL CORPORATION
MAMARONECK, NEW YORK

CABLE
TEPEI
MAMARONECK, N. Y.

- AND ITS SUBSIDIARIES . . .
- TMC (Canada), Ltd., Ottawa, Canada
 - TMC Industrial Corp., Mamaroneck, N. Y.
 - TMC Systems, Inc., Alexandria, Va.
 - TMC Systems, (Texas), Inc., Garland, Texas
 - TMC Systems, (Calif.), Inc., La Mesa, Calif.
 - TMC Systems, (Florida), Inc., Pompano Beach, Fla.
 - TMC Power Distribution, Inc., Alexandria, Va.
 - TMC Systems, A.G., Luzern, Switzerland

CK-548 A

THE CONTENTS OF THIS DRAWING ARE THE EXCLUSIVE PROPERTY OF THE TECHNICAL MATERIEL CORP. ITS UNAUTHORIZED USE OR REPRODUCTION IN WHOLE OR IN PART IS STRICTLY FORBIDDEN.



MISSING S.M.	T.SYM
C101 thru C113	A101
DS101 thru DS105	C119
J101, 102	DS106
P101, 102	J104
R101 thru R104, R111	L103
S101	M101
TB101 thru TB108	P104
W101, 102	R112
	S104
	TB110
	W103

MAY - 7 1962

△ Symbols Revised	23-62	6356	LS	AK	SP	
SYMBOL	DESCRIPTION	DATE	CH. NO.	DRAFTS	CHECKER	ENG. APP.
UNLESS OTHERWISE SPECIFIED:		SCALE:				
DIMENSIONS ARE IN INCHES		MAXIMUM ALLOWABLE TOLERANCES HAVE BEEN DETERMINED AND ANY DEVIATIONS WILL BE CAUSE FOR REJECTION. REMOVE ALL BURRS AND SHARP EDGES				
TOLERANCES ON FRACTIONS ± 1/64 DECIMALS ± .005 ANGLES ± 1/2°		A				

REQ. PER UNIT	1	MODEL	TER-18K-C50	SECTION		ASSY. NO.		DATE	12-20-61
USED ON									

REQ. ITEM	PART NO.	DESCRIPTION	SYMBOL
STOCK SIZE		THE TECHNICAL MATERIEL CORP. MAMARONECK, NEW YORK	
MATERIAL		DIAGRAM, SCHEMATIC	
TYPE & TEMPER	HEAT TREAT. SPEC.	DRAWN	CHECKED
FINISH & SPEC. NO.	ELEC. DES. APP.	MECH. DES. APP.	FINAL APPROVAL
			CK-548 A