



Publication Number: 210325-2

Issue Date: September 1993

## **TECHNICAL MANUAL**

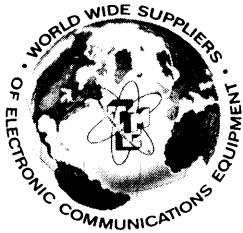
**for**

### **HF Active Vertical Antenna**

### **Model AVA-2**

**The Technical Materiel Corporation**

**Mamaroneck, New York 10543-2300**



Publication Number: 210325-2

Issue Date: September 1993

**TECHNICAL MANUAL**

**for**

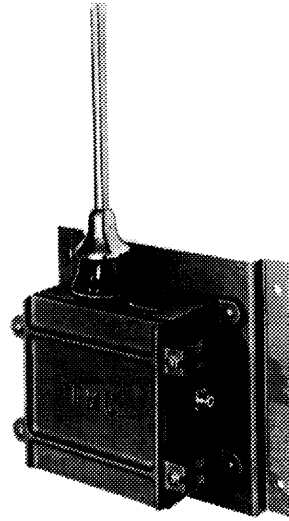
**HF Active Vertical Antenna**

**Model AVA-2**

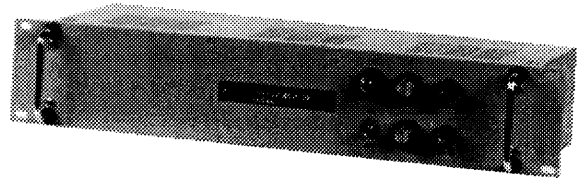
**THE TECHNICAL MATERIEL CORPORATION**  
COMMUNICATIONS ENGINEERS

# Model AVA-2 Active Vertical Antenna

HF ANTENNA (VAA-1)



POWER SUPPLY (PSP-11)



# Table of Contents

---

		Page
<b>Section 1</b>	<b>General Description</b>	
1.1	Functional Description	1
1.2	Physical Description	4
1.3	Technical Specifications	5
1.4	AVA Product Group	6
<b>Section 2</b>	<b>Installation</b>	
2.1	Initial Inspection	7
2.2	Loose Items Supplied	7
2.3	Mechanical Installation	7
2.4	Electrical Installation	10
2.5	Performance Check	11
<b>Section 3</b>	<b>Operation</b>	
3.1	Controls and Indicators	12
3.2	Procedures	12
<b>Section 4</b>	<b>Principles of Operation</b>	
4.1	General	13
4.2	VAA-1 Antenna Assemblies	13
4.3	PSP-11 System Power Supply	14
<b>Section 5</b>	<b>Maintenance</b>	
5.1	General	15
5.2	Preventive Maintenance	15
5.3	Troubleshooting	16
5.4	Repair	17
5.5	Adjustments	17
<b>Section 6</b>	<b>Parts Lists and Diagrams</b>	
6.1	Vertical Antenna Assembly, VAA-1	18
6.2	System Power Supply, PSP-11	19

## List of Illustrations

---

<b>Overleaf</b>	<b>Photographic Prints of AVA-2 Elements</b>
<b>Figure 1.1</b>	<b>Typical Installation</b>
<b>Figure 2.1</b>	<b>VAA-1 Antenna Installation</b>
<b>Figure 2.2</b>	<b>PSP-11 Power Supply Installation</b>
<b>Figure 6.1</b>	<b>VAA-1 Antenna Sub-System</b>

## List of Tables

---

<b>Table 1.1</b>	<b>Semiconductor Complement</b>
<b>Table 3.1</b>	<b>Controls and Indicators</b>
<b>Table 5.1</b>	<b>Troubleshooting Procedures</b>

**THE CONTENTS AND INFORMATION CONTAINED IN THIS INSTRUCTION MANUAL IS PROPRIETARY TO THE TECHNICAL MATERIEL CORPORATION TO BE USED AS A GUIDE TO THE OPERATION AND MAINTENANCE OF THE EQUIPMENT FOR WHICH THE MANUAL IS ISSUED AND MAY NOT BE DUPLICATED EITHER IN WHOLE OR IN PART BY ANY MEANS WHATSOEVER WITHOUT THE WRITTEN CONSENT OF THE CORPORATION.**

**Record of Revisions**

REV 01	_____
REV 02	_____
REV 03	_____
REV 04	_____
REV 05	_____
REV 06	_____
REV 07	_____
REV 08	_____
REV 09	_____
REV 10	_____

## Warranty

---

The Technical Materiel Corporation, hereinafter referred to as TMC, warrants the equipment - except electron tubes, semi-conductor devices, fuses, lamps, batteries, and articles made of glass or other fragile or expendable materials - purchased hereunder to be free from defect in workmanship and materials under normal use and service, when used for the purposes for which the same is designed, for a period of ONE YEAR from the date of delivery FOB factory. TMC further warrants that the equipment will perform in a manner equal to or better than published technical specifications as amended by any additions or corrections thereto accompanying the formal equipment offer.

TMC will replace or repair any such defective items, FOB factory, which may fail within the stated warranty period, provided:

- Any claim of defect under this warranty is made within sixty (60) days after discovery thereof and that inspection by TMC, if required, indicates the validity of such claim to TMC's satisfaction;
- The defect is not the result of damage incurred in shipment from or to the factory;
- The equipment has not been altered in any way either as to design or use whether by replacement parts not supplied or approved by TMC, or otherwise; and
- Any equipment or accessories furnished but not manufactured by TMC, or not of TMC design shall be subject only to such adjustments as TMC may obtain from the supplier thereof.

At TMC's option, any defective part or equipment which fails within the warranty period shall be returned to TMC's factory for inspection, properly packed with shipping charges prepaid and the TMC RETURN AUTHORIZATION number clearly marked on the package. Electron tube warranty claims should be made directly to the manufacturer of such tubes since tubes furnished by TMC bear only the manufacturer's warranty.

No warranties, expressed or implied, other than those specifically set forth herein shall be applicable to any equipment manufactured or furnished by TMC and the foregoing warranty shall constitute the purchaser's sole right and remedy. In no event does TMC assume any liability for consequential damages, or for loss, damage or expense directly or indirectly arising from the use of such equipment, or any inability to use them either separately or in combination with other equipment or materials or from any other cause.

All inquiries should be directed to the following:

THE TECHNICAL MATERIEL CORPORATION

700 Fenimore Road

Mamaroneck, New York 10543-2300 U.S.A.

Telephone 914-698-4800 \* Facsimile (FAX) 914-698-4805

# Section 1 - General Description

---

## 1.1 Functional Description

The AVA-2 Active Vertical Antenna System is essentially an interconnection of two elemental subsystems: 1) an active vertical whip optimized for the 2-32MHz HF region; and 2) a single-output coaxial power supply that provides operating voltages for the active whip over the RF input line.

### 1.1.1 HF Antennas

#### 1.1.1.1 Model Designation

The model number assigned to the AVA-2 antenna/mast assembly is VAA-1.

#### 1.1.1.2 Overview

The antenna assemblies are vertical receiving whips that are used in installations where a convenient broadband device is needed to provide a suitable mast for reception and an impedance match to a monitor receiver operating over a wide receiving range in the 2-32MHz HF spectrum.

#### 1.1.1.3 Physical Characteristics

The VAA-1 assembly is a vertical receiving antenna with an internal pre-amplifier, impedance matching device and optional bandpass filter. It is designed to operate with any receiving device in the 2-32MHz frequency range. The VAA-1 E-field mast is a 16-foot telescoping vertical constructed in three sections of seamless aluminum tubing. Since each section telescopes into the section supporting it, the overall length of the mast can be reduced from 16 feet to approximately six (6) feet in the field. In this manner the mast can be adjusted to the optimum length for the frequency of operation. As an alternative, stainless steel and fixed-length fiberglass antennas are available.

#### 1.1.1.4 Component Assemblies

The VAA-1 antenna assembly consists of four sub-assemblies: the vertical monopole mast mounted directly on a machined post at the top of a cast aluminum case; an internal broadband matching network; a low-pass filter that suppresses out-of-band spurious from broadcast transmitters, etc.; and an RF pre-amplifier with optional overload sense control. The matching network, preamplifier and filter are all housed in the case that is weatherproofed for added protection against severe environmental conditions. A desiccant is used to keep condensed moisture inside the case at a minimum. Note that in the event of a power failure, the preamplifier is automatically bypassed so that communications can be maintained with minimal interruption of service.

#### 1.1.1.5 Preamplifier Module

The preamplifier is a rugged, conservatively-rated linear network which delivers a nominal 15dB gain throughout the operating frequency range of 2-32MHz. It is a broadband unit that accepts input from the receiving antenna and provides a 50-ohm unbalanced output to an associated receiving device. It has a wide dynamic range and low noise characteristic over this range.



#### **1.1.1.6 Bypass Module**

The antenna assembly can be optionally equipped with an RF overload module that is used to detect high-energy fields from the antenna. This module is particularly useful in transmitter-receiver systems that utilize a common antenna. The module acts to by-pass the preamplifier circuits and prevent damage co-located transmitters.

#### **1.1.1.7 Matching Network and Filter**

The matching network used to couple the antenna to the preamplifier assembly has a frequency response which is flat within +/-1.0dB over the operating range. However, it is important to remember that impedance matching over such a wide frequency range, using a fixed-length antenna, is of necessity a compromise. In this case, the optimum match is provided at the approximate mid-point of the frequency band and the efficiency on either side of this point may vary. The optional bandpass filter provides attenuation of such out-of-band spurious as is found in areas where high-power broadcast-band transmitters are operating. This attenuation serves to lower the background noise floor and provide an improved signal-to-noise ratio in a narrower bandwidth.

#### **1.1.1.8 Input/Output Characteristics**

The input and output characteristic impedance is 50 ohms, with a VSWR better than 1.5-to-1. Optionally, 70 ohms impedance can be provided. A change in the characteristic impedance of the antenna will not adversely affect the operation of the preamplifier which provides a nominal 20dB gain across the frequency range.

#### **1.1.1.9 RF Terminations**

Input/output connectors, other than the N-type normally installed, may be substituted depending on the interconnect required at the receiving site. A wide range of terminating connectors are available including BNC, C and UHF.

### **1.1.2 System Power Supply**

#### **1.1.2.1 Model Designation**

The dual-output power supply and regulator used to provide operating voltages for the VAA-1 antenna assemblies is assigned the model number PSP-11.

#### **1.1.2.2 Overview**

The power supply converts a 115/230-volt AC line voltage at 47-63Hz into a regulated (-)24-volt DC supply voltage which is passed to the VAA-1 assembly via the coaxial antenna line. All components used in the power supply are solid state.

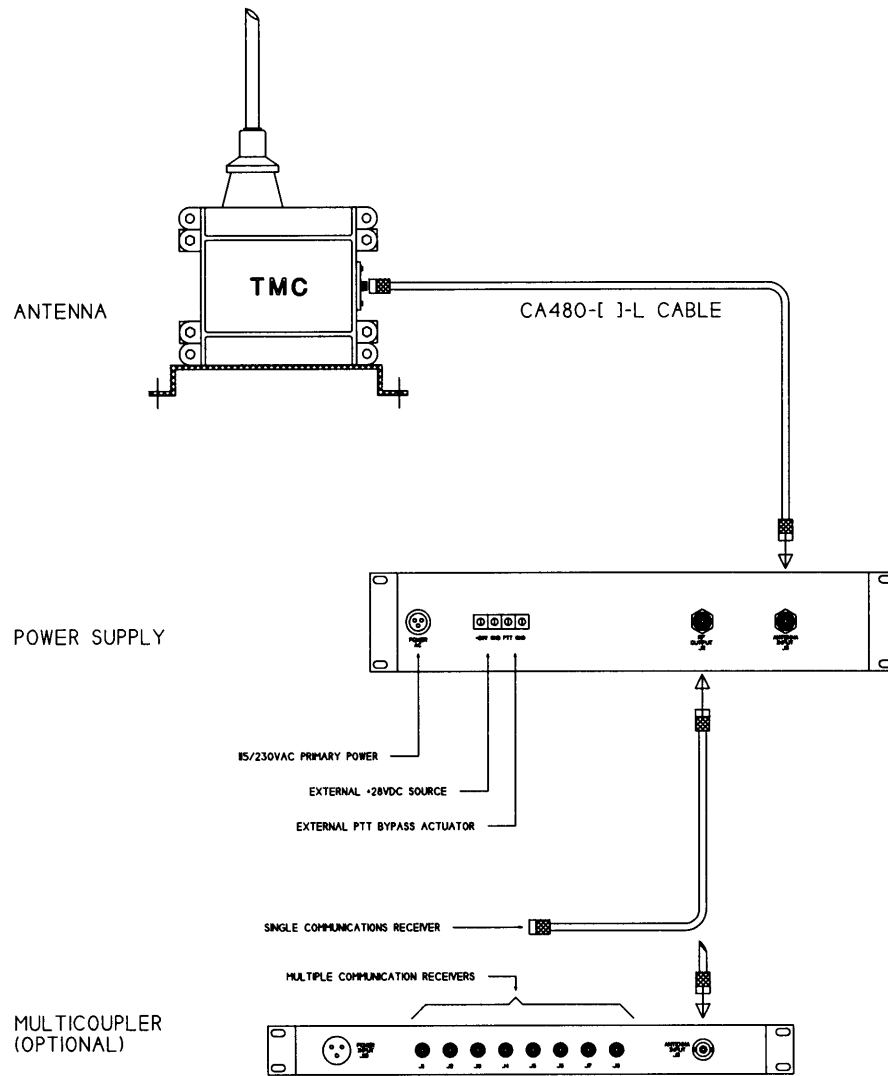


Figure 1.1 Typical Installation

## 1.2 Physical Description

### 1.2.1 PSP-11 Layout

The PSP-11 power supply both mount to a standard 19-inch rack. The operating controls are located on the front panel. The input connector, output connectors and primary power socket are mounted on the rear panel. All electronic components are mounted on printed circuit boards or in the case of larger power supply components, strapped down and securely fastened to an anodized aluminum chassis.

### 1.2.2 VAA-1 Case Layout (Internal)

The preamplifier, matching/filter network and optional overload control mount internally to a standard TMC cast-aluminum alloy case. There are no operating controls on any VAA-1 assembly, all of which are pre-set at the factory for optimum performance. The optional RF overload control module is mounted adjacent to the preamplifier assembly in the same case. The RF input connector is mounted on a plate securely attached to the side of the case. All circuits are mounted on printed circuit boards which are in turn securely fastened to the individual modules. Grounding is provided through the modules to the case which in turn is provided with an external ground lug. An internal spark gap assembly provides protection of the multicoupler and personnel from lightning hazards.

### 1.2.3 VAA-1 Mast Layout

The antenna can be a 16-foot free-standing fiberglass, aluminum or stainless steel whip. The aluminum and stainless-steel antennas are telescopic (one section is inserted into the larger section supporting it) and the fiberglass antennas are in sections that screw securely together.

### 1.2.4 VAA-1 Antenna Mounting

The antenna is mounted directly to an insulated post on top of the cast aluminum case. Due to the placement of the input connector, the case may be mounted vertically (upright) to a horizontal plate for roof-top mounting, vertically to a pole using straps or vertically to a bulkhead using the mounting bolts provided.

### 1.2.5 Semiconductor Complement

A list of the semiconductors used in the AVA-2 are listed in Table 1.1.

Table 1.1 - Semiconductor Complement

PSP-11 Power Supply and Regulator	
Rectifier Bridge	NW10005
Bias Regulator	1N2986

### 1.3 Technical Specifications

High Frequency (HF) Range 2-32MHz; bandpass filtering can be optionally provided.

Input/Output Impedance Nominal 50 ohms, unbalanced. N-type connectors

Insertion Gain Nominal +15dB over operating range.

Frequency Response +/-1.0dB

Offband Rejection Greater than -60dB, DC to 10KHz

Noise Figure Less than +7dB, nominally +5dB.

Phase Differential +/-1 degree maximum, output-output

Desensitization For a 0.4-volt peak input, 10% removed from the operating frequency, a 100 microvolt received signal drops less than 3dB.

Intermodulation Distortion For 50-ohm units: Second order is greater than -60dB for a 0.4-volt input; Third order is greater than -65dB.

VSWR Input is better than 1.5-to-1.

Mean-Time-Between-Failure Nominal 50,000 hours (RADC reliability tables).

Cooling Convection, no fans or moving parts

Ambient Conditions -20°C to +50°C; Up to 95% R.H. Storage -40°C to +80°C

Primary Power 115VAC standard/230VAC optional, 48-400Hz, single phase. PSP-11 is a coaxial power supply that provides -24VDC operating voltage to the preamplifiers located at the base of the LF antenna assembly.

Power Consumption VAA-1 (10watts), PSP-11 (20 watts)

Antenna Mast	16-foot	32-foot	35-foot
Fiberglass	2.0 lbs	n/a	65 lbs
Aluminum	2.5 lbs	55 lbs	n/a
Stainless Steel	4.0 lbs	85 lbs	n/a

#### Size and Weight

VAA-1	Case: 9H x 11.5W x 5.5D inches Antenna: 2.0 dia inches x 16L feet (6'-4" collapsed)
PSP-11	3.5H x 19W x 7D inches, 4lbs (1.8kg)

Line Filters Greater than 40dB attenuation, 14kHz-150MHz.

## Special Features

**Monitoring** Indicating fuseholders display status of primary power circuits. An optional LED indicator is provided when overload RF triggers the preamplifier bypass circuits, removing the VAA-1 preamplifier from the receive RF path.

**Safety** Fuse and front-end overload protection, preventing circuit failure from high RF voltages at the input. High voltage points are covered and labelled.

**Components and Construction** Totally solid state circuits mounted to an aluminum alloy chassis. External hardware is stainless steel. Track slides are optional and due to weight distribution, are usually not required.

**Antenna Case Mounting** Bulkhead or rooftop mount using 13 x 16-inch flanged plate. Optional pole mount direct to case.

### **1.4 AVA Product Group**

AVA-1	LF/HF Active Receiving Antenna
AVA-1-4 [8/16/32]	LF/HF Active Receiving Antenna, 4, 8, 16 or 32-output
AVA-2	MF/HF Active Receiving Antenna
AVA-2-4 [8/16/32]	MF/HF Active Receiving Antenna, 4, 8, 16 or 32-output
AVA-3	VLF/LF Active Receiving Antenna
AVA-3-4 [8/16/32]	VLF/LF Active Receiving Antenna, 4, 8, 16 or 32-output
AVA-4-2X4 [8/16]	Dual-Input VLF/HF Active Receiving Antenna, 2Xn-output
AVA-5	VHF/UHF Active Receiving Antenna
AVA-5-8	VHF/UHF Active Receiving Antenna, 8-output

Input RF Filter Options: (excluding AVA-5 series)

Note: z=5 for 50-ohm operation; z=7 for 70-ohm operation.

/zF2	Low pass filter (fc=2MHz)
/zF4	Broadcast stopband filter (fo=1MHz)
/zF5	HF Bandpass filter, 2-32MHz
/zF6	LF Bandpass filter, 300-600KHz
/zF7	HF High pass filter (fc=2MHz)

Additional Options:

/A	Internal attenuator to reduce gain
/C	C-type coaxial output connectors
/N	N-type coaxial output connectors (standard)
/P	Coaxial power supply, Model PSP-11 (standard)
/T	RF overload transfer control
/U	UHF-type coaxial output connectors

**When ordering, specify both model and option. Example: AVA-2/NP**

# Section 2 - Installation

## 2.1 Initial Inspection

### 2.1.1 General

Every AVA-2 undergoes a thorough testing and calibration prior to shipment. Upon receipt of the system, check each packing case and its contents for obvious damage. Unpack the equipment carefully to reduce the risk of damage and to avoid misplacing any parts shipped as loose items.

### 2.1.2 Damage By Carrier

With respect to equipment damage for which the carrier is liable, TMC will assist in describing methods of repair as well as furnishing replacement parts.

## 2.2 Loose Items Supplied

The following list itemizes those loose items supplied with the AVA-4 system.

Technical Manual	AVA-2	1 each	210325
Power Cable Assembly	PSP-11	1 each	CA555-4
RF Mating Connectors (For RG-8 coaxial cable)	PSP->VAA	2 each	UG 21B/U
Split Washer		4 each	LW537MSS
Plate Mounting Unit		1 each	MS543
Brackets for Mounting Unit		4 each	MS619
Lag Bolts		16 each	SC111-2
Machine Bolts		4 each	SCHH3716
Antenna Post		1 each	PO215

## 2.3 Mechanical Installation

The VAA antenna assembly is designed for mounting on a wall, roof, pole or vehicle. For pole mounting, two straps are required; the necessary lag bolts are provided as loose items. For vertical plane mounting or horizontal plane mounting, a universal mounting plate is provided. This is the configuration provided for in the standard VAA mount. Figures 2.1 and 2.2 depict installation details and outline dimensions, respectively, and should be studied to determine the best mounting for the desired location of the antenna.

# ANTENNA MAST/COUPLER/PREAMPLIFIER UNIT

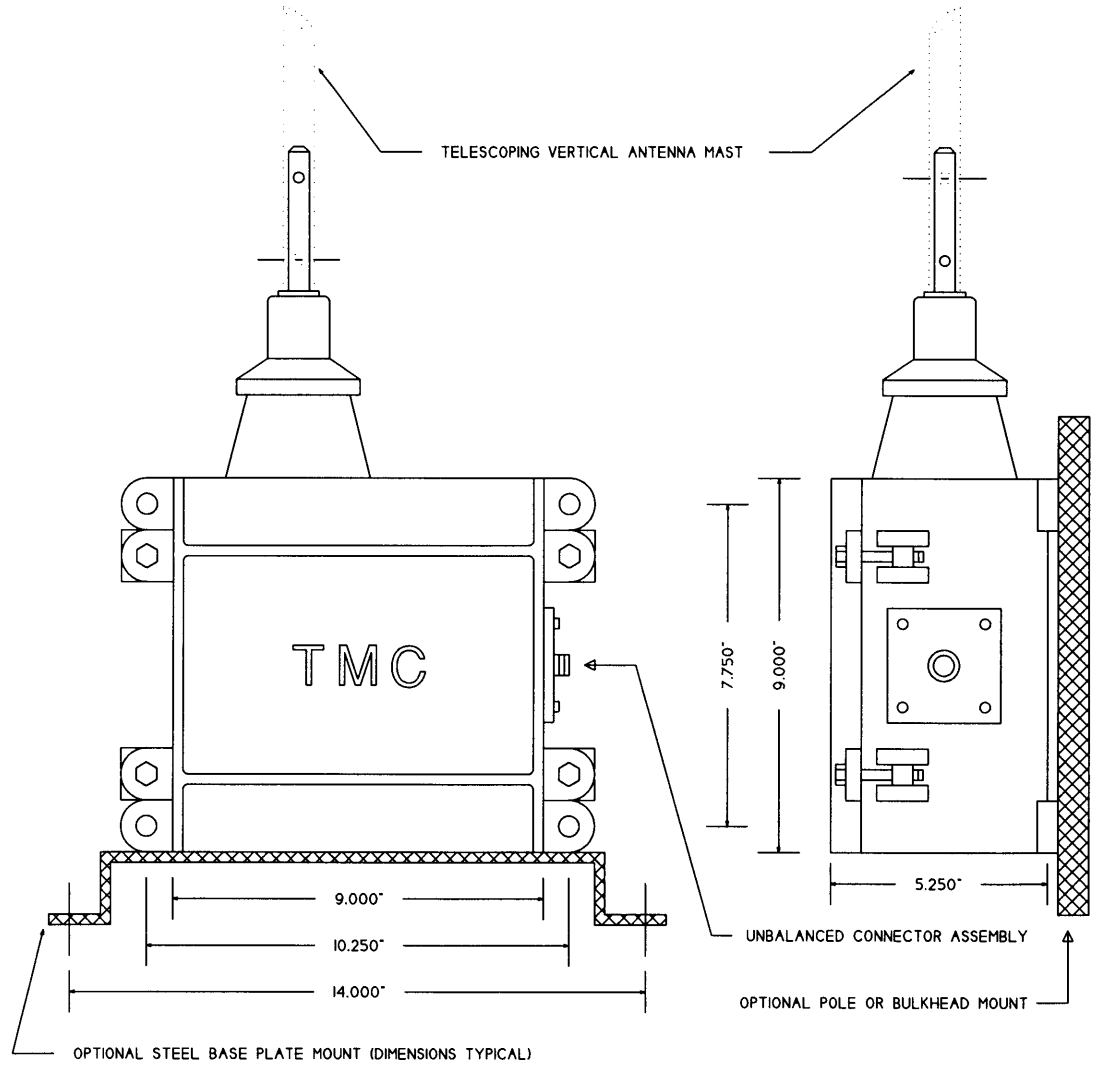


Figure 2.1 VAA-1 Antenna Installation

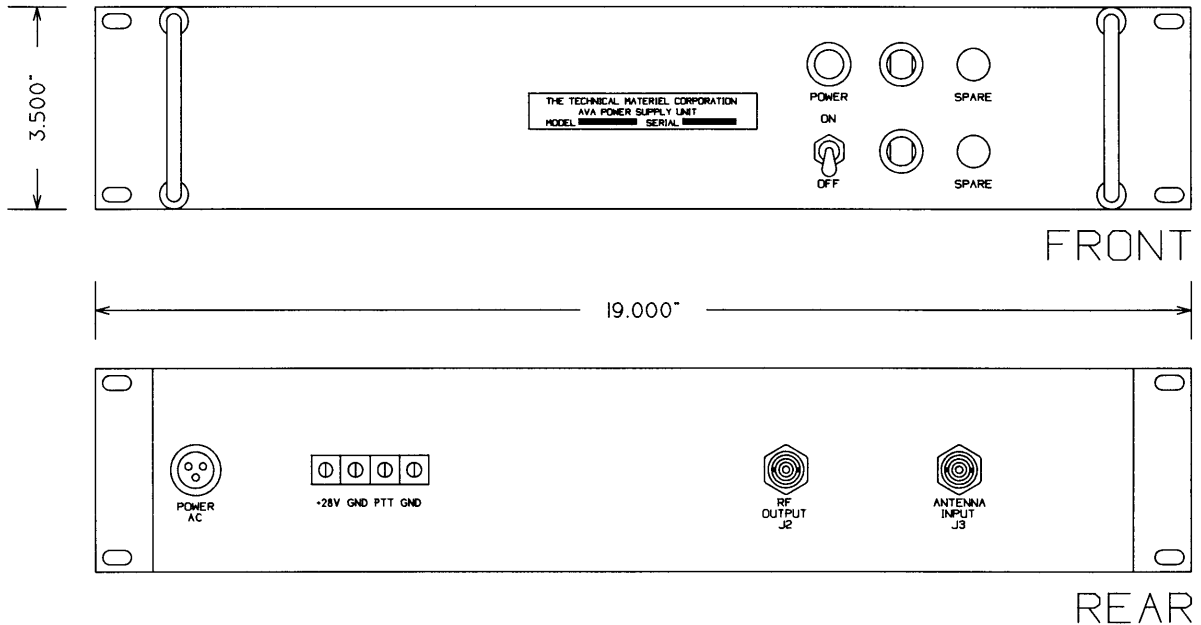


Figure 2.2 PSP-11 Power Supply Installation

## 2.4 Electrical Installation

### 2.4.1 Primary Power

The PSP-11 operates from a 115VAC, 48 to 400Hz power source. Optionally, the unit may be wired for 230VAC, which will be noted by a decal on the rear panel adjacent to the input power connector. Primary power is applied to the PSP-11 through connector J101 on the rear panel. The correct power cables are provided as loose items. See Figure 2.2 for a diagram of the electrical interconnections.

### 2.4.2 External Connections

#### Antenna

The HF antenna cables are fitted with N-type connectors to mate properly with the RF input jack on the PSP-11 unit. The N-type connector on the cable mates to J105 on the PSP-11. All jacks are located on the rear panel of the respective units.

#### Power

Connect primary power by plugging the supplied power cable assembly into POWER connector J101 on the rear panel of the PSP-11. Ensure that the plug is properly oriented with the socket; use the keyway as a guide.

#### Power Supply (RF) Outputs

Connect the RF coaxial outputs of the PSP-11 power supply to the RF coaxial cable terminated with N-type mating connectors (supplied as loose items). This cable is connected to J104 for the LF antenna. The cable terminate at the input connector on the VAA-1 antenna assembly. Mating connectors are also provided as loose items for the VAA end of the coaxial cable (supplied by the customer). All RF connections to the PSP-11 are made on the rear panel.



### **2.4.3 PSP Requirements**

The PSP-11 power supply should be located in such a way that sufficient clearance is obtained at the rear of the unit for making all RF and AC power connections. The front panel controls should also be within easy reach of an operator. The solid state design of the unit reduces heat problems, allowing "stacking" of units, one above the other, in the same rack. Good installation practice dictates that to reduce the possibility of failure from heat-related stresses, the units should have at least one A-panel (1.75 inch) vertical spacing between them to allow dissipation of heat.

### **2.4.4 VAA Requirement**

The antenna is extended or attached in sections, depending on the model selected. The fiberglass sections are screwed together while the aluminum and stainless sections are extended and secured by turning the bushings located along its length. Once extended, the antenna rod must be inserted onto the antenna post located on the top of the antenna case. Align the holes at the base of the rod with the holes on the post. Anchor the antenna with the bolts provided by inserting the bolts in the holes at right angles to each other. This procedure provides both mechanical and electrical connections.

### **2.4.5 Grounding**

Connect the VAA outer case to a good physical ground, preferably a simple counter-poise or at least one eight-foot, copper ground rod imbedded in moist earth. The connector assembly on the side of the case is normally the best location to attach this ground. The PSP unit is grounded through the anodized aluminum chassis to the station grounding system.

## **2.5 Performance Check**

### **2.5.1 PSP-11 Power Supply**

When the appropriate power and RF connections have been made to the PSP-11, turn POWER ON by toggling the front-panel switch 1S1. The POWER lamp will light, indicating that the PSP-11 is operating and voltages are supplied to the VAA-1 antenna assembly. No further checks are required.

### **2.5.2 VAA-1 Antenna**

When the appropriate electrical connections have been made to the VAA-1 antenna, it is fully operational and ready for immediate operation. Since all components are fixed, no adjustments are needed and no further checks are required.

# Section 3 - Operation

---

## 3.1 Controls and Indicators

Table 3.1 contains a list of the operating controls and indicators that are located on the front panel of the PSP-11 power supply unit.

Table 3.1 Controls and Indicators

Power ON/OFF switch	Controls primary power application
POWER lamps	Lights when primary power is applied and switch is turned ON.
FUSE holder/indicator	Indicates failure of fuse by illumination of the fuseholder.
SPARE fuse	Two spare fuses are contained in spare fuseholders located on the front panel.
TRANSMIT indicator (Optional)	An LED indicator is provided on the front panel of the PSP-11. It fires when high RF is detected at the antenna or the PTT line is grounded. The RF overload control circuit is triggered to remove the VAA networks from the received RF signal path.

## 3.2 Procedures

After connecting the antenna cables, communication receivers and power supply, and turning on the POWER switch, no further operating procedures are required. The AVA-2 is now fully operational without further adjustment.

## Section 4 - Principles of Operation

---

### 4.1 General

#### 4.1.1 Capabilities

The AVA-2 VLF/LF Active Receiving Antenna is a broadband monopole antenna system designed to couple one antenna operating the VLF/LF region to the antenna input of a communications receiver operating in that region.

#### 4.1.2 Input/Output

Both the input and the output impedance of the system is a nominal 50 ohms. The standing wave ratio characteristic is better than 1.5-to-1 the frequency range.

#### 4.1.3 Salient Performance Features

The AVA-2 provides a nominal insertion gain of 2-dB from the antenna input to the connected receiver. The complete system is designed to ensure minimum noise generation while providing a high degree of intermodulation rejection. The Technical Specifications listed in the previous section outline these characteristics in detail.

### 4.2 VAA-1 Antenna Assembly

#### 4.2.1 Capabilities

The VAA-1 consists of a receiving RF preamplifier, a matching/filter network and an E-field probe. The preamplifier provides a nominal +15dB gain between the antenna and the receiving device at 50 ohms characteristic impedance. The standing wave ratio is typically better than 1.5-to-1.

#### 4.2.2 Location and Features

The preamplifier is mounted on a printed circuit card which is securely fastened to a tin-plated steel module. It is a low-noise, wideband device with a 50-ohm impedance and a nominal voltage gain of +15dB. Figure 2.1 depicts its location in the mounting case. The module along with the matching/filter network are sealed in a cast aluminum case.

#### 4.2.3 Power Distribution

Operating voltage for the preamplifier module is derived from the PSP-11, an optional -24vdc regulated power supply located at the receiver cabinet. The DC voltage is heavily decoupled to prevent distortion from the rectified power supply.

## **4.3 PSP-11 Power Supply**

### **4.3.1 Location and Features**

The components comprising the power supply are all chassis mounted to a standard 19-inch rack panel. Optionally, the PSP-11 can be mounted in a smaller module for customized fitting to a primary chassis or cabinet.

### **4.3.2 Circuit Analysis**

Primary power is supplied directly to the main power ON/OFF switch. When this switch is in the ON position, power is supplied through two fuses F1/F2 to the power transformer T1 and the front panel indicator lamp DS101. The secondary of transformer T1 produces 29vac, which is full-wave rectified by bridge rectifier CR101, and filtered by capacitors C101 and C102. The -28vdc output is regulated by a 28-volt Zener and fed to a decoupling circuit. This latter circuit is designed to present a direct short to any RF coming from the antenna and to prevent any low-frequency power supply hum from entering the RF path to the antenna. The incoming RF at J102 is shunted directly to the receiver via J103 through C104.

## Section 5 - Maintenance

---

### 5.1 General

#### 5.1.1 Test Equipment Required

This section describes preventive maintenance, trouble-shooting and repair procedures for the AVA-2. The following equipment is suggested in order to perform these procedures properly:

- Function Generator, HP Model 3312A or equal
- Oscilloscope, HP Model 54501A or equal
- Digital Multimeter, HP Model 3468A or equal

#### 5.1.2 Component Location

For aid in the location of components, refer to Section 6.

### 5.2 Preventive Maintenance

#### 5.2.1 General Cleaning Methods

Preventive Maintenance for the AVA-2 consists of such routine functions as visual inspection and cleaning. Periodic cleaning is recommended as dust may build up on components, reducing efficiency and possibly causing circuit failure. To facilitate cleaning, use a vacuum cleaner or a low-pressure filtered compressed-air supply.

#### 5.2.2 Visual Check and Adjustment

A simple visual check when either the power supply or the antenna assembly is opened for servicing or cleaning will often reveal potential trouble spots. Signs of trouble may be found in discoloration, warped printed circuit cards and damaged wiring or cabling. Any deteriorating component should be replaced. All hardware must be checked for tightness during inspections.

#### 5.2.3 Dessicant Replacement or Restoration

The dessicant package held in place inside the VAA-1 case by a flexible metal strap should be changed every six months. If this is not possible, the bag should be removed from the case and dried in an oven for one hour at a temperature of 250oF to remove residual moisture.

## 5.3 Troubl shooting

### 5.3.1 General Failure Symptoms

During operation of the AVA-2, the following failure symptoms may be observed:

- No signal output from a connected receiver
- Weak or noisy signal from a connected receiver

### 5.3.2 Fault Localization

The primary objective of the troubleshooting procedure is to localize the fault to a particular section of the coupler unit. Table 5 provides a guide to locating and correcting the possible failures.

Table 5.1 Troubleshooting Procedures

Symptom: No signal output from a connected receiver

Possible Cause:	Receiver failure
Remedial Action:	Refer to receiver manual
Possible Cause:	Interconnect cable - power supply to receiver
Remedial Action:	Check RF cable between receiver and power supply Check RF cable between power supply and antenna Look for short (ground to center conductor) and repair
Possible Cause:	Power supply failure
Remedial Action:	If POWER ON lamp 1DS1 is not illuminated, check for power input failure. If POWER ON lamp is on, check indicating fuses 1F1/1F2 and replace with spare if necessary. If both fuses are intact, proceed to check transformer 1T1, bridge rectifier 1Z1 and voltage regulator 1A1. -29vDC should be available on the regulator board.
Possible Cause:	Failure of input preamplifier
Remedial Action:	If DC is present at the output of the regulator and at the preamplifier, possible failure of a component in the preamplifier or failure of the input antenna circuit is indicated. For repair of the preamplifier, removal and testing of module 1A2 or 1A3 is necessary.

Symptom: Weak or noisy signal from a connected receiver

Possible Cause:	Receiver noise
Remedial Action:	Refer to receiver manual
Possible Cause:	Noise on system ground
Remedial Action:	The AVA-2 is grounded at the antenna (VAA-1) and the power supply (PSP-11). Determine which ground is noisier and isolate that unit so that the second ground becomes a single system ground point.

## **5.4 Repair**

Repair work generally consists of replacing the defective component. The following cautions should be observed:

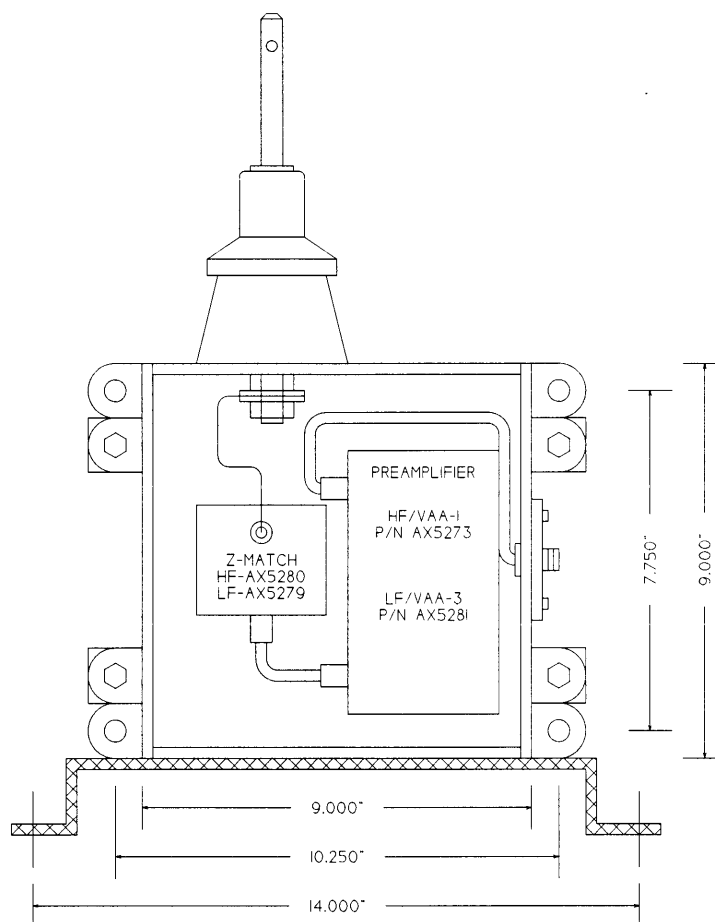
- Make sure the replacement component is an exact duplicate of the defective one. This is particularly important in the preamplifier.
- Place any new component in the same location as the component it replaces. The dressing of any wires should not be altered.
- Observe standard practice when replacing semiconductor components by using a low-wattage soldering iron and appropriate heatsink tools.
- Avoid damage to the printed circuit wiring when handling or repairing amplifier and regulator modules.

## **5.5 Adjustments**

The preamplifier and power supply do not require any adjustment since all components are of fixed values.

## Section 6 - Parts List and Diagrams

### 6.1 Vertical Antenna Assembly, VAA-1



### 6.2 System Power Supply, PSP-11

*(See Following Pages)*



Item Material Listing

Item/Part Number	Rev	Description	Qty	Notes
VAA-1		Vertical Active Antenna, HF		
A5881-2		Amplifier Assbly, HF	1EA	
A5882		Antenna Assembly, VAA-( )	1EA	
A5883		Assembly, HF, Transformer TR219	1EA	

## Item Material Listing

Item/Part Number	Rev	Description	Qty	Notes
A5881-2		Amplifier Assembly, HF / AX5273		
A10812-6		Printed Circuit Board Assembly	1EA	
CC100-32		Capacitor, Fixed, Ceramic	6EA	
CL178		Coil Assembly, RF, Tuned	4EA	
MS5260		Machining, BX238	1EA	
RL197		Relay, Armature	1EA	
TE102-2		Terminal, Turret	7EA	
TE135-2		Spacer	4EA	
UG58/U		Connector Receptacle, N-type	2EA	

Item Material Listing

Item/Part Number	Rev	Description	Qty	Notes
A5882		Antenna Assembly, VAA-( )		
AW100-3		Antenna Mast, Aluminum/3-sec	1EA	
BS100		Solder, Soft	1X	
CA1904		Cable, Coaxial Assembly	1EA	
CA1905		Cable, Coaxial Assembly	1EA	
FW2520HBN		Flat, Washer	4EA	
GA103		Gasket	1EA	
GA136-4		Gasket, Neoprene	1EA	
GA136-3		Gasket, Neoprene	1EA	
GA138-5		Gasket	1EA	
GA149-4		Gasket	1EA	
GL101-2		Cement, Pliobond	1X	
MS545		Base, Mounting	1EA	
MS7260		Plate, Mtg Comp.	1EA	
NS131		Insulator, Stand-off	1EA	
PM100		Nut, Barrel	4EA	
PM105		Cover, Machining	1EA	
PM119		Flange	1EA	
PM717		Case, Machining	1EA	
PO215		Cap	1EA	
PO216		Post, Antenna	1EA	
PX612		Insulator, Support	1EA	
SCHH2520SS32		Screw, Machine	4EA	
UG58A/U		Connector, Receptacle, RF	1EA	
WI131		Wire, Electrical	1X	

## Item Material Listing

Item/Part Number	Rev	Description	Qty	Notes
A5883		Assembly, HF, Transformer TR219		
BS100		Solder, Soft	1X	
BX241		Case, Transformer	1EA	
CE10014		Coil, Form	1EA	
CI104		Core, Ferramic Rod	1EA	
CN100-3		Capacitor, Fixed, Plastic	1EA	
GL106		Compound, Potting	1EA	
NP117		Name Plate	1EA	
NTH0440BN8		Nut, Hexagon, Double Chamfer	2EA	
NTH0632BN8		Nut, Hexagon, Double Chamfer	1EA	
PX104-1-053		Sleeving, Insulation Elect.	1X	
PX104-3-.053		Sleeving, Insulation Elect.	1X	
PX104-2-053		Sleeving, Insulation Elect.	1X	
SCBP0632BN8		Screw, Machine	1EA	
TE101-2		Insulator Assembly, Feed-Thru	2EA	
TE111-1		Terminal Lug, Solder	1EA	
TE111-2		Terminal Lug, Solder	1EA	
TE112-1		Terminal, Locking	2EA	
UG625/U		Connector, Plug, RF	1EA	
WA102-9		Washer, Fiber	2EA	
WI102-9-0		Wire, Electrical	1X	

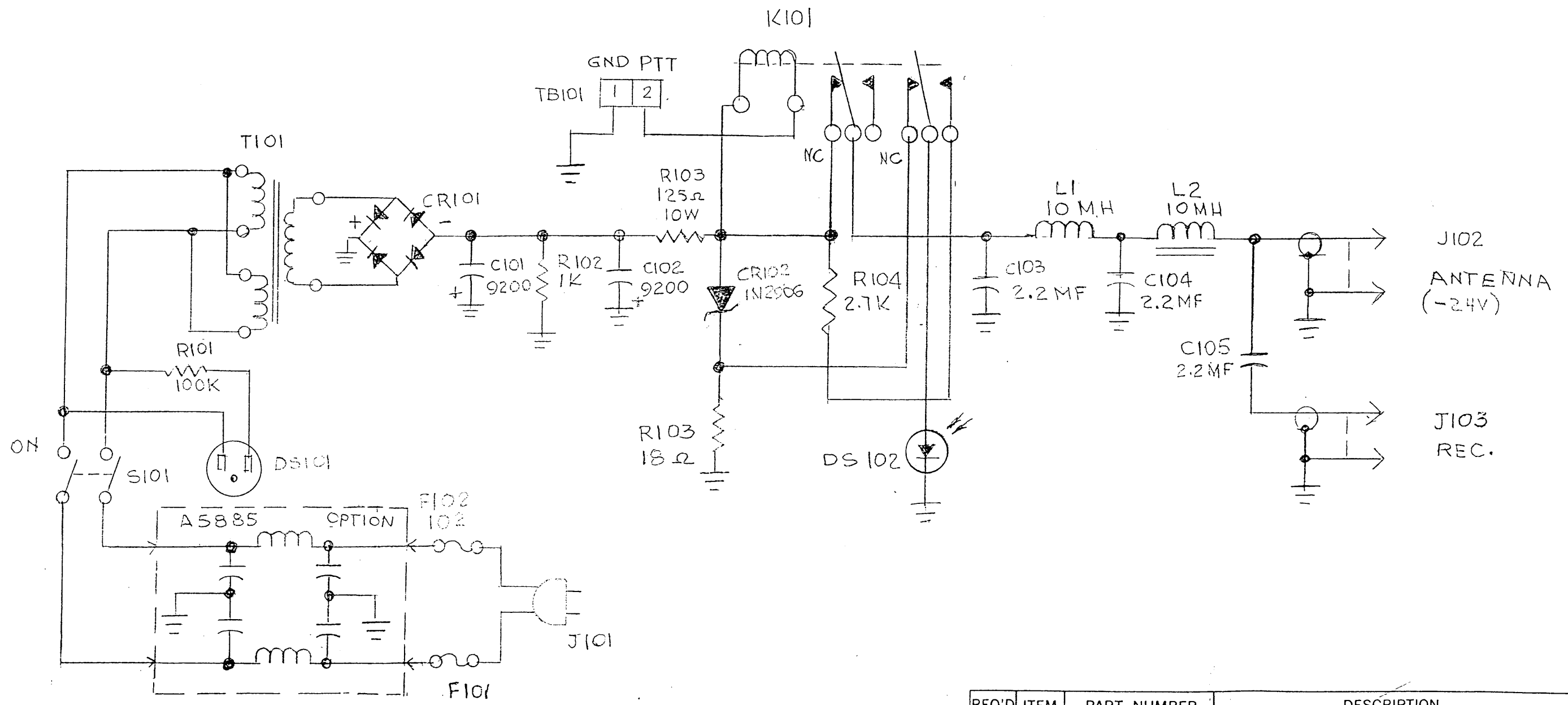
## Item Material Listing

Item/Part Number	Rev	Description	Qty	Notes
PSP-11		Coaxial Power Supply		
1N2986		Diode	1EA	
A5885		Line Filter Assbly, PSP-11	1EA	
BI100-51		Lamp, Glow	1EA	
BI132		Lamp, Incandescent	1EA	
CA1903		Cable Harness	1EA	
CA555-4		Cable Assembly, Electrical	1EA	
CC131-53		Capacitor, Fixed	3EA	
CE112-20		Capacitor, Electrolytic	2EA	
CK2309		Scematic Diagram	1EA	
CL502		Coil Assembly, RF Tuned	2EA	
CU139-2B		Clamp	1EA	
CU145B1		Clamp	2EA	
DD146-3		Rectifier, Semiconductor Dev	1EA	
FH103		Fuseholder	2EA	
FH104-3		Fuseholder	2EA	
FU102-.5		Fuse, Cartridge	2EA	
FU102-1		Fuse, Cartridge	2EA	
HA102-1BN		Handle	2EA	
MS7242/LD3171		Panel, Front	1EA	
MS7241/LD3172		Chassis & Cover	1EA	
PX337-2		Insulator, Therm., Strip	1EA	
RC20GF104J		Resistor, Fixed, Composition	1EA	
RC20GF272J		Resistor, Fixed, Composition	1EA	
RC42GF102J		Resistor, Fixed, Composition	1EA	

## Item Material Listing

Item/Part Number	Rev	Description	Qty	Notes
PSP-11		Coaxial Power Supply		
RC42GF180J		Resistor, Fixed, Composition	1EA	
RL197		Relay, Armature	1EA	
RW109-10		Resistor, Fixed, Wire-Wound	1EA	
ST22K		Switch, Toggle	1EA	
TF443		Transformer	1EA	
TM100-2		Terminal Board, Barrier	1EA	
TS106-2		Light, Indicator	1EA	
UG21B/U		Connector, Plug, RF	2EA	
UG58A/U		Connector, Receptacle, RF	2EA	

REVISIONS							
E.M.N. NO.	DRAFT	CHKD	ZONE	LTR	DESCRIPTION	DATE	APPROVED
	G.D.L			Ø	ORIGINAL RELEASE	12-3 90	
	G.D.L			A	REVISED & UPDATED	6-16-92	



REQ'D	ITEM	PART NUMBER	DESCRIPTION	SYM.
LIST OF MATERIAL				
THE TECHNICAL MATERIEL CORP. MAMARONECK, NEW YORK				
SCHEMATIC DIAGRAM POWER SUPPLY (HF/VLF)				
SIZE	CODE IDENT. NO.	DWG NO.	ISSUE	
B	82679	CK 2309	A	
SCALE	SHEET		OF	

1	AVA-3 PAL-15	AVA-2 PSP-11
QTY / UNIT	MODEL USED ON	ASS'Y NO.
APPLICATION		
	CODE	

**NOTICE TO PERSONS RECEIVING THIS DRAWING**  
 THE TECHNICAL MATERIEL CORPORATION claims proprietary right in the material disclosed hereon. This drawing is issued in confidence for engineering information only and may not be reproduced or used to manufacture anything shown hereon without permission from THE TECHNICAL MATERIEL CORPORATION to the user. This drawing is loaned for mutual assistance and is subject to recall at any time.

UNLESS OTHERWISE SPECIFIED  
 DIMENSIONS ARE IN INCHES  
 AND INCLUDE CHEMICALLY APPLIED  
 OR PLATED FINISHES

DECIMALS: .X ± .05, .XX ± .01, .XXX ± .005  
 FRACTIONS: 1/64  
 TOLS. ANGLES: 0°-30'

MATERIAL

FINISH

FINAL APPROVAL: *[Signature]* DATE: 12/27/92  
 MECH. DES. DATE:  
 ELECT. DES. DATE:  
 CHECKED DATE:  
 DRAWN: G.D.L. DATE: 12-27-90

## Some of our Customers . . .

Communications equipment manufactured by TMC has been purchased for use in a large number of organizations and countries throughout the free world. In addition, TMC is a large-volume producer of communications equipment for the worldwide commercial, government and defense markets. Active sites using TMC products are depicted on the world locator map. A partial list of customers indicates how widely accepted TMC products and services have become.

### Government and PTT Organizations

Greece, Italy, Switzerland, Spain, Portugal, Turkey, Kenya, Morocco, Liberia, Saudi Arabia, Pakistan, Korea, Indonesia, Canada, United States, Australia, Papua New Guinea, New Zealand, Nepal, Singapore, Thailand

### Civil Aviation Agencies

Belgium, France, Spain, Greece, Chile, Brazil, Turkey, Italy, Pakistan, Algeria, Saudi Arabia, Liberia, Kenya, Zambia, Canada, United States, Phillipines

### The United Nations

### NATO Procurement Agencies (Europe)

### International Corporations

American Telephone & Telegraph (ATT), International Telephone & Telegraph (ITT), General Telephone & Electronics (GTE), Contel-Page Communications, Marconi, Racal, Rockwell International/Collins, Harris/RF Communications, General Electric/RCA, Raytheon Service, Bell Canada, Arabian-American Oil (Aramco), Air Canada, Pan American Airways, Continental Electronics, Thomson CSF, General Dynamics, Lockheed Aircraft, Sandia, Western Electric

### Military and Defense Forces

Norway, Denmark, West Germany, Belgium, France, Italy, Spain, Portugal, Greece, Turkey, United Kingdom, Algeria, Saudi Arabia, Nigeria, Kenya, Pakistan, United States, Canada, Thailand, New Zealand, Australia, India

## Complete Families of TMC Products

### COMMUNICATIONS EQUIPMENT

<b>Systems</b>	<b>SYM</b>			Transportable/Contingency Communications
<b>Transmitters</b>	<b>GPT</b>	<b>HFT</b>		High Frequency Sideband Transmitters
	<b>LFT</b>	<b>MFT</b>	<b>BCT</b>	Broadcast, LF and MF Transmitters
<b>Exciters</b>	<b>MMX</b>	<b>LFE</b>	<b>SBG</b>	Multi-mode LF/MF/HF Synthesized Exciters
	<b>STE</b>	<b>SME</b>		Multi-mode Multi-Channel Exciters
<b>Receivers</b>	<b>GPR</b>	<b>STR</b>	<b>SMR</b>	Synthesized and Multi-Channel Receivers
<b>Transceivers</b>	<b>TTR</b>			High Frequency Synthesized Transceivers

### COMPUTER PRODUCTS

<b>Remote Control</b>	<b>TCR</b>	<b>TCS</b>	<b>RMC</b>	Remote Monitor and Control Systems
<b>Security Systems</b>	<b>SCS</b>			Security Monitor and Control Systems
<b>Software</b>	<b>TMC</b>			Network Monitor and Control Software

### ANTENNA PRODUCTS

<b>Antennas</b>	<b>ARA</b>	<b>VRA</b>	<b>VTA</b>	Vertical Receiving/Transmitting Antennas
	<b>DPA</b>	<b>RBA</b>	<b>SVA</b>	Dipole, Rhombic, Sloping-V Antenna Systems
	<b>VDA</b>	<b>VOA</b>		Directional/Omnidirectional VHF Antennas
<b>Tuners</b>	<b>ATS</b>	<b>ATU</b>	<b>MAT</b>	Antenna Tuners and Tuning Systems
<b>Couplers</b>	<b>RAC</b>	<b>TRC</b>	<b>DAC</b>	Receiving/Transmitting Antenna Couplers
<b>Multicouplers</b>	<b>AMC</b>	<b>LMC</b>	<b>VMC</b>	Receiving Antenna Multicouplers
<b>Filters</b>	<b>LPF</b>	<b>RFP</b>	<b>TFP</b>	Low Pass, Harmonic and Receiving Filters

### CONNECTOR PRODUCTS

<b>Patch Panels</b>	<b>SPP</b>	<b>QDP</b>	<b>JPP</b>	Switching/Quick-Disconnect Patch Panels
<b>RF Connectors</b>	<b>CA</b>	<b>AX</b>	<b>TCA</b>	RF Cables and Connector Assemblies
	<b>PL</b>	<b>ES</b>	<b>SW</b>	Plugs, Switches, End Seal Assemblies



## "The World-Wide System of Remote Controlled Communications"



Locations of TMC Communication Installations Throughout The World

Mamaroneck, NEW YORK \* Washington, DC \* Dayton, OHIO \* San Diego, CALIFORNIA  
Ottawa, Ontario, CANADA

UNITED KINGDOM \* NORWAY \* FRANCE \* WEST GERMANY \* SWITZERLAND \* ITALY  
GREECE \* PORTUGAL \* SPAIN \* ALGERIA \* SAUDI ARABIA \* TURKEY \* CYPRUS  
EGYPT \* NIGERIA \* ALGERIA \* LIBERIA \* KENYA \* KUWAIT \* TANZANIA \* INDIA  
PAKISTAN \* BURMA \* THAILAND \* TAIWAN \* KOREA \* SRI LANKA \* SINGAPORE  
AUSTRALIA \* NEW ZEALAND \* MALAYSIA \* NEPAL \* BRAZIL \* CHILE \* PERU  
ARGENTINA \* ECUADOR \* BOLIVIA \* MEXICO \* VENEZUELA \* URUGUAY

---

## The Technical Materiel Corporation

700 Fenimore Road  
Mamaroneck, New York 10543-0142 U.S.A.



---

Customer Service: 914-698-4800/Telex 137358