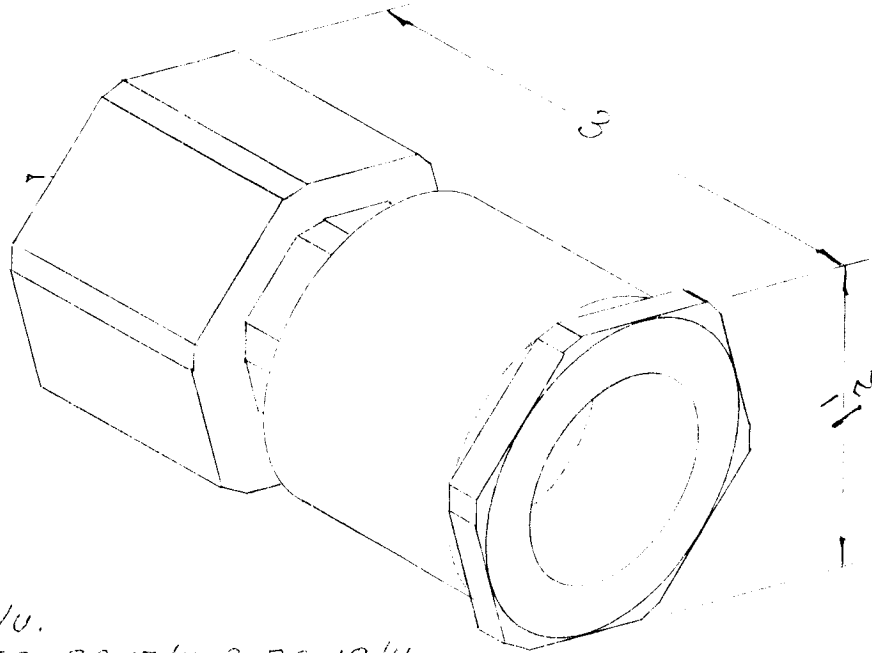


REQ. PER UNIT	E-494-P		USED ON		UG-154/U	A
	MODEL		ASS'Y. NO.	DATE		
			AX-287			

OBSOLETE

SEE MS91604
(MIL-C-3650A)

1 1/4" - 18 INTERNAL THD.



NOTE:

1. MATES WITH UG-352/U.
2. FOR USE WITH CABLES RG-17/U & RG-18/U.
3. THE INSULATION AND CENTER CONTACT ARE PROVIDED BY THE DIELECTRIC AND CENTER CONDUCTOR OF THE CABLE.

REF: AMPHENOL CORP. CAT. NO. 82-59

REQ.	ITEM	PART NO.	DESCRIPTION				SYMBOL	
			THE TECHNICAL MATERIEL CORP. MAMARONECK. NEW YORK					
			STOCK SIZE					
			PLUG, CONNECTOR					
A			MATERIAL					
ISSUE	ITEM	CHANGED FROM	DATE	CH. NO.	DRAFTS	CHECKER	ENG. APP.	
		OBSELETE NOTE ADDED	6-5-67	18263	206	RHJ		
TOLERANCES			SCALE:					
DEC. DIM. ±			MAXIMUM ALLOWABLE TOLERANCES HAVE BEEN DETERMINED AND ANY DEVIATIONS WILL BE CAUSE FOR REJECTION. REMOVE ALL BURRS AND SHARP EDGES					
FRAC. DIM. ±								
ANGULAR DIM. ±								
TYPE & TEMPER		HEAT TREAT. SPEC.	DRAWN	CHECKED	FINAL APPROVAL			
					A.J.J.			
FINISH & SPEC. NO.		ELEC. DES. APP.	MECH. DES. APP.	UG-154/U				A