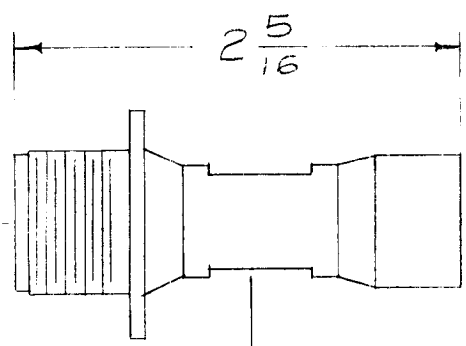
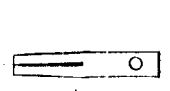


REQ. PER UNIT	USED ON			UG-61*/U A
	MODEL	ASS'Y. NO.	DATE	



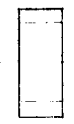
Body



Contact



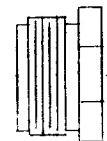
Clamp



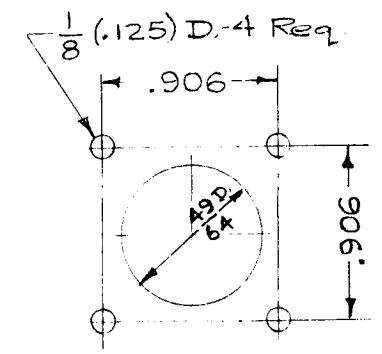
Gasket



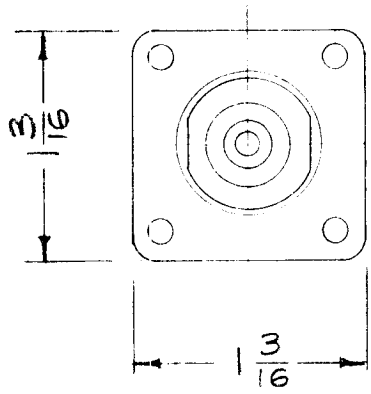
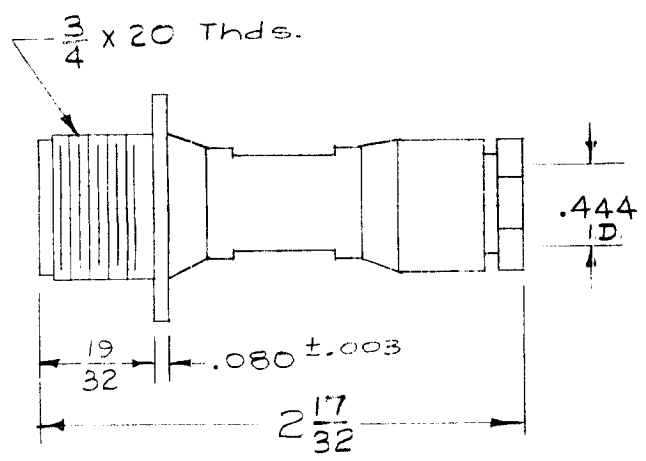
Washer



Nut



MOUNTING DETAIL



DIELECTRIC — Teflon
 CABLES — RG-8, 9, 10, 1/4
 NOM. IMP. — 50 Ω Constant
 PEAK VOLT — 5000V.
 IN ACC. WITH MIL-C-3643 & Amend.
 WEATHERPROOF

Note - Dimensions for ref. only (Except Mtg.)
 (For Mating Cap & Chain, See HB-108)

Ref - CANNON PLUGS - Diamond Div. # DIC-1043

REQ.	ITEM	PART NO.	DESCRIPTION				SYMBOL
			THE TECHNICAL MATERIEL CORP.				
			MAMARONECK. NEW YORK				
			CONNECTOR, RECEPTACLE, FEMALE				
			(HN Series)				
			16 ^{12/31/57}	<i>[Signature]</i>	<i>[Signature]</i>	<i>[Signature]</i>	
			TYPE & TEMPER	HEAT TREAT. SPEC.	DRAWN	CHECKED	FINAL APPROVAL
					<i>[Signature]</i>	<i>[Signature]</i>	UG-61*/U A
			FINISH & SPEC. NO.		ELEC. DES. APP.	MECH. DES. APP.	