

IF IT IS FOUND DESIRABLE TO CHANGE ANY TOLERANCE OR OTHER DETAIL SPECIFIED ON THIS DRAWING NOTIFY THE PURCHASER PROMPTLY.

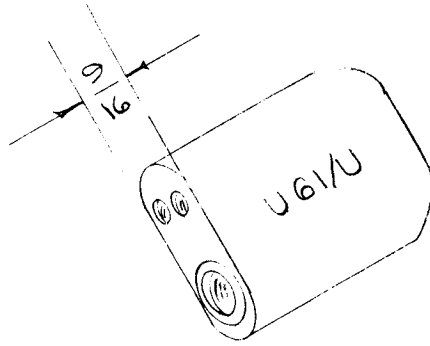
STANDARD DRAWING

U61/U A

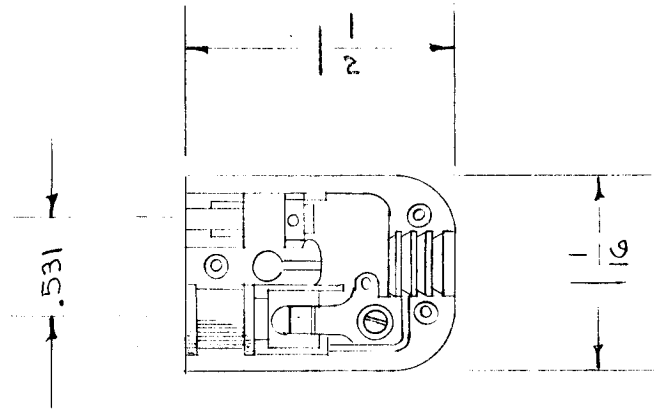
MAXIMUM ALLOWABLE TOLERANCES HAVE BEEN DETERMINED AND DEVIATIONS WILL BE CAUSE FOR REJECTION. REMOVE ALL BURRS AND SHARP EDGES

USED ON

MODEL	PROJECT NO.	ASS'Y. NO.	DATE
-------	-------------	------------	------



SHELL - PHENOLIC
CONTACT SPRINGS - BERYLLIUM COPPER



DIM. FOR REF. ONLY

MATING JACK U73/U

REQ.	ITEM	PART NO.	DESCRIPTION	SYMBOL
		#	THE TECHNICAL MATERIEL CORP. MAMARONECK. NEW YORK	
		STOCK SIZE		
		#	PLUG, HEADSET CORD	
		MATERIAL		
		#		
		WEIGHT PER PC.		
		#		
		TYPE & TEMPER	C.D.D. 1-12-54	
		#	DRAWN	ELEC. DES. APP. MECH. DES. APP.
		HEAT TREAT. SPEC.	<i>ADD</i>	<i>USE</i>
		#	CHECKED	FINAL APPROVAL
		FINISH & SPEC. NO.		U61/U A

A	1	REDRAWN-DETAIL ADDED	1-12-54	1	C.D.D.	<i>ADD</i>	<i>ADD</i>
ISSUE	ITEM	CHANGED FROM	DATE	CN. NO.	DRAFTS	CHECKER	ENG. APP.

TOLERANCES		SCALE	#
ALL OTHERS	DEC. DIM. ± FRAC. DIM. ± ANGULAR DIM. ±	DRILL, PUNCH, COMMERCIAL STOCK SIZES AND MANUFACTURERS TOLERANCES ARE NOT INCLUDED.	