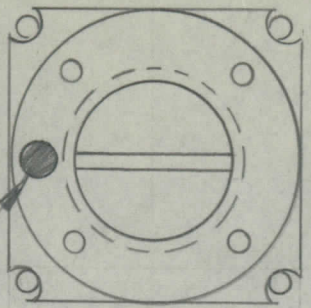


IF IT IS FOUND DESIRABLE TO CHANGE ANY TOLERANCE OR OTHER DETAIL SPECIFIED ON THIS DRAWING NOTIFY THE PURCHASER PROMPTLY.

DIMENSIONS IN INCHES UNLESS OTHERWISE SPECIFIED

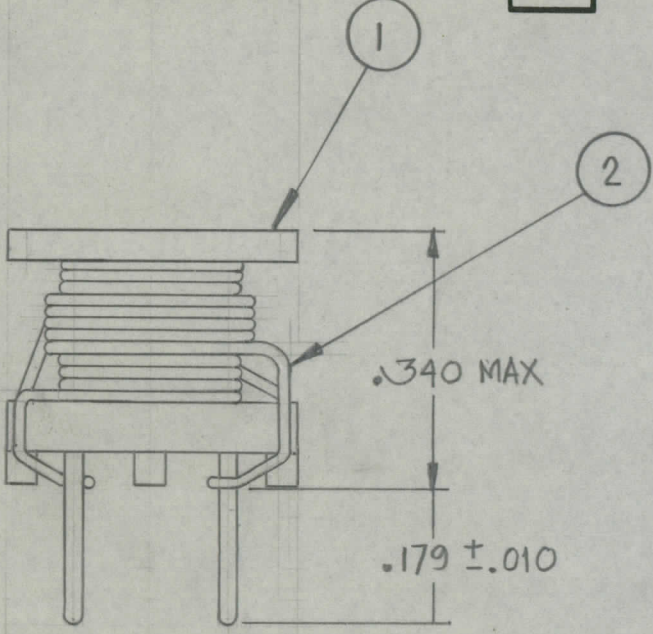
MAXIMUM ALLOWABLE TOLERANCES HAVE BEEN DETERMINED AND DEVIATIONS WILL BE CAUSE FOR REJECTION REMOVE ALL BURRS AND SHARP EDGES

ISSUE	ITEM	CHANGED FROM	DATE	CN NO	DRAFTS	CHECKER	ENG. APP.
0		PROD. REL	10 AUG 73		pm	YFL	

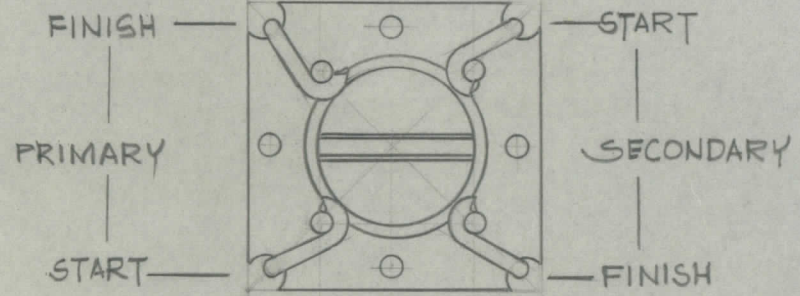
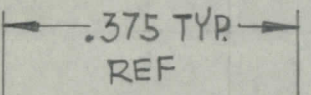


RED DOT TO DENOTE PRIMARY SIDE

TZ10005-0



PART NO.	NO. OF TURNS	
	PRIMARY	SECONDARY
TZ10005-1	12 3/4	3 1/4
TZ10005-2	12 3/4	3 3/4



REQ	ITEM	PART NO.	DESCRIPTION	SYMBOL
*	1	CF10015	COIL FORM MAGNET	
	A/R 2	WI-123-28	WIRE, ELEC. TRANSFORMER	
	A/R 3	GL 104-2	LACQUER	

NOTES

1. WIND PRIMARY TURNS EVENLY ON COIL FORM ITEM 1 & WIND SECONDARY TURNS OVER PRIMARY TURNS.
2. COAT COIL (PRIMARY & SECONDARY TURNS) WITH LACQUER ITEM 3 AFTER ASSEMBLY & BAKE.

* REF. CAMBION PART NO. 534-4723-4

TOLERANCES UNLESS OTHERWISE SPECIFIED	SCALE: 4:1
ALL OTHERS	DRILL, PUNCH, COMMERCIAL STOCK SIZES AND MANUFACTURERS TOLERANCES ARE NOT INCLUDED
DEC. DIM. ± 1/64	.X = .05
FRAC. DIM. ± 1/64	.XX = .01
ANGULAR DIM. ± 0°30'	.XXX = .005

MMX (13	110/71	A11077-5	10 AUG 73
MODEL	PROJECT NO	ASS Y. NO.	DATE

STOCK SIZE		TMC (Canada) LIMITED OTTAWA ONTARIO	
MATERIAL	WEIGHT PER PC	RF TRANSFORMER	
TYPE & TEMPER		pm	
HEAT TREAT SPEC		DRAWN	ELEC. DES. APP. MECH. DES. APP.
		YFLEE	
		CHECKED	FINAL APPROVAL
FINISH & SPEC NO.		TZ10005-0	