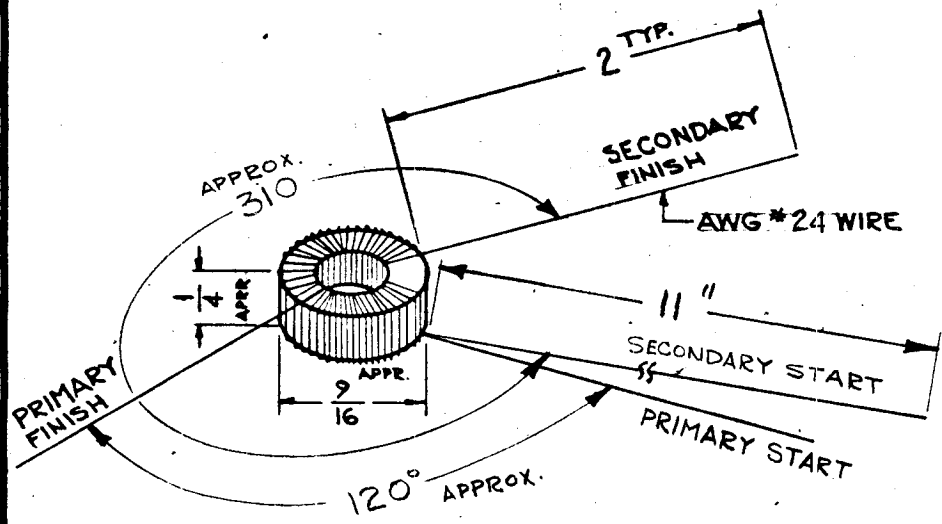
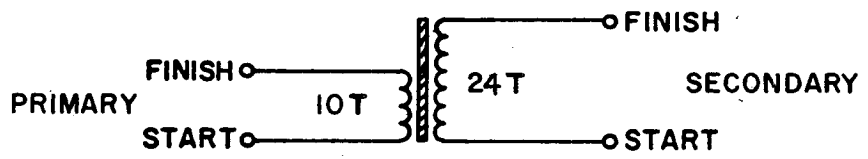


THE CONTENTS OF THIS DRAWING ARE THE EXCLUSIVE PROPERTY OF THE TECHNICAL MATERIEL CORP. ITS UNAUTHORIZED USE OR REPRODUCTION IN WHOLE OR IN PART IS STRICTLY FORBIDDEN.

REQ. PER UNIT	USED ON			TZ 178	A
	MODEL	ASSY. NO.	DATE		
1	HFR-1A		3-10-64		
1	HFR-2		3-10-64		



SCHMATIC DIAGRAM



ELECTRICAL SPECIFICATIONS

SECONDARY ~ $L = 2.64 \mu h \pm 0.07 \mu h$
 WITH COIL CLAMPED INTO Q-METER 1/2" AWAY FROM TERMINALS, WITH START END OF COIL TO LOW SIDE.
 $Q = 200$ MIN. AT 7.9 MC
 C DISTRIB = $0.8 \mu f$ (FOR REF ONLY)

PRIMARY ~ $L = 0.77 \mu h \pm 0.04 \mu f$
 C DISTRIB = $2.1 \mu f$ (FOR REF ONLY)
 $Q = 85$ MIN AT 10 MC

* NOTE: USE TMC COIL STANDARDS FOR TEST REFERENCE.

MODEL	REQ	FUNCTION	FREQ (MC)	SYMBOL
HFR-1A	1	BAND #4	6-8 MC	T1005
HFR-2	1	BAND #4	6-8 MC	T1005

SYM	DESCRIPTION	DATE	CH. NO.	DRAFTS	CHECKED	ENG. APP.	REQ. ITEM	PART NO.	DESCRIPTION	SYMBOL	
A	NOTE ADDED	1-12-67	17575	RME	G.D.L.				THE TECHNICAL MATERIEL CORP. MAMARONECK, NEW YORK	TRANSFORMER, ANTENNA BAND 4, FREQ. 6-8 MC	
Q	ORIGINAL RELEASE FOR PRODUCTION	8-13-64	Q	Rosen							
X	EXPERIMENTAL RELEASE	3-26-64		Schu							
UNLESS OTHERWISE SPECIFIED:		SCALE: NONE		IA 3530					G.D.L.	@	Rosen
DIMENSIONS ARE IN INCHES		MAXIMUM ALLOWABLE TOLERANCES HAVE BEEN DETERMINED AND ANY DEVIATIONS WILL BE CAUSE FOR REJECTION.		REMOVE ALL BURRS AND SHARP EDGES							
TOLERANCES ON											
FRAC. $\pm 1/64$ DEC. $\pm .005$ ANGLES $\pm 1/20$									J. Auger		
											TZ 178
											A