

THE CONTENTS OF THIS DRAWING ARE THE EXCLUSIVE PROPERTY OF THE TECHNICAL MATERIEL CORP. ITS UNAUTHORIZED USE FOR REPRODUCTION IN WHOLE OR IN PART IS STRICTLY FORBIDDEN.

REQ. PER UNIT

1

USED ON

MODEL

TTR-10

ASS'Y. NO.

AX-412

DATE

5-21-63

TZ-119

A

SYMBOL	FUNCTION	OPER. FREQ.	USED ON	QUAN.
T1401	IFT Tank	16 - 32 mc.	AX-412	1

SPECIFICATIONS

WINDING DATA: INDUCTANCE: .34 ± .05 uhy (BLK-BLU)
.11 ± .05 uhy (BLK-GRN)

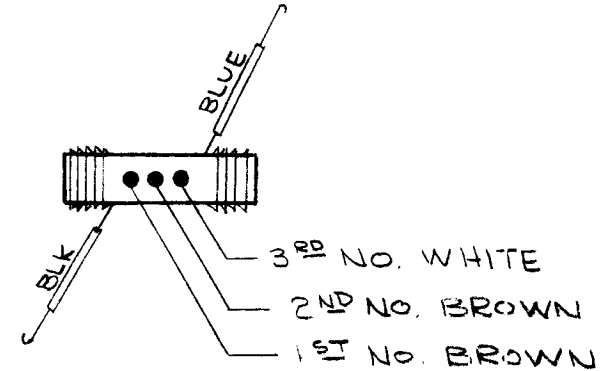
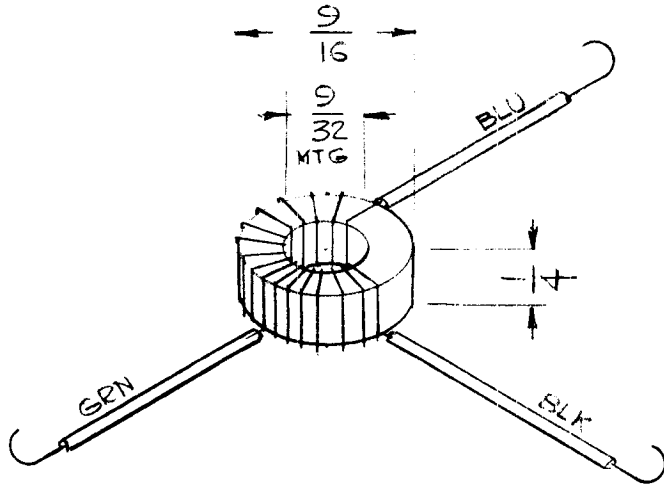
Total Turns - 8

Turns At Tap - 3

COIL FORM: Powdered Iron

LEADS: Size 20 Wire, 1-1/2 Long

COLOR CODE



NOTE:
COLORS DENOTE
"TZ" NUMBER IN
RETMA. COLOR CODE.

REQ.	ITEM	PART NO.	DESCRIPTION	SYMBOL
			KOHL	
STOCK SIZE			THE TECHNICAL MATERIEL CORP. MAMARONECK, NEW YORK	
MATERIAL			TRANSFORMER, R.F., IFT	
SCALE			16 - 32 MC.	
TYPE & TEMPER			G.D.L. <i>JD</i> 5/28/63	
HEAT TREAT. SPEC.				
DRAWN				
CHECKED				
FINISH & SPEC. NO.				
ELEC. DES. APP.				
MECH. DES. APP.				
UNLESS OTHERWISE SPECIFIED DIMENSIONS ARE IN INCHES AND INCLUDE CHEMICALLY APPLIED OR PLATED FINISHES				
TOLERANCES				
DECIMALS				
FRACTIONS				
CODE				
2A-3157				
ELEC. DES. APP.				
MECH. DES. APP.				
TZ-119				
A				