

0	REL TO PROD.	MAY 14/68	AD	YW
---	--------------	-----------	----	----

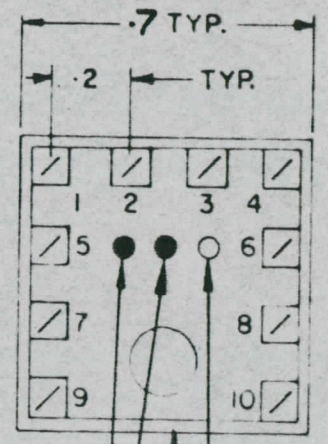
TT10007-42B

1	1	BPI0002-1	MODU - CON
1	2	CI-10011-1-Q2	CORE
AR	3	WI-122-32	WIRE MAGNET
1	4	NPI0157	NAMEPLATE
AR	5	GL130	Q-DOPE
AR	6	GL10005-3110 H	ENCAPSULANT
AR	7	WL 100-8	WIRE, BUSS
	8		
	9		
	10		
	11		
	12		

NOTE:-  
 1- COLOUR CODE INDICATES LAST TWO DIGITS AND LETTER IN TMC PART NO.  
 2- \* -INDICATES POSITION OF NAMEPLATE.

ASSEMBLY INSTRUCTIONS:-

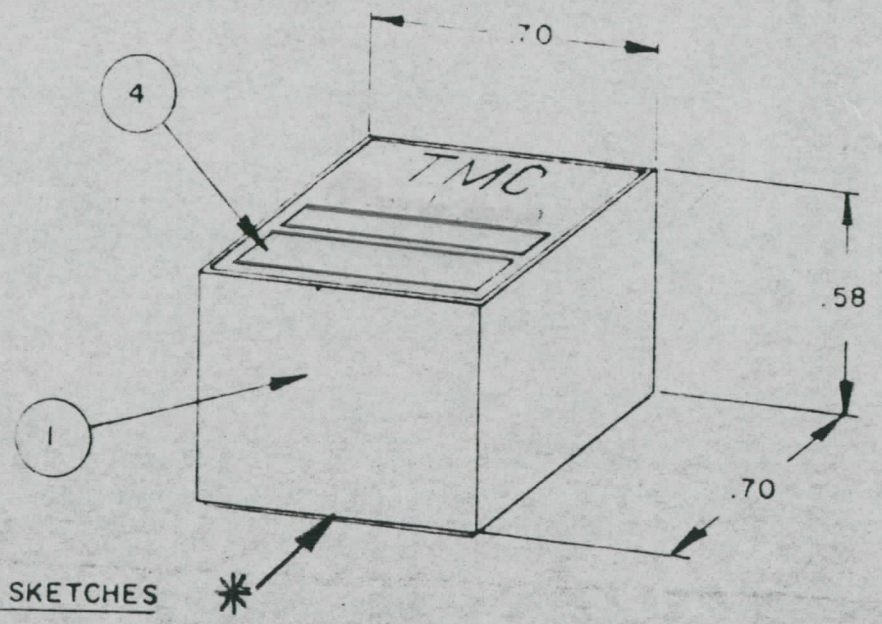
- WIND 7 TURNS OF ITEM 3 AS SHOWN IN SKETCH 1.
- WIND 1.5 TURNS OF ITEM 3 AS SHOWN IN SKETCH 2.
- WIND \_\_\_\_\_ TURNS OF ITEM \_\_\_\_\_ AS SHOWN IN SKETCH 3.
- DIP COIL IN ITEM 5 AND BAKE FOR 1/2 HR. AT 250°.
- REMOVE 1 TURNS FROM THE PRIMARY IF NECESSARY TO OBTAIN THE FOLLOWING AT TEST FREQ. OF 7.9 MHz
  - INDUCTANCE IN  $\mu$ H. 1.2 ± 0.1
  - Q MINIMUM \_\_\_\_\_
- MAXIMUM NUMBER OF TURNS TO BE REMOVED 2
- MOUNT TRANSFORMER ON BASE & CONNECT WIRES TO CORRESPONDING PINS.
- INSTALL ITEM 7 & \_\_\_\_\_ BETWEEN PINS 10 & 4
- INSTALL ITEM \_\_\_\_\_ & \_\_\_\_\_ BETWEEN PINS \_\_\_\_\_ & \_\_\_\_\_
- INSTALL ITEM \_\_\_\_\_ BETWEEN PINS \_\_\_\_\_ & \_\_\_\_\_
- POT TRANSFORMER USING ITEM 6 AS PER SPEC. S10149.
- COLOUR CODE BOTTOM OF TRANSFORMER \_\_\_\_\_
- INSTALL NAMEPLATE \_\_\_\_\_



BOTTOM VIEW

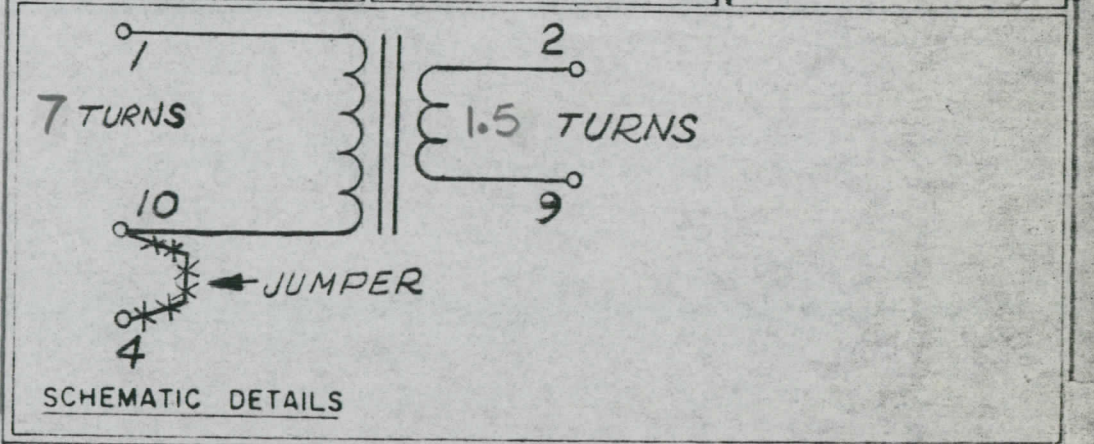
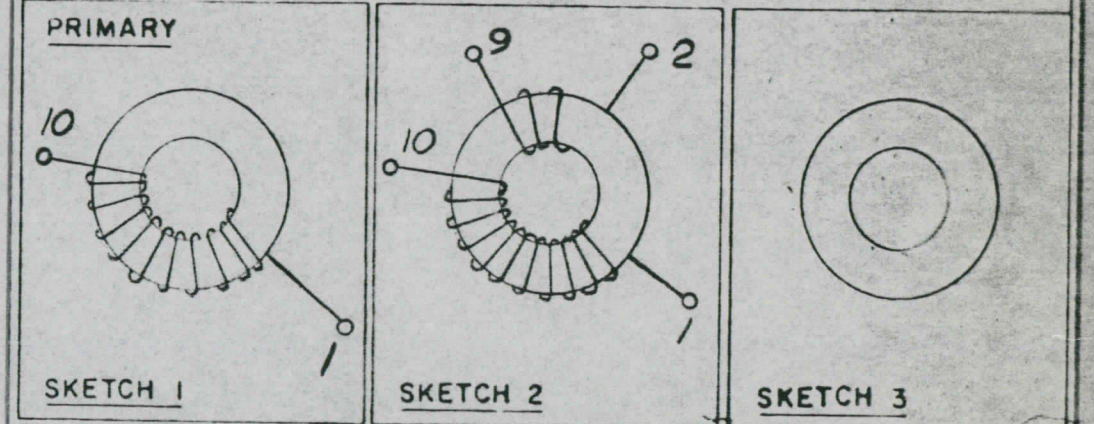
FIRST DIGIT  
 SECOND DIGIT  
 LETTER (IF REQ'D)  
 A - WHITE  
 B - BLACK

COLOUR CODE MARKING



TYPICAL FOR ALL SKETCHES

DIRECTION OF WINDING TO BE CLOSELY FOLLOWED AS SHOWN IN SKETCHES. ALL LEADS TO BE 1 INCH LONG. TIN LEADS BACK 3/4 INCH.



TMC (Canada) LIMITED	
TRANSFORMER RF,	
TUNED	
AP	A.S.
RPL	
TT10007-42-B	

TTRT-4BE 059/68

MAY 13/68