

THE CONTENTS OF THIS DRAWING ARE THE EXCLUSIVE PROPERTY OF THE TECHNICAL MATERIEL CORP. ITS UNAUTHORIZED USE FOR REPRODUCTION IN WHOLE OR IN PART IS STRICTLY FORBIDDEN.

REQ. PER UNIT 1	MODEL	USED ON		TT-198	A
	VLR-1	ASSY. NO.	DATE		
		A-3181	5-31-63		

TMC PART NO.	SYMBOL	FUNCTION	OPER. FREQ.
TT-198-1	TT05	IF TRANSFORMER	3KC

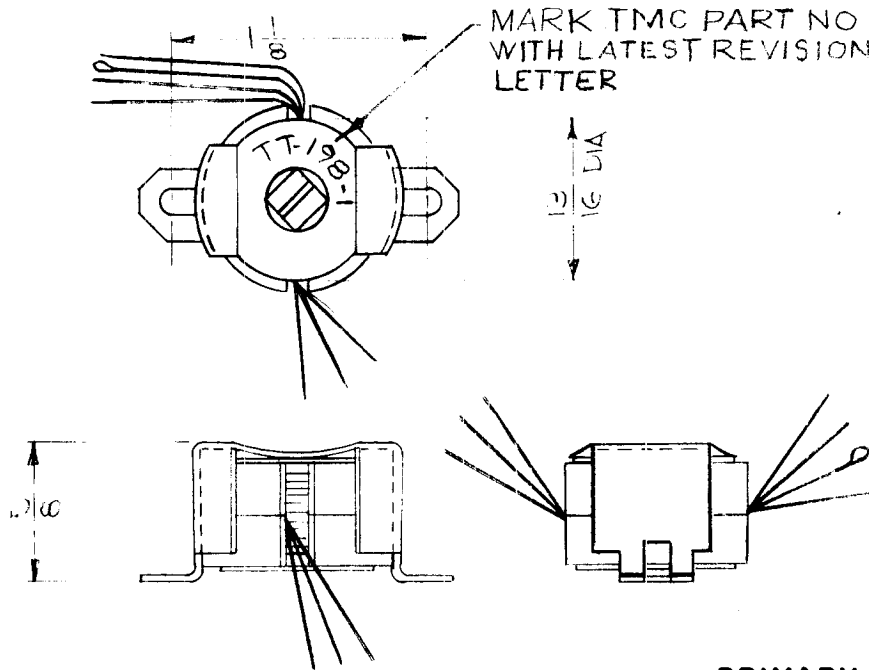
**SPECIFICATION :**

WINDING DATA: \*1  
 NOMINAL INDUCTANCE ~ 28 mhy.  
 NO. OF TURNS ~ 211 1/2.

WINDING DATA: \*2  
 NOMINAL INDUCTANCE ~ 6.2 mhy  
 NO. OF TURNS ~ 100.

WINDING DATA: \*3  
 NOMINAL INDUCTANCE ~ 6.2 mhy  
 NO. OF TURNS ~ 100.  
 NO. OF TAPS ~ 1  
 NO. OF TURNS TAPPED ~ 50.

COIL FORM DATA ~ DELRIN BOBBIN.  
 TUNING ~ ADJUSTABLE FERRITE CORE  
 CURIE TEMP. ~ 170°C MIN.  
 VOLTAGE BREAKDOWN ~ 100 VDC MIN.  
 TERMINALS ~ 2" MIN WIRE LEADS.



PRIMARY  
GREEN

211 1/2  
TURNS

TERTIARY

100 TURNS  
RED

SECONDARY

100 TURNS CT  
RED & GREEN

						REQ. ITEM	PART NO.	M. GELLMAN	DESCRIPTION	SYMBOL	
							—#—		THE TECHNICAL MATERIEL CORP.		
							STOCK SIZE		MAMARONECK.		
A	SEC. COLOR WAS NATURAL	8-24-67	18469	H.G.	EFM		—#—		NEW YORK		
O	ORIGINAL RELEASE FOR PRODUCTION	6-1-64	0	A.M.	@		—#—		TRANSFORMER, RF, TUNED		
SYM	DESCRIPTION	DATE	CH. NO.	DRAFTS	CHECKER	ENG. APP.	MATERIAL				
UNLESS OTHERWISE SPECIFIED DIMENSIONS ARE IN INCHES AND INCLUDE CHEMICALLY APPLIED OR PLATED FINISHES		SCALE	DO NOT SCALE						<i>G. Jensen</i>	@	<i>MC</i>
		TYPE & TEMPER	HEAT TREAT. SPEC.	DRAWN	CHECKED	FINAL APPROVAL					
DECIMALS .X ± .05 .XX ± .01 .XXX ± .005	TOLERANCES	FRACTIONS ± 1/64 ANGLES ± 0° 30'	CODE A	2A-3176					<i>MC</i>	<i>MC</i>	TT-198
		FINISH & SPEC. NO.		ELEC. DES. APP.	MECH. DES. APP.					A	