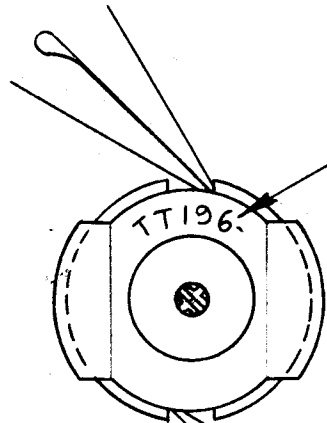
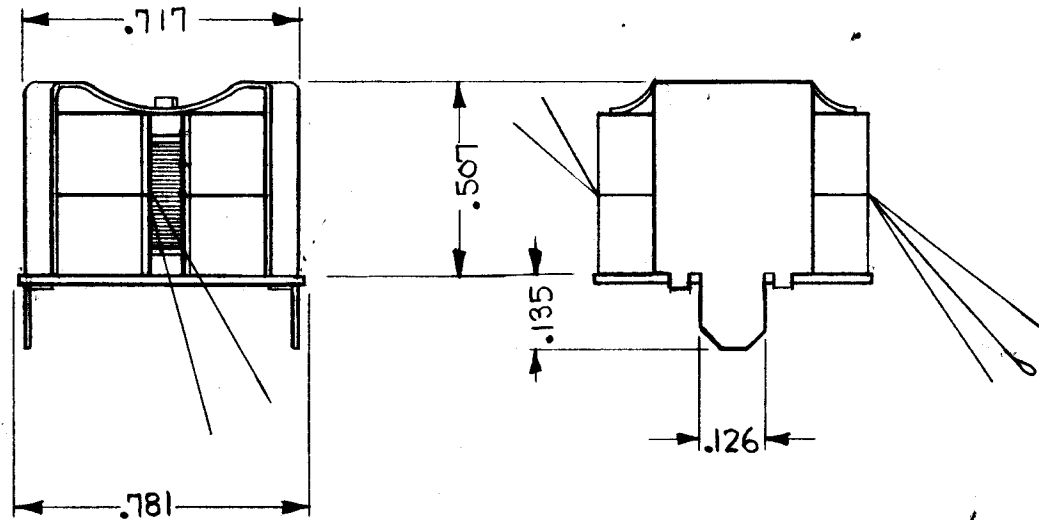


SECONDARY LEADS

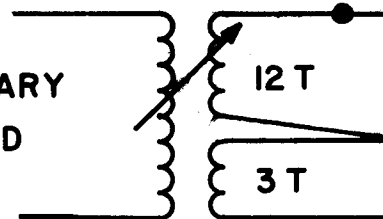


MARK TMC PART NO. WITH LATEST REVISION LETTER

PRIMARY LEADS



PRIMARY RED



SECONDARY GREEN

TT 196 A

REVISIONS

SYM	DESCRIPTION	DATE	E.M.N. NO.	DRAFT	CHKD	APPD
XI	SPECS AND CHART UPDATED	12/18/63	1		MP	
O	ORIGINAL RELEASE FOR PRODUCTION	5-11-64	0	A.M.	@	
A	BLK DOT ADDED TO 12T SIDE OF SECONDARY	12.22.66	17560	W		

TMC PART NO.	SYMBOL	FUNCTION	OPER. FREQ.	TURNS PRI.	MEAN "L"
TT 196 -1	T182	OSC. TRANS.	40 KC	280	15.8mhy
TT 196 -2	T181	OSC. TRANS.	43 TO 46 KC	300	18.3mhy

SPECIFICATIONS

WINDING DATA:

WINDING NO. 1 (PRIMARY)
 NOM. IND. - 15.8 mhy
 NO. OF TURNS - 280
 NO. OF TAPS - NONE

WINDING NO. 2 (SECONDARY)
 NOM. IND. - NONE
 NO. OF TURNS - 15
 NO. OF TAPS - 1
 NO. OF TURNS TAPPED - 12

COIL FORM DATA:

MATERIAL - DELRIN BOBBIN

TUNING DEVICES:

QUANTITY - 1
 TYPE - ADJUSTABLE FERRITE CORE

TERMINAL DATA:

QUANTITY - 2" MINIMUM
 TYPE - WIRE LEADS

REQ'D.	ITEM	PART NUMBER	DESCRIPTION	SYMBOL
M. GELLMAN LIST OF MATERIAL				
MATERIAL			THE TECHNICAL MATERIEL CORP. MAMARONECK, NEW YORK	
FINISH			TITLE TRANSFORMER, R.F., TUNED	
UNLESS OTHERWISE SPECIFIED DIMENSIONS ARE IN INCHES AND INCLUDE CHEMICALLY APPLIED OR PLATED FINISHES			DRAWN E. Jensen CHECKED @	DATE 5-23-63 5-7-64
DECIMALS .X ± .05 .XX ± .01 .XXX ± .005			TOLERANCES ± 1/64 ANGLES ± 0° 30'	
ELECT. DES.			DATE	DATE
SHEET			TT-196	A

1	VLR-1	A-3168
QTY./UNIT	MODEL USED ON	ASSY. NO.
SCALE 4A 3167	CODE A	

THE CONTENTS OF THIS DRAWING ARE THE EXCLUSIVE PROPERTY OF THE TECHNICAL MATERIEL CORP. ITS UNAUTHORIZED USE OR REPRODUCTION IN WHOLE OR IN PART IS STRICTLY FORBIDDEN.

NOTES

STANDARD DRAWING