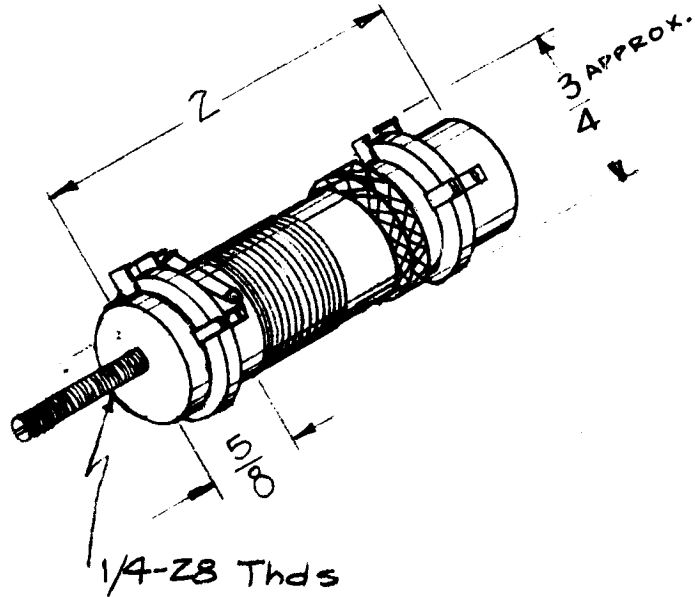


SYMBOL	FUNCTION	REQ. PER UNIT	USED ON			TT-185	Ø
			MODEL	ASSY. NO.	DATE		
T115	1ST MIXER, BAND 3	1	GPR-92		6-8-62		



**ELECTRICAL SPECIFICATIONS**

$L_{uh} \sim$  Pri. 9.0 (8.5-9.5), Sec. 9.7 (9.2.10.2)  
 $Q \sim$  Pri. 55 or Greater, Sec. 85 or Greater  
 FREQ  $\sim$  Pri. 7.9 MC, Sec. 2.5 MC

ISSUE	ITEM	CHANGED FROM	DATE	CH. NO.	DRAFTS	CHECKER	ENG. APP.	REQ.	ITEM	PART NO.	STEUMER	DESCRIPTION	SYMBOL
Ø		ORIGINAL RELEASE	9/26/69		Ø							THE TECHNICAL MATERIEL CORP. MAMARONECK, NEW YORK	
STOCK SIZE												TRANSFORMER, R.F., TUNED	
MATERIAL												ASSEMBLY	
TOLERANCES								SCALE: 2A-2472					
DEC. DIM. ± FRAC. DIM. ± ANGULAR DIM. ±								MAXIMUM ALLOWABLE TOLERANCES HAVE BEEN DETERMINED AND ANY DEVIATIONS WILL BE CAUSE FOR REJECTION. REMOVE ALL BURRS AND SHARP EDGES					
TYPE & TEMPER												HEAT TREAT. SPEC.	
FINISH & SPEC. NO.												ELEC. DES. APP	
DRAWN												CHECKED	
MP												FINAL APPROVAL	
												TT-185	
												Ø	