

THE CONTENTS OF THIS DRAWING ARE THE EXCLUSIVE PROPERTY OF THE TECHNICAL MATERIEL CORP. ITS UNAUTHORIZED USE OR REPRODUCTION IN WHOLE OR IN PART IS STRICTLY FORBIDDEN.

REQ. PER UNIT

USED ON

MODEL

ASS'Y. NO.

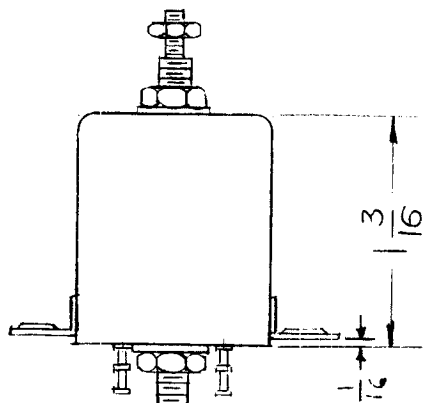
DATE

3500

8-15-62

TT 175

A



MODEL	REQ.	FUNCTION	OPER. FREQ.	SYMBOL
HFS-1	1	1 MC TRANSFORMER	1 MC	T3505

ELECTRICAL SPEC.

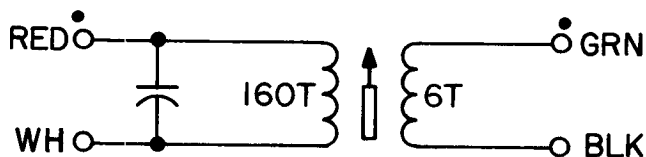
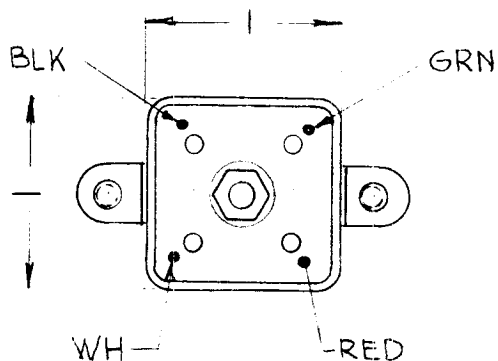
MECHANICAL SPEC.

PRIMARY
IND = 140μh ± 10%
Q = 40 OR GREATER
TEST FREQ = 700 KC

SECONDARY
TEST WITH OHMMETER
FOR CONTINUITY
ONLY.

CASE ~ ALUMINUM

TERM. BOARD - PHENOL C



• INDICATES START OF WINDING.

SCHEMATIC DIAGRAM

REQ.	ITEM	PART NO.			SYMBOLIC DESCRIPTION	SYMBOL	
					THE TECHNICAL MATERIEL CORP.		
		STOCK SIZE			MAMARONECK, NEW YORK		
A	4 LUGS RE LOCATED	3-23-62	15999	<i>MRH</i> <i>QCP</i>	TRANSFORMER, RF TUNED		
SYM	DESCRIPTION	DATE	CH. NO.	DRAFTS	CHECKER	ENG. APP.	
UNLESS OTHERWISE SPECIFIED: DIMENSIONS ARE IN INCHES TOLERANCES ON FRAC. ± 1/64 DEC. ± .005 ANGLES ± 1/2°		SCALE: Do Not Scale (2A-2444)				MATERIAL	
		MAXIMUM ALLOWABLE TOLERANCES HAVE BEEN DETERMINED AND ANY DEVIATIONS WILL BE CAUSE FOR REJECTION. REMOVE ALL BURRS AND SHARP EDGES				TYPE & TEMPER HEAT TREAT. SPEC.	
						DRAWN	CHECKED
						<i>GDL</i>	<i>MS</i>
						FINISH & SPEC. NO.	FINAL APPROVAL
						<i>JMA</i>	<i>JMA</i>
						ELEC. DES. APP.	MECH. DES. APP.
						TT 175	A