

THE CONTENTS OF THIS DRAWING ARE THE EXCLUSIVE PROPERTY OF THE TECHNICAL MATERIEL CORP. ITS UNAUTHORIZED USE OR REPRODUCTION IN WHOLE OR IN PART IS STRICTLY FORBIDDEN.

REQ. PER UNIT

MODEL  
GPR-92

USED ON

ASS'Y. NO.

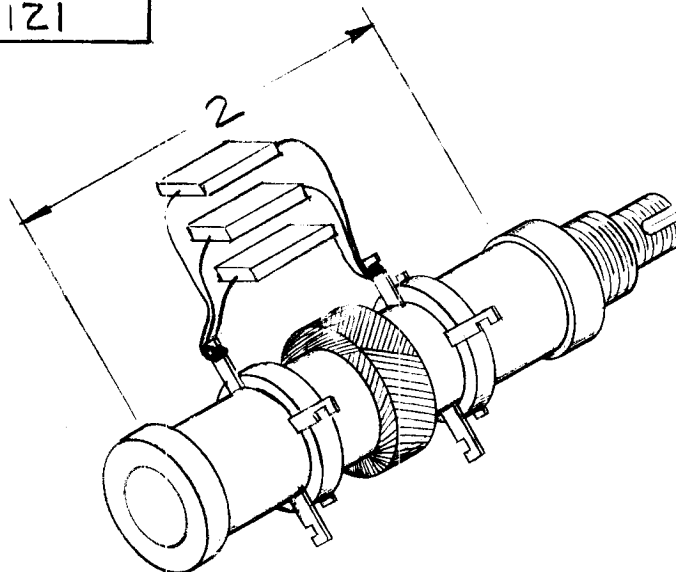
DATE

10-6-61

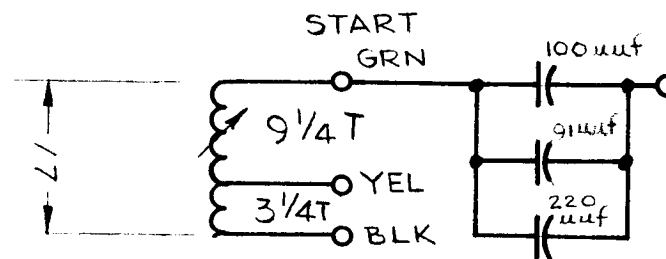
TT-144

FUNCTION	OPER. FREQ.	SYMBOL
OSC. COIL BAND 4	9.555-13.455	T1Z1

Q - 105 or GREATER  
L - 1.2 - 1.5  $\mu$ h  
F - 7.9 MC



SCHEMATIC



FREQ. RANGE: 5.4 - 9.6 MC

REQ.	ITEM	PART NO.	GELLMAN DESCRIPTION		SYMBOL						
			THE TECHNICAL MATERIEL CORP.								
			MAMARONECK, NEW YORK								
			TRANSFORMER, RF TUNED								
			MATERIAL								
SYM	DESCRIPTION	DATE	CH. NO.	DRAFTS	CHECKER	ENG. APP.					
UNLESS OTHERWISE SPECIFIED: DIMENSIONS ARE IN INCHES TOLERANCES ON FRAC. $\pm 1/64$ DEC. $\pm .005$ ANGLES $\pm 1/2^\circ$		SCALE:	2A-2127		MAXIMUM ALLOWABLE TOLERANCES HAVE BEEN DETERMINED AND ANY DEVIATIONS WILL BE CAUSE FOR REJECTION. REMOVE ALL BURRS AND SHARP EDGES		TYPE & TEMPER	HEATTREAT. SPEC.	DRAWN	CHECKED	FINAL APPROVAL
								wh	TR 2/12/64	RJL	
								Murphy	MP	TT-144	
								ELEC. DES. APP.	MECH. DES. APP.		