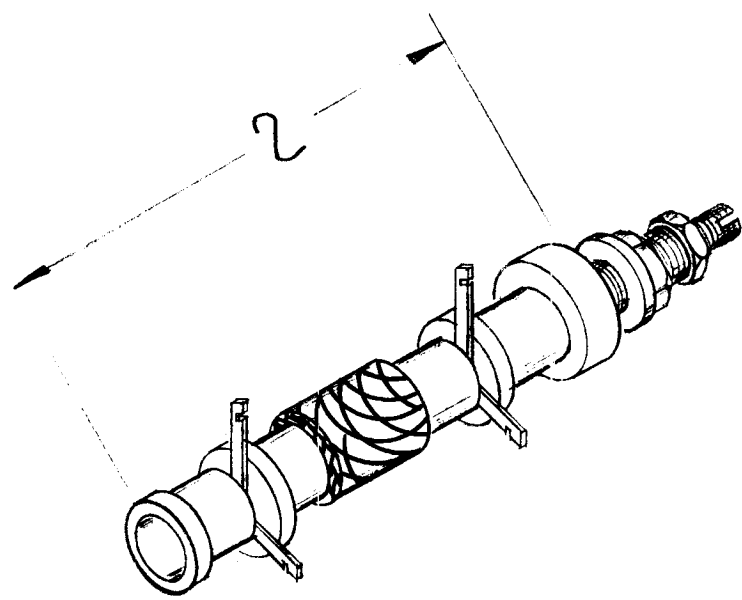


FUNCTION	OPER FREQ	SYMBOL	REQ. PER. UNIT	USED ON			TT-142
				MODEL	ASSY. NO.	DATE	
OSC. COIL BAND 2	1.855 - 3.755 MC	T119	1	GPR-92	A2125	9-12-61	

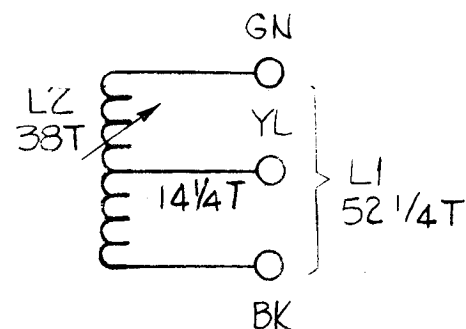
Q- L 1 - 100 or greater
L 2 - 90 or greater

L (μh) L 1 - 20.5 (19.5 - 21.5)
L 2 - 13.5 (12.9 - 14.1)

FREQ. - L 1 - .2.5 MC
L 2 - .2.5 MC



— SCHEMATIC —



FREQ. RANGE: 1.855 TO 3.755 MC

				REQ.	ITEM	PART NO.	GELLMAN	DESCRIPTION	SYMBOL				
				STOCK SIZE			THE TECHNICAL MATERIEL CORP.						
				MATERIAL			MAMARONECK, NEW YORK						
							TRANSFORMER, RF TUNED						
ISSUE	ITEM	CHANGED FROM	DATE	CH. NO.	DRAFTS	CHECKER	ENG. APP.	DRAWN	CHECKED	FINAL APPROVAL			
TOLERANCES			SCALE: 2A-2125										
DEC. DIM. ±			MAXIMUM ALLOWABLE TOLERANCES HAVE BEEN DETERMINED AND ANY DEVIATIONS WILL BE CAUSE FOR REJECTION. REMOVE ALL BURRS AND SHARP EDGES				TYPE & TEMPER	HEATTREAT. SPEC.	DRAWN	CHECKED	FINAL APPROVAL		
FRAC. DIM. ±													
ANGULAR DIM. ±													
				FINISH & SPEC. NO.			ELEC. DES. APP	MECH. DES. APP	TT-142				