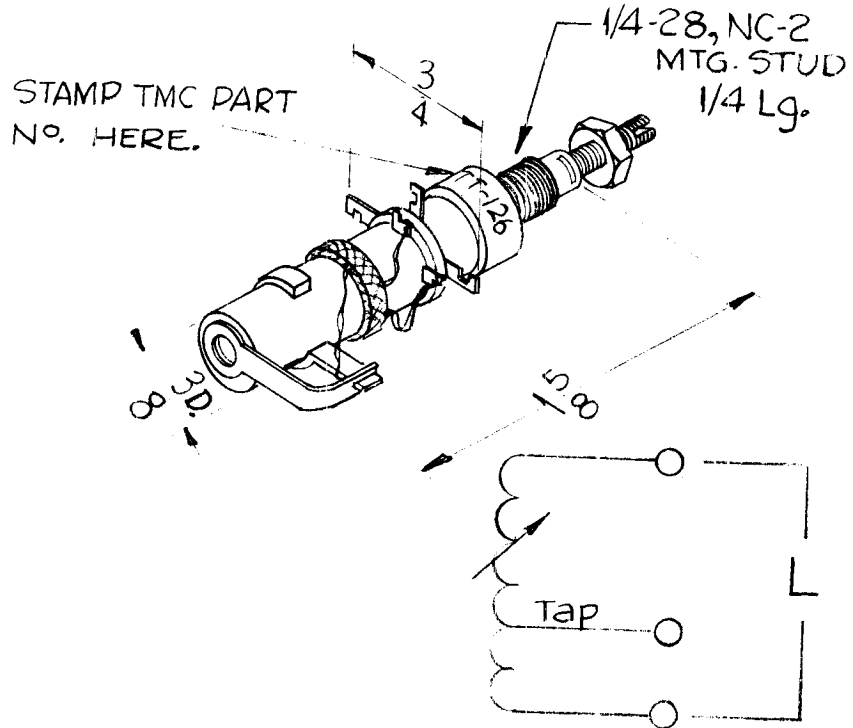


Remove Bushing Ass'y. Before
Assembling To Chassis.



REQ. PER UNIT	USED ON		
	MODEL	ASS'Y. NO.	SYMBOL
1	CHG	MF/RF	TT116

TT-126

ELECTRICAL SPECIFICATIONS
 L-28±3 Microhenries (w/o Core)
 Q-60 or Greater
 FREQ.-(TEST)-2.5 Mcs.
 OPER. FREQ.-1.75-3.75 Mcs.

MECHANICAL SPECIFICATIONS
 TOTAL TURNS - 44
 TAP - 9 TURNS

TUNING SLUG - Powdered Iron
 FORM - Phenolic

ISSUE	ITEM	CHANGED FROM	DATE	CH. NO.	DRAFTS	CHECKER	ENG. APP.	REQ.	ITEM	PART NO.	DESCRIPTION	SYMBOL
											TRANSFORMER, RF, TUNED	
TOLERANCES								MATERIAL				
DEC. DIM. ±								TYPE & TEMPER				
FRAC. DIM. ±								HEAT TREAT. SPEC.				
ANGULAR DIM. ±								FINISH & SPEC. NO.				
SCALE: 2A-2040								DRAWN				
MAXIMUM ALLOWABLE TOLERANCES HAVE BEEN DETERMINED AND ANY DEVIATIONS WILL BE CAUSE FOR REJECTION. REMOVE ALL BURRS AND SHARP EDGES								CHECKED				
								ELEC. DES. APP				
								MECH. DES. APP				
								TT-126				