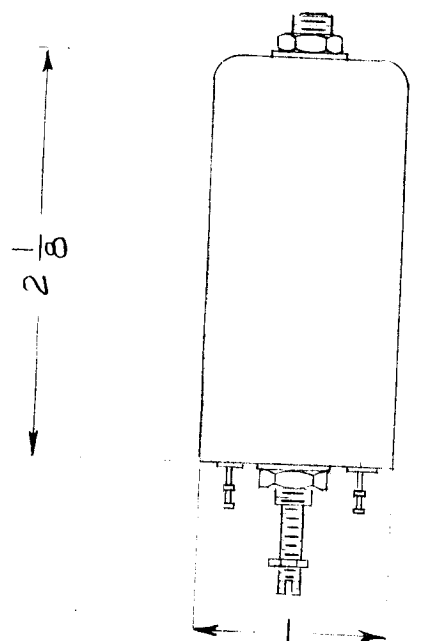


REQ. PER UNIT	USED ON			TT-123	C
	MODEL	ASS'Y. NO.	DATE		
1	CHG-1	MF/RF	9-26-1960		

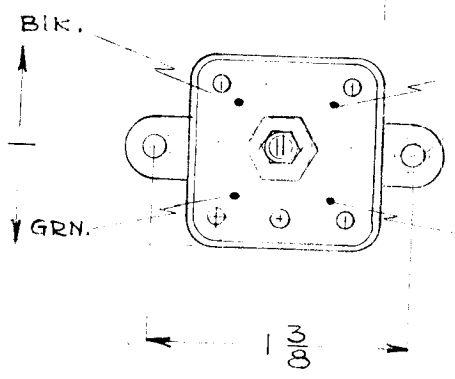


MODEL	REQ	FUNCTION	OPER FREQ MCS	SYM
CHG-1	1	MF OUTPUT	1.75-3.75	T1103

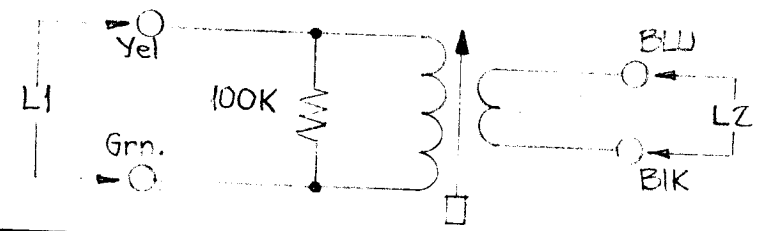
TEST DATA (W/OUT CORE)

WINDING #1
 L=21uh(±10%)
 Q=20 or Greater
 FREQ=2.5 mcs

WINDING #2
 LZ=3.5 uh(±10%)
 Q=50 or Greater
 FREQ=1.75 mcs



6-32 THREADS



C	1	Added FIFTH TERMINAL TO BOARD PICTORIAL	5/23/61	4937	Don	JCS		REQ.	ITEM	PART NO.	DESCRIPTION	SYMBOL
B	2	L1 was ± 1%. L2 was 4.3UH(±.2)	4/27/61	4780	Don	JCS		THE TECHNICAL MATERIEL CORP. MAMARONECK, NEW YORK TRANSFORMER RF, TUNED				
A	1	DRAWING NO. WAS AC-135	10/27/60		Don	JCS						
ISSUE ITEM CHANGED FROM			DATE	CH. NO.	DRAFTS	CHECKER	ENG. APP.	STOCK SIZE MATERIAL TYPE & TEMPER HEAT TREAT. SPEC. DRAWN CHECKED FINAL APPROVAL				
TOLERANCES			SCALE: 2A-1977				MAXIMUM ALLOWABLE TOLERANCES HAVE BEEN DETERMINED AND ANY DEVIATIONS WILL BE CAUSE FOR REJECTION. REMOVE ALL BURRS AND SHARP EDGES					
DEC. DIM. ± FRAC. DIM. ± ANGULAR DIM. ±							FINISH & SPEC. NO. ELEC. DES. APP MECH. DES. APP					