

SYMBOL	FUNCTION	REQ. PER UNIT	USED ON		
			MODEL	FREQ.	DATE
L33	1ST. RF BAND	1	GPR-90-RXD	17.3-31.5 MCS	5-26-60
T108	"	1	GPR-92	17.5-32.3 MC	10-16-62

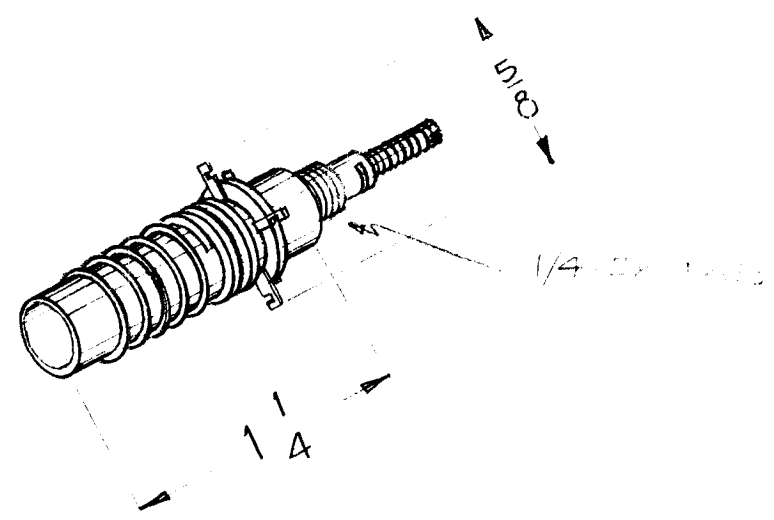
TT-107

## SPECIFICATIONS

Q ~ PRI. 100  
 SEC. 155

L<sub>uh</sub> ~ PRI. .15 ± 5%  
 SEC. .8 ± 5%

FREQ. ~ PRI. 25  
 SEC. 25



							REQ.	ITEM	PART NO.	DESCRIPTION		SYMBOL				
										THE TECHNICAL MATERIEL CORP. MAMARONECK, NEW YORK						
										TRANSFORMER, RF, TUNED						
ISSUE	ITEM	CHANGED FROM	DATE	CH. NO.	DRAFTS	CHECKER	ENG. APP.									
TOLERANCES			SCALE: 2A-1828													
DEC. DIM. ±			MAXIMUM ALLOWABLE TOLERANCES HAVE BEEN DETERMINED AND ANY DEVIATIONS WILL BE CAUSE FOR REJECTION. REMOVE ALL BURRS AND SHARP EDGES				TYPE & TEMPER		HEATTREAT. SPEC.		DRAWN		CHECKED	FINAL APPROVAL		
FRAC. DIM. ±																
ANGULAR DIM. ±																
							FINISH & SPEC. NO.		ELEC. DES. APP		MECH. DES. APP		TT-107			