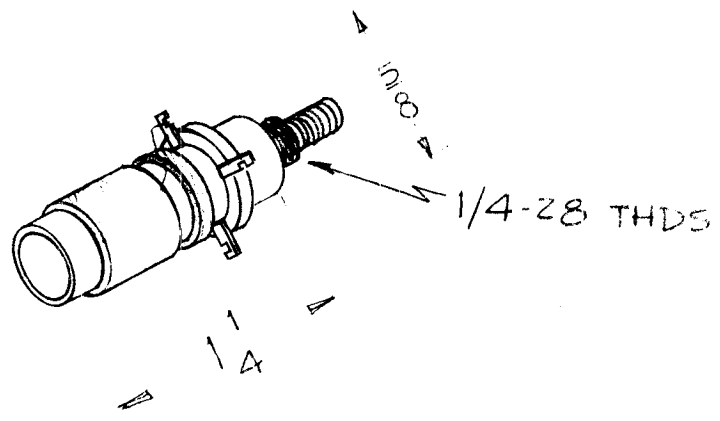


SYMBOL	FUNCTION	REQ. PER UNIT	USED ON		
			MODEL	FREQ	DATE
L29	1 <sup>ST</sup> RF. BANDZ	1	GPR-90-RXD	1.4-3.3 MC	5-24-60
T104	"	1	GPR 92	1.4-3.3 MC	10-16-62

TT-103 A

SPECIFICATIONS

- Q - PRI - GREATER THAN 49  
SEC. - GREATER THAN 85
- Luh - PRI. - 1.4 TO 1.75  
SEC. - 69 TO 74
- F - PRI. - 7.9 MC  
SEC. - 2.5 MC



ISSUE	ITEM	CHANGED FROM	DATE	CH. NO.	DRAFTS	CHECKER	ENG. APP.	REQ. ITEM	PART NO.	DESCRIPTION	SYMBOL						
A	1	Spec. 1103101 - Q - GREATER THAN 49 WAS - 45 Luh - PRI 1.4 TO 1.76 WAS 1.4 Sec 69 TO 74 WAS 75 F - PRI 7.9 MC WAS 2.5 Sec 2.5 MC WAS 190	7/26/61	5/67		Ru				THE TECHNICAL MATERIEL CORP. MAMARONECK, NEW YORK TRANSFORMER, R.F. TUNED	TT-103 A						
TOLERANCES			SCALE: 2A-188-1					TYPE & TEMPER		HEAT TREAT. SPEC.		DRAWN		CHECKED		FINAL APPROVAL	
DEC. DIM. ± FRAC. DIM. ± ANGULAR DIM. ±			MAXIMUM ALLOWABLE TOLERANCES HAVE BEEN DETERMINED AND ANY DEVIATIONS WILL BE CAUSE FOR REJECTION. REMOVE ALL BURRS AND SHARP EDGES					FINISH & SPEC. NO.		ELEC. DES. APP		MECH. DES. APP		TT-103		A	