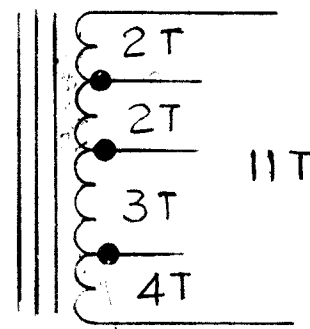
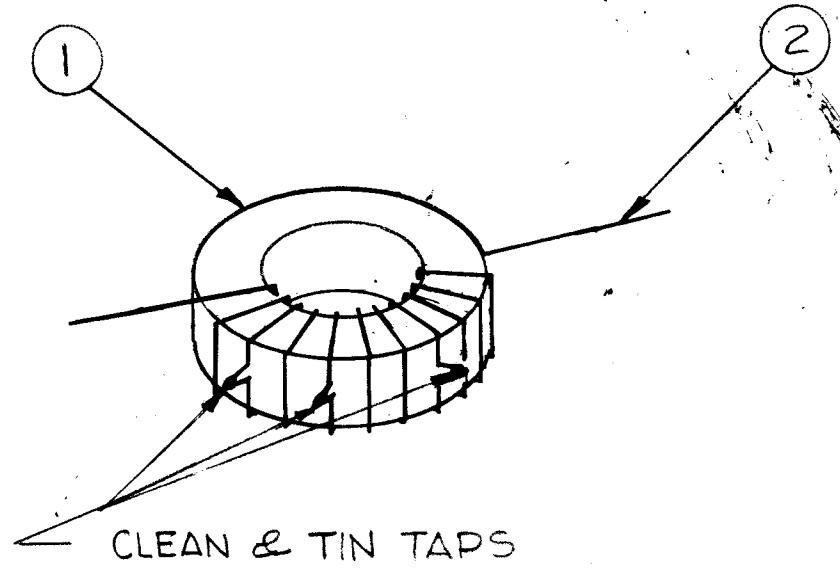


REVISIONS							
E.M.N. NO.	DRAFT	CHKD	ZONE	LTR	DESCRIPTION	DATE	APPROVED
				X	EXP. RELEASE		
	D.L.			Ø	ORIGINAL RELEASE FOR RECONSTRUCTION	1-2-75	
21325	G.D.L.	<i>[Signature]</i>		A	ON SCHEMATIC WAS 10T	12-17-75	<i>[Signature]</i>



SCHEMATIC

REQ'D	ITEM	PART NUMBER	DESCRIPTION	SYM.
X	3	BS 100	SOLDER SOFT	
X	2	WI 123-14	WIRE, ELEC MAGNETIC	
1	1	CI-128-4	CORE TOROIDE	

LIST OF MATERIAL

1	HFL-100	
QTY / UNIT	MODEL USED ON	ASS'Y NO.
APPLICATION		
	CODE	

NOTICE TO PERSONS RECEIVING THIS DRAWING
 THE TECHNICAL MATERIEL CORPORATION claims proprietary right in the material disclosed hereon. This drawing is issued in confidence for engineering information only and may not be reproduced or used to manufacture anything shown hereon without permission from THE TECHNICAL MATERIEL CORPORATION to the user. This drawing is loaned for mutual assistance and is subject to recall at any time.

UNLESS OTHERWISE SPECIFIED DIMENSIONS ARE IN INCHES AND INCLUDE CHEMICALLY APPLIED OR PLATED FINISHES

DECIMALS: .X ± .05, .XX ± .01, .XXX ± .005
 FRACTIONS: 1/64
 TOLS. ANGLES: 0° - 30'

MATERIAL

FINISH

FINAL APPROVAL: *[Signature]* DATE: 12/31/74
 MECH. DES. DATE: 12-31-74
 E. JANNUZZI
 ELECT. DES. DATE:
 CHECKED DATE:
 DRAWN: *[Signature]* DATE:

THE TECHNICAL MATERIEL CORP.
 MAMARONECK, NEW YORK

HF OUTPUT TRANSFORMER

SIZE	CODE IDENT. NO.	DWG NO.	ISSUE
B	82679	TR 201	A

SCALE: — SHEET OF