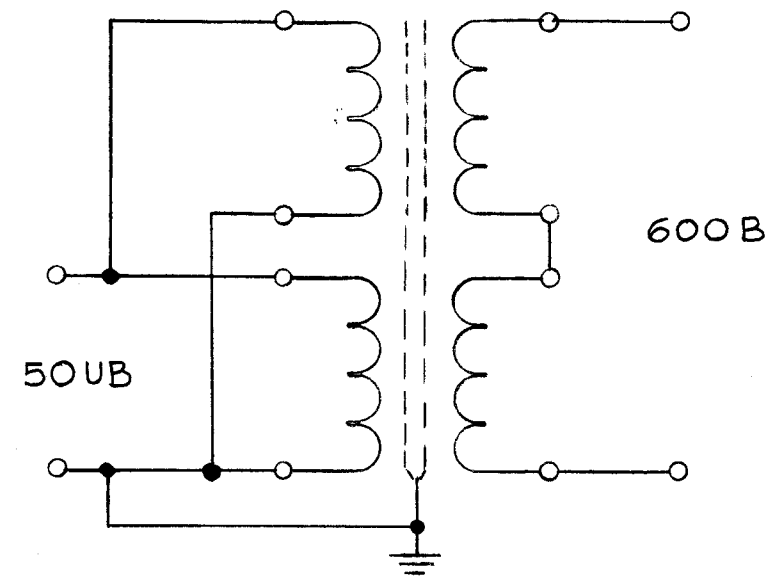
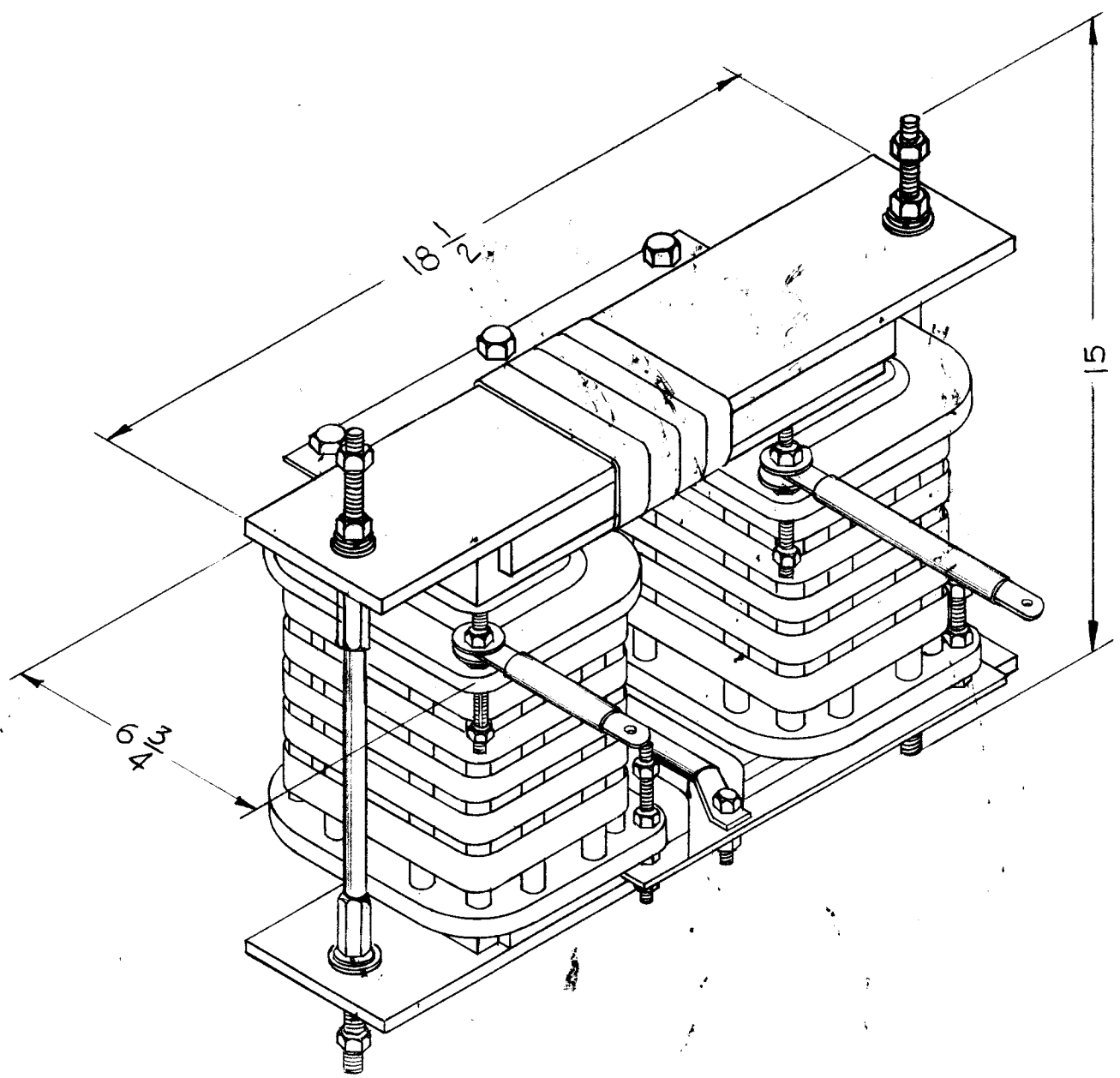
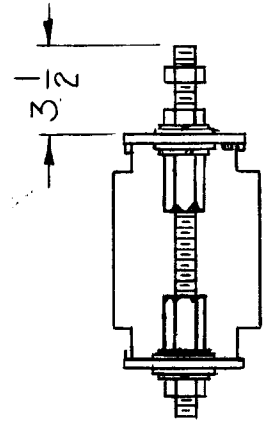


TR-169 A



SCHEMATIC DIAGRAM

SYM	DESCRIPTION	DATE	CH. NO.	DRAFTS	CHECKER	ENG. APP.
A	PICT. CH. TO CONFORM W/A2174 STEP 15	11-22-61	15241	✓	✓	✓

UNLESS OTHERWISE SPECIFIED:
 DIMENSIONS ARE IN INCHES
 TOLERANCES ON FRACTIONS ± 1/64 DECIMALS ± .005 ANGLES ± 1/2°

SCALE: BA-2174
 MAXIMUM ALLOWABLE TOLERANCES HAVE BEEN DETERMINED AND ANY DEVIATIONS WILL BE CAUSE FOR REJECTION.
 REMOVE ALL BURRS AND SHARP EDGES

REQ. PER UNIT	MODEL	SECTION	ASS'Y. NO.	DATE
1	TRC-20K			11-20-61

USED ON

REQ. ITEM	PART NO.	DESCRIPTION	SYMBOL
		THE TECHNICAL MATERIEL CORP. MAMARONECK, NEW YORK	
		TRANSFORMER R. F.	
		600B - 50UB	
		GDL	EFM
		DRAWN	CHECKER
		FINAL APPROVAL	
		TR-169	A