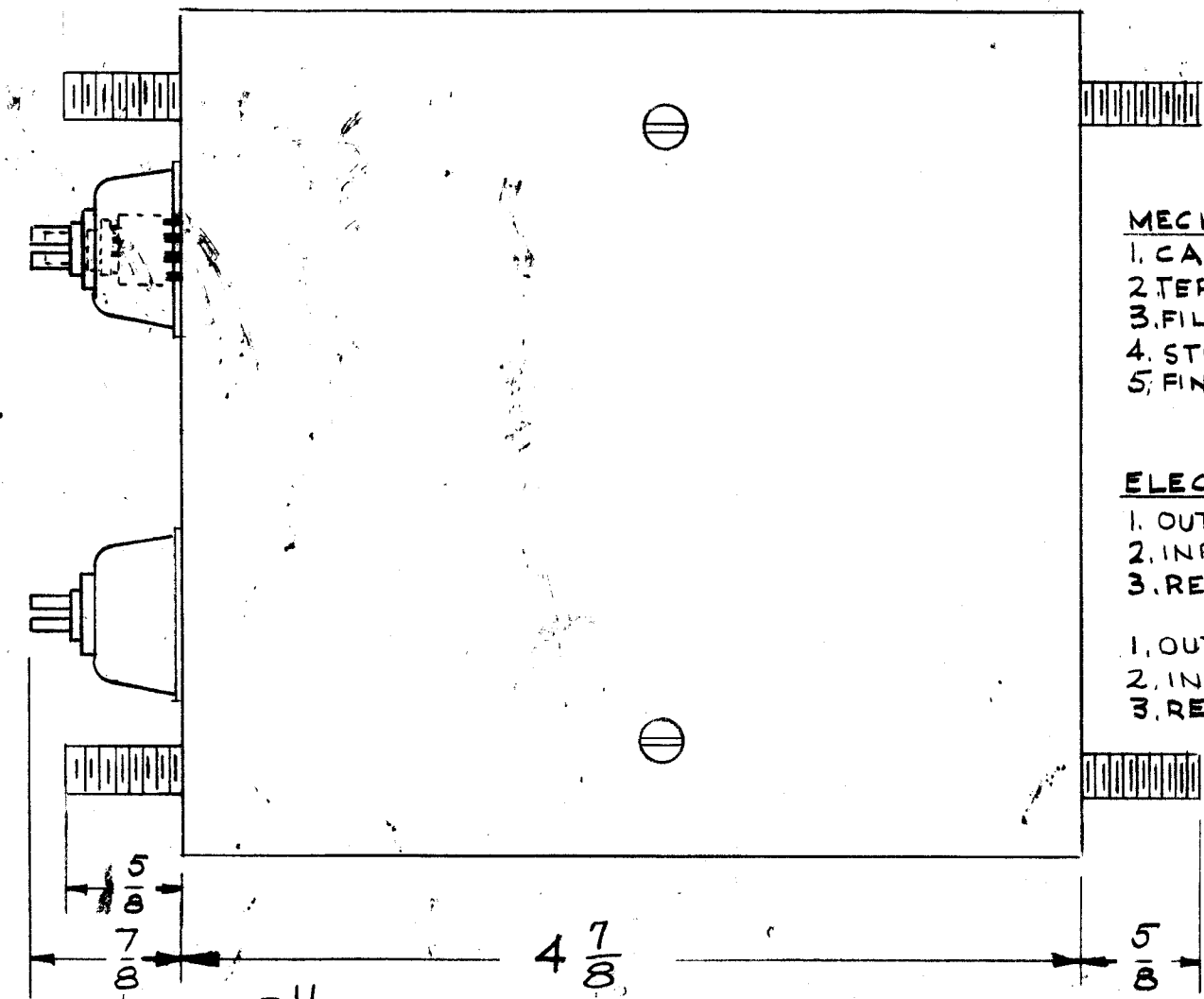
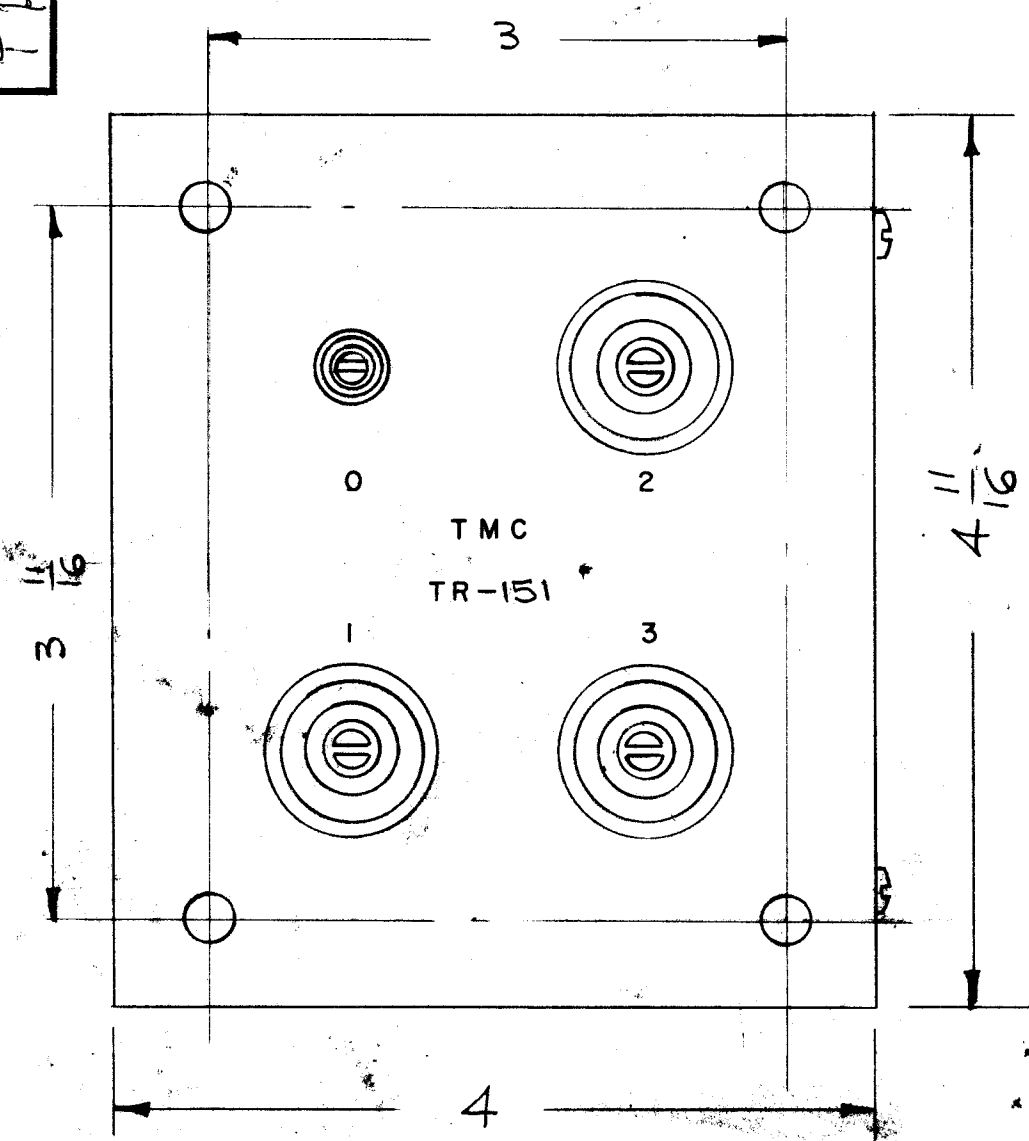


TR-151 B

NOTICE TO PERSONS RECEIVING THIS DRAWING

THE TECHNICAL MATERIEL CORPORATION claims proprietary right in the material disclosed hereon. This drawing is issued in confidence for engineering information only and may not be reproduced or used to manufacture anything shown hereon without permission from THE TECHNICAL MATERIEL CORPORATION to the user. This drawing is loaned for mutual assistance and is subject to recall at any time.

Property of:  
THE TECHNICAL MATERIEL CORPORATION  
MAMARONECK, NEW YORK

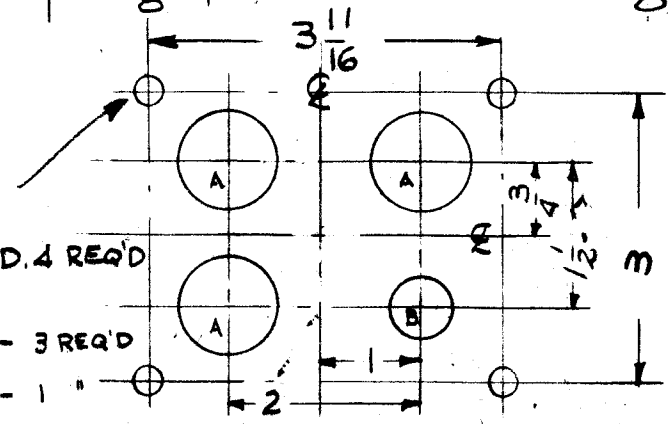
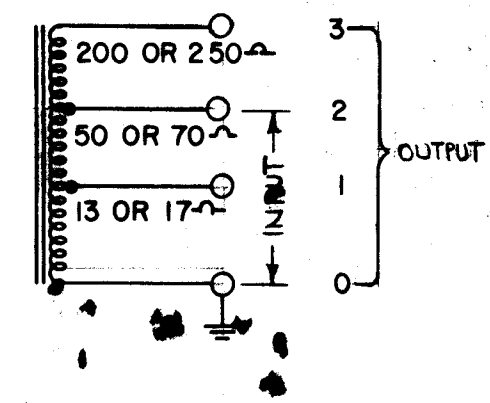


MECHANICAL DATA

- 1. CASE - STEEL (MIL TYPE M B)
- 2. TERMINALS - SOLDER TYPE, CERAMIC
- 3. FILLER - NONE
- 4. STUDS - 1/4-20 THD. x 5/8 LONG
- 5. FINISH - SMOOTH GREY ENAMEL

ELECTRICAL DATA

- 1. OUTPUT - 17Ω, 70Ω, 250Ω UNBAL.
  - 2. INPUT - 70Ω UNBAL.
  - 3. RESPONSE - 2-30 MC.
- OR
- 1. OUTPUT - 13Ω, 50Ω, 200Ω UNBAL.
  - 2. INPUT - 50Ω UNBAL.
  - 3. RESPONSE - 2-30 MC.



9/32 (2B) D.4 REQ'D

A - 1. DIA. - 3 REQ'D

B - 5/8 DIA. - 1 "

MOUNTING  
DETAIL  
FOR TOP

NOTE: STUD LAYOUT  
FOR BOTTOM SAME AS TOP

ISSUE	ITEM	CHANGED FROM	DATE	CH. NO.	DRAFTS	CHECKER	ENG. APP.
B	2	ON DIAG. INPSOUTP. RELOCAT. ON ELEC. DATA INP. SOUTP. REVER.	7.13.64	11744	WJB	gcb	MM
A	1	4 7/8 DIM. WAS 4 5/16	1/18/64	10688	LD	WJB	WJB

TOLERANCES: DEC. DIM. ±, FRAC. DIM. ±, ANGULAR DIM. ±

SCALE: 8-A-1792-2

MAXIMUM ALLOWABLE TOLERANCES HAVE BEEN DETERMINED AND ANY DEVIATIONS WILL BE CAUSE FOR REJECTION; REMOVE ALL BURRS AND SHARP EDGES

REQ. PER UNIT	MODEL	PROJECT NO.	ASSY. NO.	DATE
1	AT3-50(70)T02			6-9-59

REQ.	ITEM	PART NO.	DESCRIPTION	SYMBOL
			THE TECHNICAL MATERIEL CORP. MAMARONECK, NEW YORK	
			TRANSFORMER, RF	
			50 OR 70 Ω	
			DRAWN: [Signature]	FINAL APPROVAL: [Signature]
			TR-151 B	