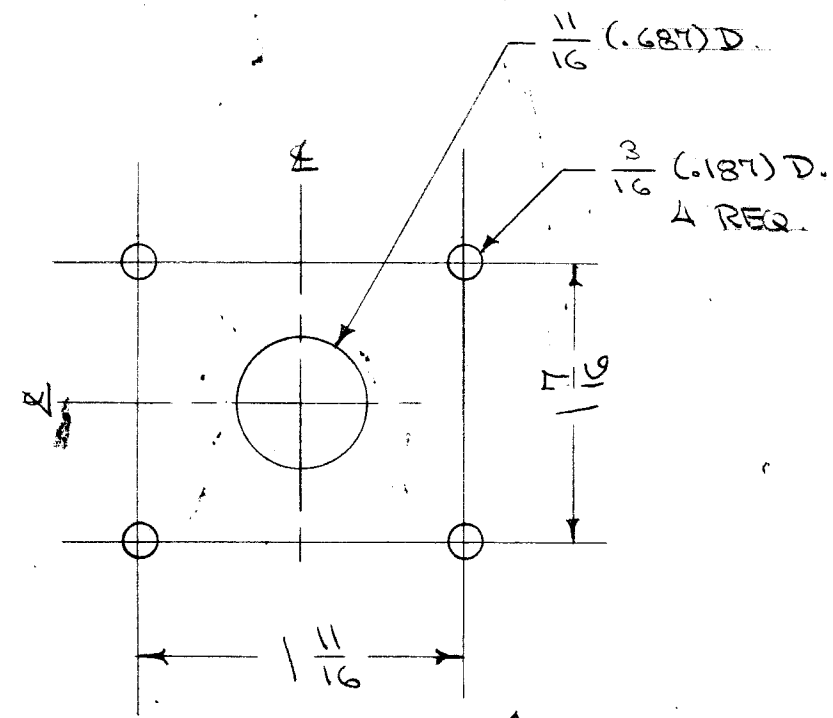
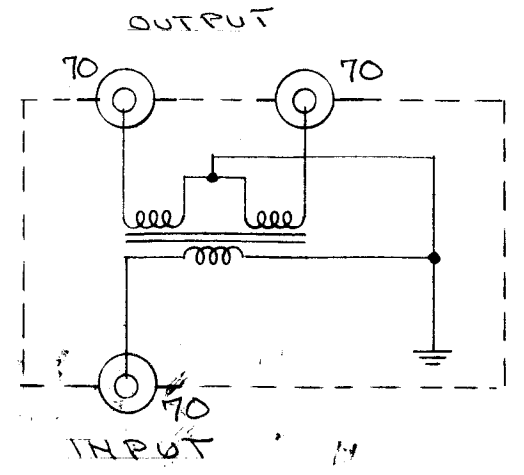
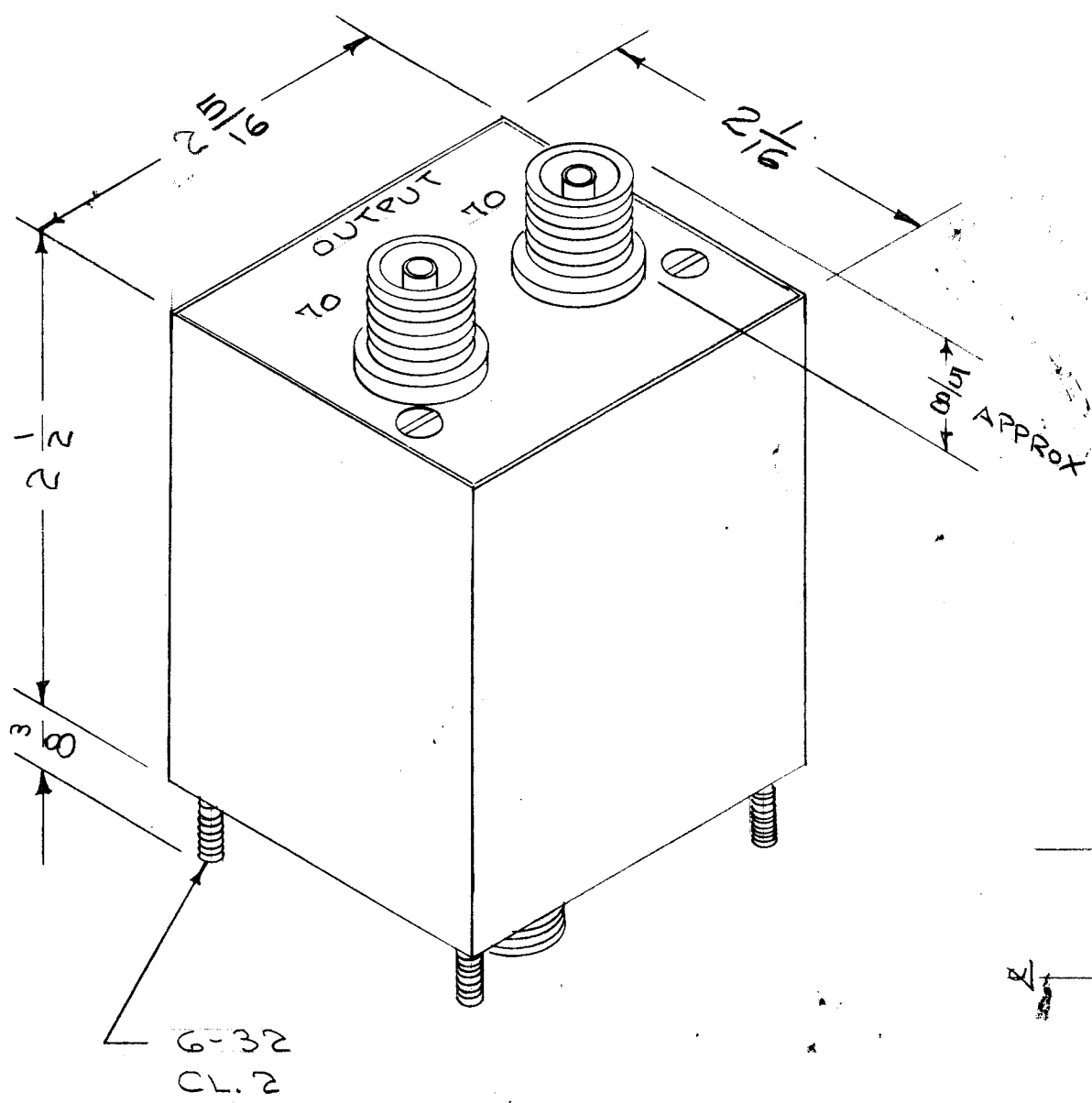


TR-135
A

NOT TO BE LOANED TO PERSONS RECEIVING THIS DRAWING

THE TECHNICAL MATERIEL CORPORATION claims proprietary right in the hereinafter described herein. This drawing is loaned for engineering information only and may not be reproduced or used to manufacture anything shown hereon without permission from THE TECHNICAL MATERIEL CORPORATION to the user. This drawing is loaned for mutual assistance and is subject to recall at any time.

Property of:
THE TECHNICAL MATERIEL CORPORATION
MAMARONECK, NEW YORK



DRILLING PLAN

ELECTRICAL SPECIFICATIONS

- 1 - Primary 70Ω Unbalanced DC Resistance .077Ω
- 2 - Secondary #1, 70Ω Unbal DC Resistance .064Ω
#2, 70Ω Unbal DC Resistance .064Ω
- 3 - Relative Response ± 3 db. 2-30 MC.

MECHANICAL SPECIFICATIONS

- 1 - Case Steel
- 2 - Color Gray
- 3 - Studs 6-32 x 3/8
- 4 - Receptacles Type 60-239 Series UHF
(For "BNC" Series See TR-123)
(For C Series See TR-107)

ISSUE	ITEM	CHANGED FROM	DATE	CH. NO.	DRAFTS	CHECKER	ENG. APP.
A	1	DIM CHGD FROM 1-15/16 X 2-3/16 TO 2-1/16 X 2-5/16 AS PER BX-129	1/9/58	1	16	JAL	[Signature]
TOLERANCES			SCALE:		4A-1280		
DEC. DIM. ± FRAC. DIM. ± ANGULAR DIM. ±			MAXIMUM ALLOWABLE TOLERANCES HAVE BEEN DETERMINED AND ANY DEVIATIONS WILL BE CAUSE FOR REJECTION. REMOVE ALL BURRS AND SHARP EDGES				

REQ. PER UNIT	MODEL	PROJECT NO.	ASS'Y. NO.	DATE
USED ON				

REQ. ITEM	PART NO.	DESCRIPTION	SYMBOL
THE TECHNICAL MATERIEL CORP. MAMARONECK, NEW YORK			
STOCK SIZE			
TRANSFORMER R.F.			
70 UNBAL. TO 70/70 UNBAL.			
MATERIAL			
TYPE & TEMPER		HEAT TREAT. SPEC.	DATE
DRAWN		CHECKED	FINAL APPROVAL
FINISH & SPEC. NO.		ELEC. DES. APP.	MECH. DES. APP.