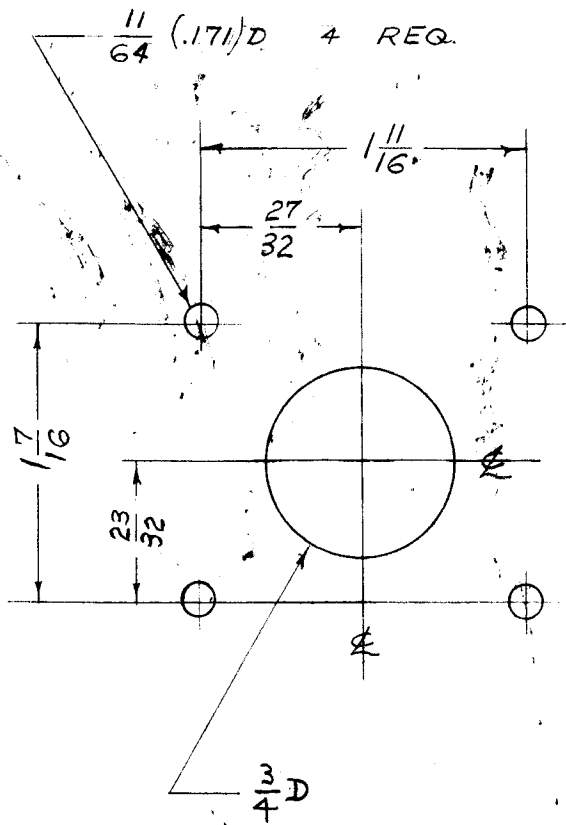
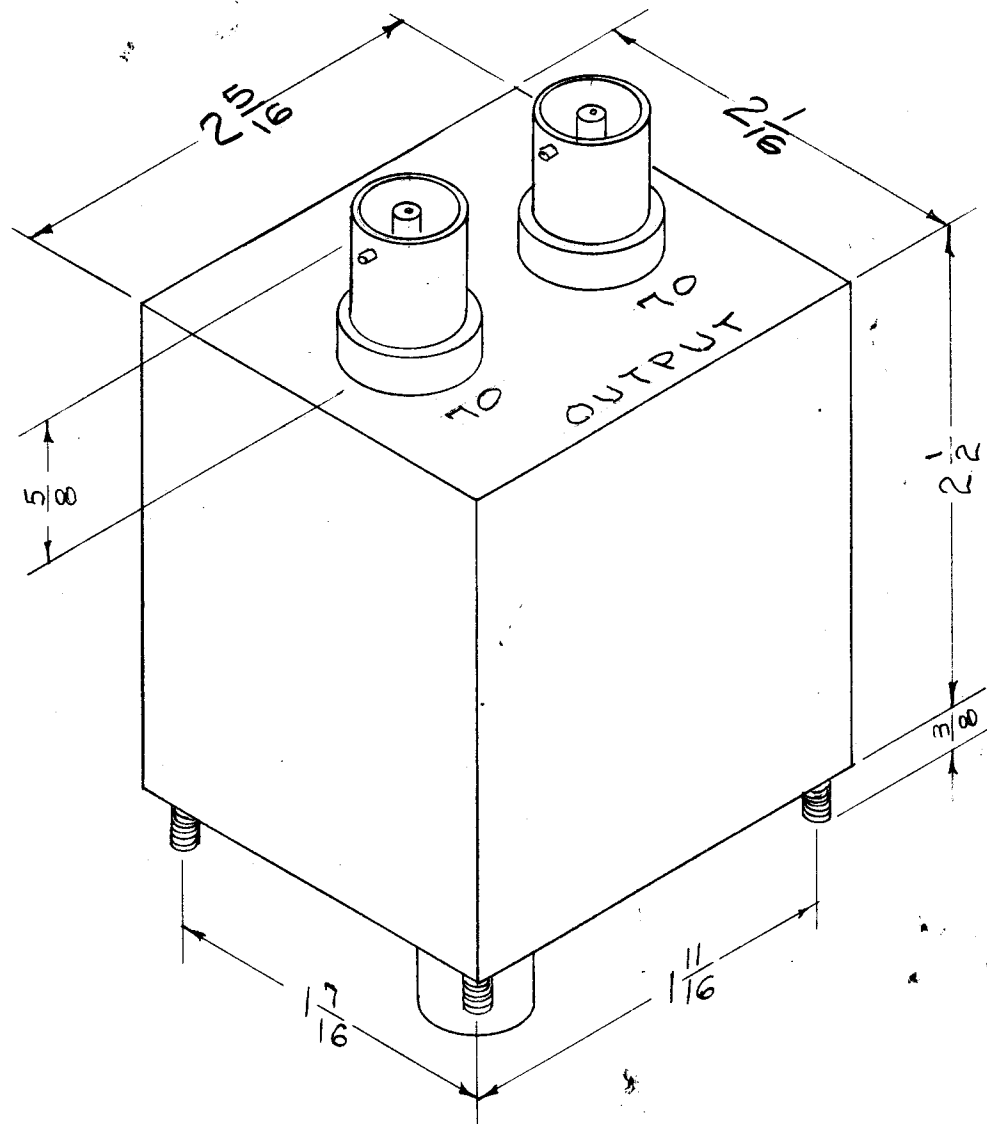


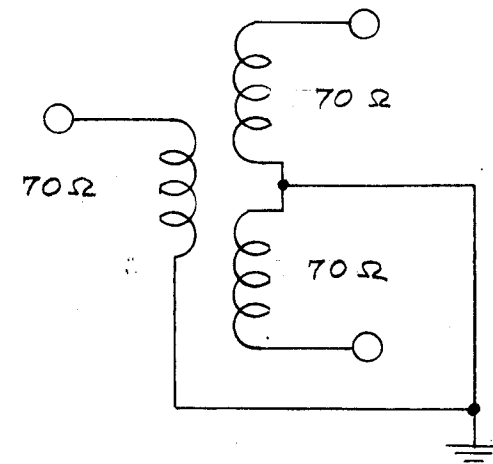
IF IT IS FOUND DESIRABLE TO CHANGE ANY TOLERANCE OR OTHER DETAIL SPECIFIED ON THIS DRAWING NOTIFY THE PURCHASER PROMPTLY.

MAXIMUM ALLOWABLE TOLERANCES HAVE BEEN DETERMINED AND DEVIATIONS WILL BE CAUSE FOR REJECTION. REMOVE ALL BURRS AND SHARP EDGES

TR-107 D



MOUNTING TEMPLATE



ELECTRICAL SPECIFICATIONS

- 1 - PRIMARY 70Ω UNBALANCED DC RESISTANCE .25 Ω
- 2 - SECONDARY #1 70Ω UNBAL DC RESISTANCE .17 Ω
- #2 70Ω UNBAL DC RESISTANCE .17 Ω
- 3 - RELATIVE RESPONSE ± 3 db. 2-30 MC.

MECHANICAL SPECIFICATIONS

- 1 - CASE STEEL
- 2 - COLOR GRAY
- 3 - STUDS 6-32 x 3/8
- 4 - RECEPTACLES TYPE C UG-568/U
- (FOR "BNC" SERIES SEE TR-123)
- (FOR UHF SERIES SEE TR-135)

D	DC RES. WERE .077Ω, .064Ω	2-20-47	17832	MA	QCB	
C	DIM. CHGD. FROM 2 x 2-1/4 TO 2-1/16 x 2-5/16 AS PER BX-129	1/5/58	3	16	AMP	
B	RESISTANCE ADDED	10/24/55	2	16	AMP	
A	REDRAWN NO CHANGE	8-12-55	4	16	AMP	
ISSUE	ITEM	CHANGED FROM	DATE	CN. NO.	DRAFTS	CHECKER
TOLERANCES		SCALE:				
ALL OTHERS	DEC. DIM. ± FRAC. DIM. ± ANGULAR DIM. ±	DRILL, PUNCH, COMMERCIAL STOCK SIZES AND MANUFACTURERS TOLERANCES ARE NOT INCLUDED.				

REQ. PER UNIT	MODEL	PROJECT NO.	ASS'Y. NO.	DATE
USED ON				

REQ. ITEM	PART NO.	DESCRIPTION	SYMBOL
THE TECHNICAL MATERIEL CORP.			
MAMARONECK. NEW YORK			
TRANSFORMER R.F.			
MATERIAL	WEIGHT PER PC.	70Ω UNBAL. TO 70/70 UNBAL.	
TYPE & TEMPER		PB-8-12-55	
HEAT TREAT. SPEC.		DRAWN: [Signature] ELEC. DES. APP. [Signature] MECH. DES. APP. [Signature]	
FINISH & SPEC. NO.		4A-937	TR-107 D