

REVISIONS						
ZONE	LTR	DESCRIPTION	DATE	E.M.N.NO	DRAFT	CHKD APPD
	X	EXPERIMENTAL RELEASE	11/15/68		C.V.	
	Ø	ORIG. RELEASE	12-3-68			JFB
	Δ	MARKING & FINISH REV.	5.8.69	19413	GE	JFB

**SPECIFICATIONS**

**ELECTRICAL:**

PRIMARY: 208 VAC, 60 CPS  
INSULATION TEST VOLTAGE:

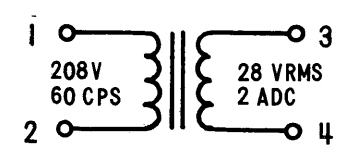
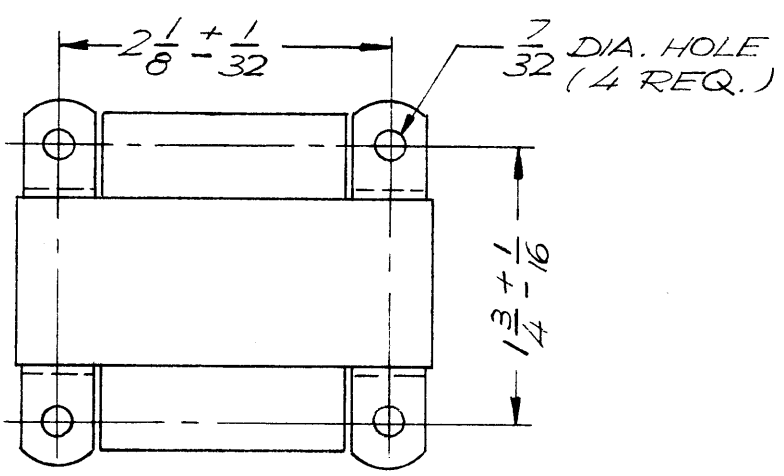
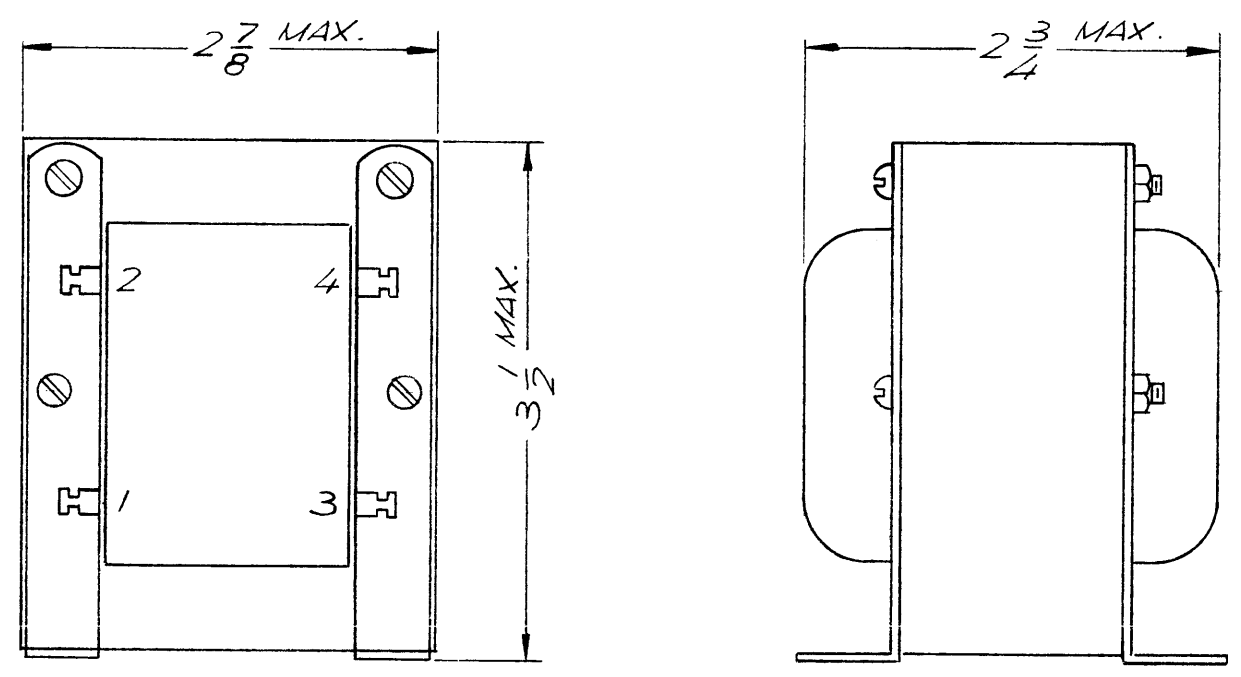
SECONDARY: 28 VAC RMS 2 ADC

**MECHANICAL:**

CASE: OPEN FRAME  
FINISH: BLACK  
DIMENSIONS: SHOWN PICTORIALLY  
TERMINALS: LUGS (OFF OF COIL)

MARKING: TERMINAL NUMERALS, WHITE GOTHIC

NOTE: MANUFACTURED IN ACCORDANCE WITH MIL-SPEC T-27-A EXCEPT THAT MIL-SPEC T-27-A SHALL NOT APPEAR ON CASE AND QUALIFICATION TESTING NOT REQUIRED



	GPT 40KEL	AX688
	GPT 10KRL	
QTY / UNIT	MODEL USED ON	ASS'Y NO.
<b>APPLICATION</b>		
	CODE	S401-30 (8150)

**NOTICE TO PERSONS RECEIVING THIS DRAWING**  
THE TECHNICAL MATERIEL CORPORATION claims proprietary right in the material disclosed hereon. This drawing is issued in confidence for engineering information only and may not be reproduced or used to manufacture anything shown hereon without permission from THE TECHNICAL MATERIEL CORPORATION to the user. This drawing is loaned for mutual assistance and is subject to recall at any time.

UNLESS OTHERWISE SPECIFIED DIMENSIONS ARE IN INCHES AND INCLUDE CHEMICALLY APPLIED OR PLATED FINISHES

DECIMALS	FRACTIONS
.X ± .05	1/64
.XX ± .01	TOLS. ANGLES
.XXX ± .005	0° -30'

MATERIAL  
FINISH

REQ'D	ITEM	PART NUMBER	DESCRIPTION	SYM.
<b>BUDETTI LIST OF MATERIAL</b>				
FINAL APPROVAL			DATE	<b>THE TECHNICAL MATERIEL CORP.</b> MAMARONECK, NEW YORK
MECH. DES.			DATE	
ELECT. DES.			DATE	
CHECKED			DATE	
DRAWN			DATE	<b>TRANSFORMER, POWER</b>
SIZE	CODE IDENT. NO.	DWG NO.	ISSUE	
B	82679	TF 380	Δ	
SCALE	SHEET		OF	