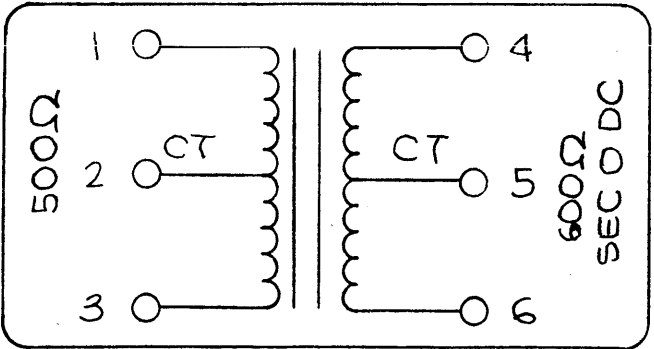
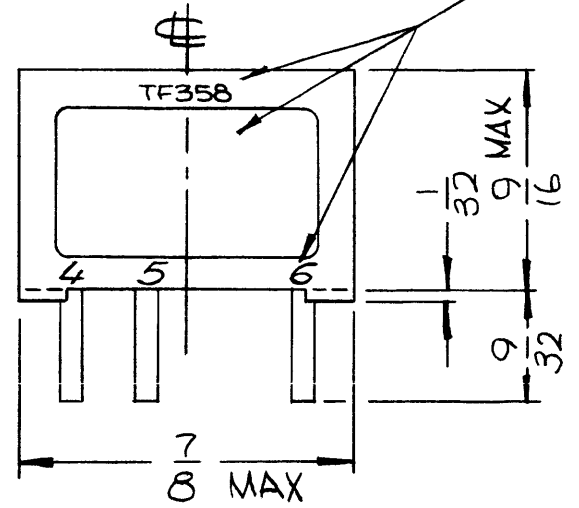


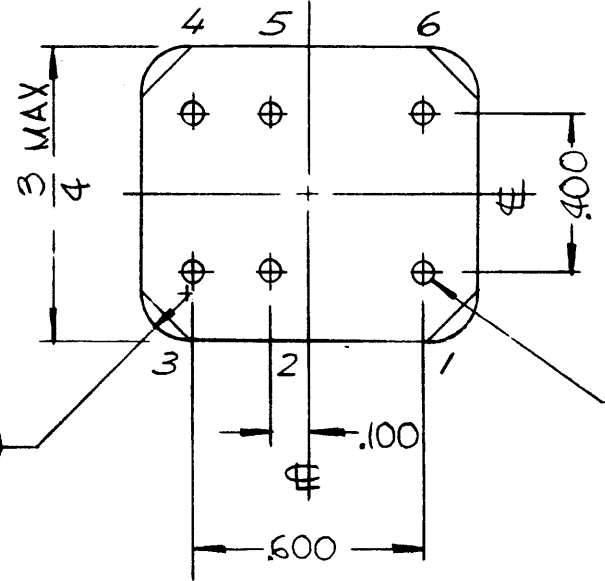
REVISIONS						
ZONE	LTR	DESCRIPTION	DATE	E.M.N.NO	DRAFT	CHKD APPD
	X	EXPERIMENTAL REL	1/5/67	X	WLD	JEB JLD
	Ø	ORIG. RELEASE FOR PROD	10-21-68		R.G.	JLD
	A	TERMINALS RENLUMB.	11/3/69	19631	KH	KD OP

LETTERING & MARKING TO BE LOCATED AS SHOWN PER TMC SPEC 5727, NO ADDITIONAL MARKING OTHER THAN SHOWN, TO BE ADDED TO XFMR.



PERFORMANCE CHARACTERISTICS

1. PRIMARY IMPEDANCE: 500 CT OHMS
2. SECONDARY IMPEDANCE: 600 CT OHMS
3. MAX PRI UNBALANCED DC CURRENT: 10 MA
4. FREQUENCY RESPONSE: 300~50 KC ±2 dB
5. MAX LEVEL: +20 DBM (100 MW)
6. POLARITY: TERMS 1 & 4 HAVE SAME POLARITY
7. WORKING VOLTAGE: 175 PEAK
8. FINISH: TMC GREY AS PER S115
9. MARKING: ALL TERMINALS TO BE MARKED AS INDICATED
10. PER MIL-T-27A GRADE 5, CLASS R, LIFE EXPECTANCY X, EXCEPT THAT MIL-T-27 SHALL NOT APPEAR ON CASE & QUALIFICATION TESTING IS NOT REQUIRED



.040 DIA PINS (6 REQ)

1	MSAR-4	
QTY / UNIT	MODEL USED ON	ASS'Y NO.
APPLICATION		
DO NOT SCALE	CODE	S401-29(SS0-19P)
NOTICE TO PERSONS RECEIVING THIS DRAWING THE TECHNICAL MATERIEL CORPORATION claims proprietary right in the material disclosed hereon. This drawing is issued in confidence for engineering information only and may not be reproduced or used to manufacture anything shown hereon without permission from THE TECHNICAL MATERIEL CORPORATION to the user. This drawing is loaned for mutual assistance and is subject to recall at any time.		

UNLESS OTHERWISE SPECIFIED DIMENSIONS ARE IN INCHES AND INCLUDE CHEMICALLY APPLIED OR PLATED FINISHES	FINAL APPROVAL OLEG	DATE
DECIMALS .X ± .05 .XX ± .01 .XXX ± .005	FRACTIONS 1/64 ANGLES 0° 30'	DATE
MATERIAL	ELECT. DES.	DATE
FINISH	CHECKED	DATE
	DRAWN	DATE

THE TECHNICAL MATERIEL CORP. MAMARONECK, NEW YORK			
TRANSFORMER, AUDIO, OUTPUT MATCHING			
SIZE B	CODE IDENT. NO. 82679	DWG NO. TF358	ISSUE A
SCALE		SHEET OF	