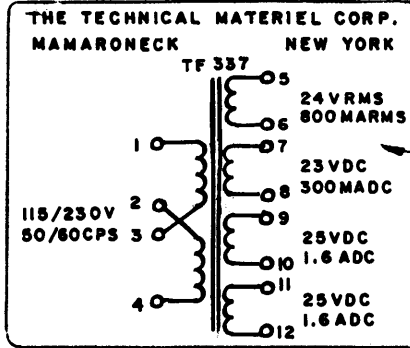


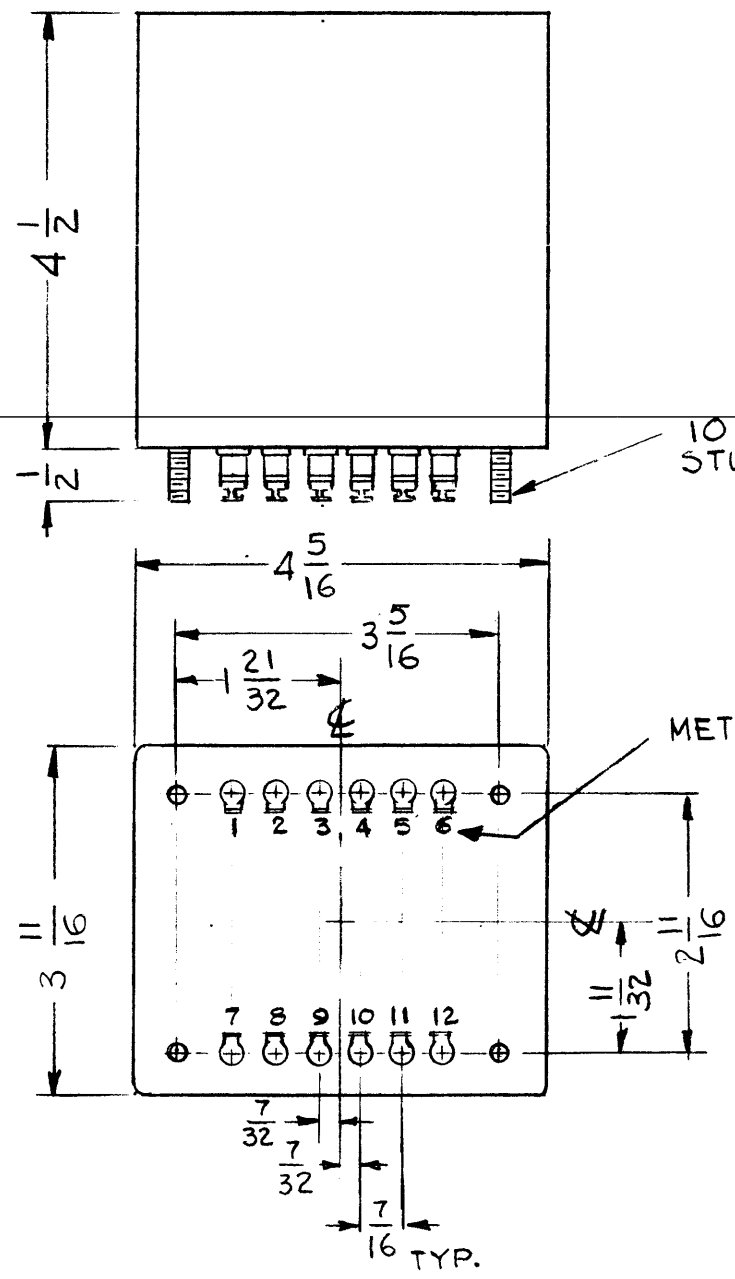
STANDARD DRAWING

TF 337

REVISIONS						
SYM	DESCRIPTION	DATE	E.M.N. NO.	DRAFT	CHKD	APPD
Ø	ORIGINAL RELEASE FOR PRODUCTION	4-7-66	M	JC		



SCHEMATIC DIAGRAM TO BE PLACED ON TOP SURFACE OF TRANSFORMER, PER TMC SPECIFICATION S727.



-ELECTRICAL SPECIFICATIONS-

TRANSFORMER, POWER
CASE DATA:
 HERMETICALLY SEALED
 FULLY INCLOSED
 FINISH: SMOOTH GRAY ENAMEL (TMC SPEC S115) EXCEPT TERM. END
PRIMARY WINDING:
 VOLTAGE: 115V, 230V
 FREQUENCY: 50/60CPS
 PHASE: ONE
SECONDARY WINDING
 24VRMS, 800MARMs, 23VDC, 30MADC, 25VDC 1.6ADC, 25VDC 1.6ADC
BODY DIMENSIONS: 4-5/16" LONG
 3-11/16" WIDE
 6" HIGH
TERMINAL DATA: 12 TERMINALS
 SOLDER TYPE 1/2 HIGH INSULATED
MOUNTING DATA:
 MOUNTING METHOD: STUD
 MOUNTING DIMENSIONS: (4) 10-32 STUDS ON 2-11/16 x 3-5/6 CENTERS
 1/2 HIGH
MARKING: METAL STAMP TERMINALS 1 THRU 12 AS SHOWN, MARK TOP AS SHOWN PER TMC SPEC. S727

REQ'D.	ITEM	PART NUMBER	DESCRIPTION	SYMBOL
EATON LIST OF MATERIAL				
MATERIAL			THE TECHNICAL MATERIEL CORP. MAMARONECK, NEW YORK	
FINISH			TITLE TRANSFORMER, POWER	
UNLESS OTHERWISE SPECIFIED DIMENSIONS ARE IN INCHES AND INCLUDE CHEMICALLY APPLIED OR PLATED FINISHES				
DRAWN G.O.L.		DATE 4-4-65	FINAL APPROVAL	
CHECKED		DATE 4-7-66	DATE 4/7/66	
ELECT. DES.		DATE	TF 337	
MECH. DES.		DATE	Ø	
TOLERANCES		DATE	SHEET	
DECIMALS		DATE	REV. LTR.	
.X ± .05		DATE		
.XX ± .01		DATE		
.XXX ± .005		DATE		
FRACTIONS		DATE		
± 1/64		DATE		
ANGLES		DATE		
± 0° 30'		DATE		

1	RTPH	
Q'TY./UNIT	MODEL USED ON	ASS'Y. NO.
SCALE 1:2	CODE	S401-30 (7 1985)
THE CONTENTS OF THIS DRAWING ARE THE EXCLUSIVE PROPERTY OF THE TECHNICAL MATERIEL CORP. ITS UNAUTHORIZED USE OR REPRODUCTION IN WHOLE OR IN PART IS STRICTLY FORBIDDEN.		

NOTES