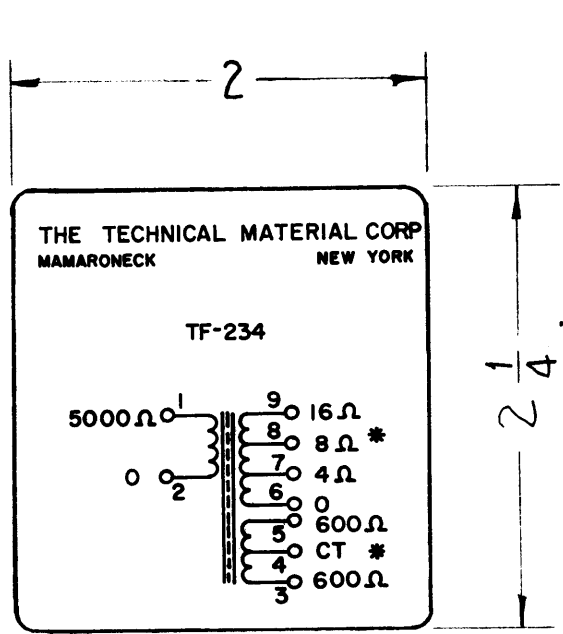
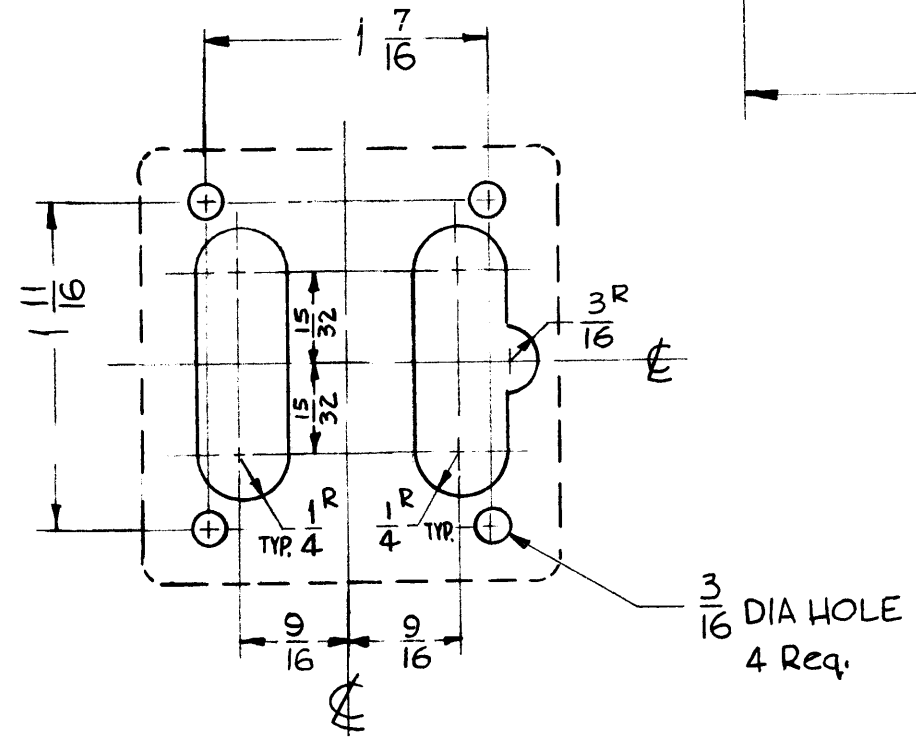
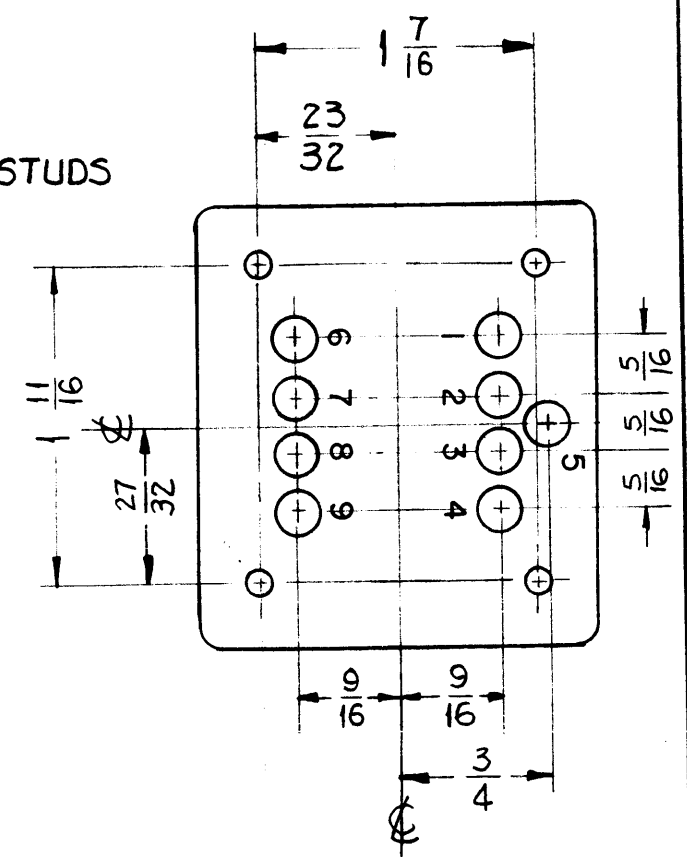
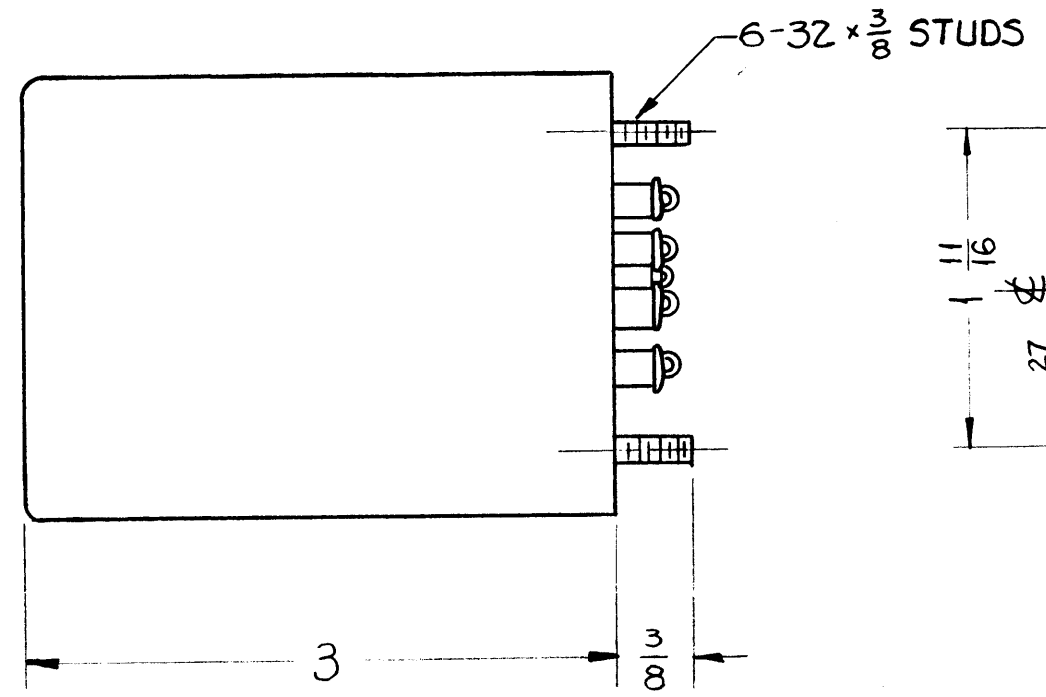


TF-234



*PRI-IMP 5000Ω WITH BOTH SEC. LOADED



DRILLING PLAN

ELECTRICAL SPECIFICATIONS

MAX PRI CURRENT 50 MA
 MAX POWER OUTPUT 3 WATTS
 HIGH POT at 60 CPS 1500 volts

MECHANICAL SPECIFICATION

CASE- Hermetically sealed in rectangular sealed case.
 FINISH- S115 smooth grey enamel.
 STAMPING- Black lettering(S detail)
 NOTE: manufactured in accordance with MIL spec T-27-A except that MIL spec T-27-A shall not appear on case and qualification testing is not required.

SYM	DESCRIPTION	DATE	CH. NO.	DRAFTS	CHECKER	ENG. APP.
	UNLESS OTHERWISE SPECIFIED: DIMENSIONS ARE IN INCHES TOLERANCES ON FRACTIONS ± 1/64 DECIMALS ± .05 ANGLES ± 1/20					
	SCALE: S-401-30#4231 MAXIMUM ALLOWABLE TOLERANCES HAVE BEEN DETERMINED AND ANY DEVIATIONS WILL BE CAUSE FOR REJECTION. REMOVE ALL BURRS AND SHARP EDGES					

REQ. PER UNIT	MODEL	SECTION	ASSY. NO.	DATE
1	GPR-9Z			9-18-61
	USED ON			

REQ. ITEM	PART NO.	GELLMAN	DESCRIPTION	SYMBOL
		THE TECHNICAL MATERIEL CORP. MAMARONECK, NEW YORK		
	STOCK SIZE	TRANSFORMER, AUDIO OUTPUT		
	MATERIAL			
		RUZZO	JMA BP	
		MP.		
		TF-234		