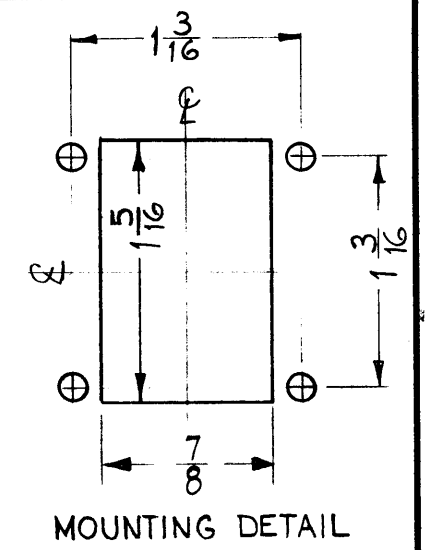
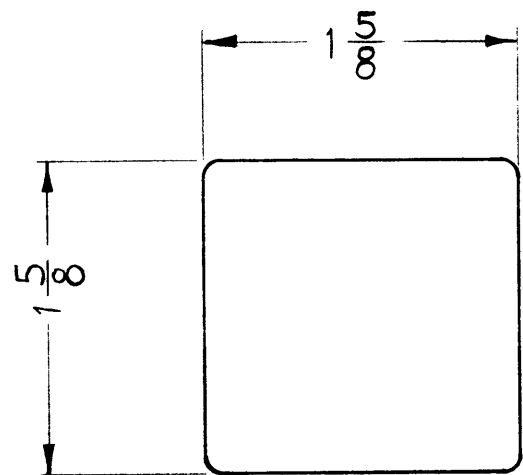
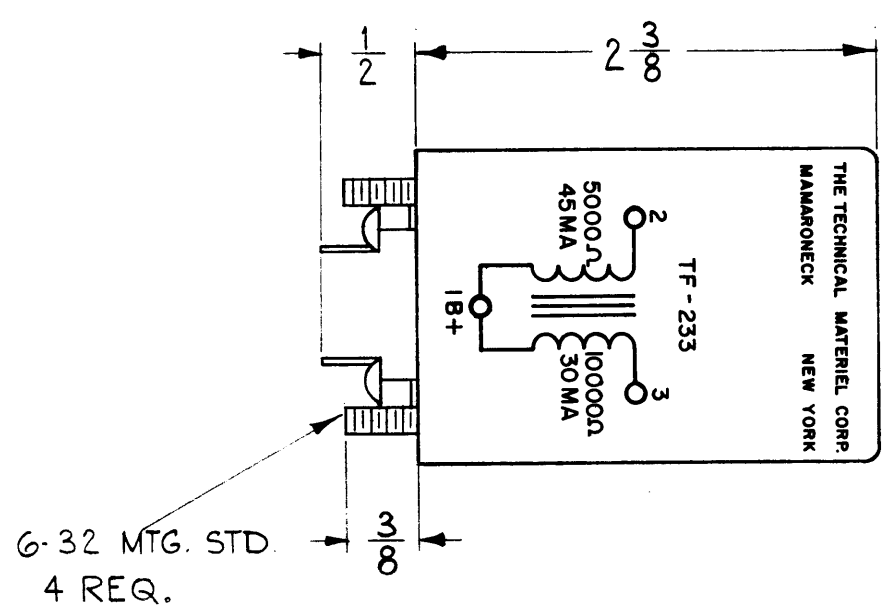
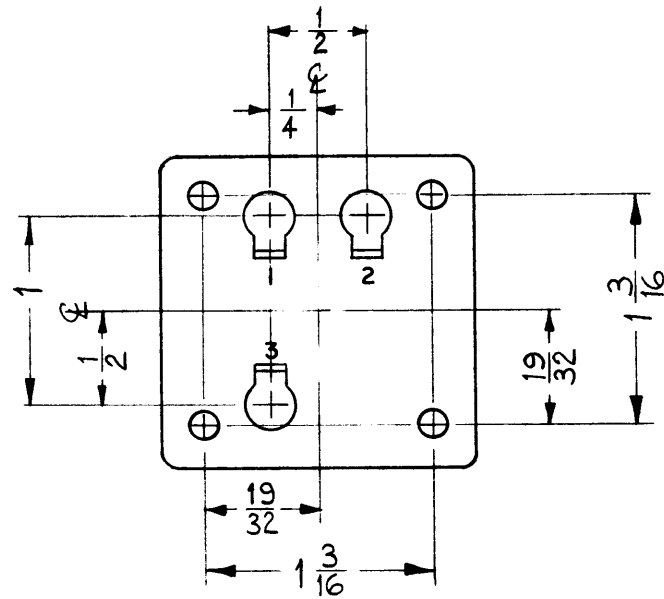


TF-233



6-32 MTG. STD.  
4 REQ.

ELECTRICAL SPECIFICATIONS~

PRIMARY ~ 5000Ω @ 45 ± 10% MA DC.  
 SECONDARY ~ 10,000Ω @ 30 ± 10% MA DC.  
 POWER ~ 5W  
 FREQ. RESPONSE ~ 300 CPS TO 10,000 CPS  
 WITHIN 3db.  
 INSULATION ~ 1500 VOLTS

NOTES~

1~ LETTERING & LINE WORK TO BE BLACK AS SHOWN.  
 2~ MANUFACTURED IN ACCORDANCE WITH MIL SPEC. T-27-A  
 EXCEPT THAT MIL SPEC. T-27-A SHALL NOT APPEAR  
 ON CASE AND QUALIFICATION TESTING IS NOT REQUIRED

FINISH ~  
 S115 TMC SMOOTH GREY ENAMEL.

THE TECHNICAL MATERIEL CORP.  
 MAMARONECK, NEW YORK

SYM	DESCRIPTION	DATE	CH. NO.	DRAFTS	CHECKER	ENG. APP.

UNLESS OTHERWISE SPECIFIED:  
 DIMENSIONS ARE IN INCHES  
 TOLERANCES ON FRACTIONS ± 1/64 DECIMALS ± .005 ANGLES ± 1/2°

SCALE: FULL (Do Not Scale)

MAXIMUM ALLOWABLE TOLERANCES HAVE BEEN DETERMINED AND ANY DEVIATIONS WILL BE CAUSE FOR REJECTION.  
 REMOVE ALL BURRS AND SHARP EDGES

REQ. PER UNIT	MODEL	SECTION	ASS'Y. NO.	DATE
1	GPE-1			7-7-61

USED ON

REQ.	ITEM	PART NO.	DESCRIPTION	SYMBOL
			THE TECHNICAL MATERIEL CORP. MAMARONECK, NEW YORK	
			STOCK SIZE	
			TRANSFORMER, MODULATION	
			MATERIAL	
			TYPE & TEMPER	
			HEAT TREAT. SPEC.	
			DRAWN	
			CHECKER	
			FINAL APPROVAL	
			SEE NOTE	
			FINISH & SPEC. NO.	
			ELEC. DES. APP.	
			MECH. DES. APP.	
			TF-233	