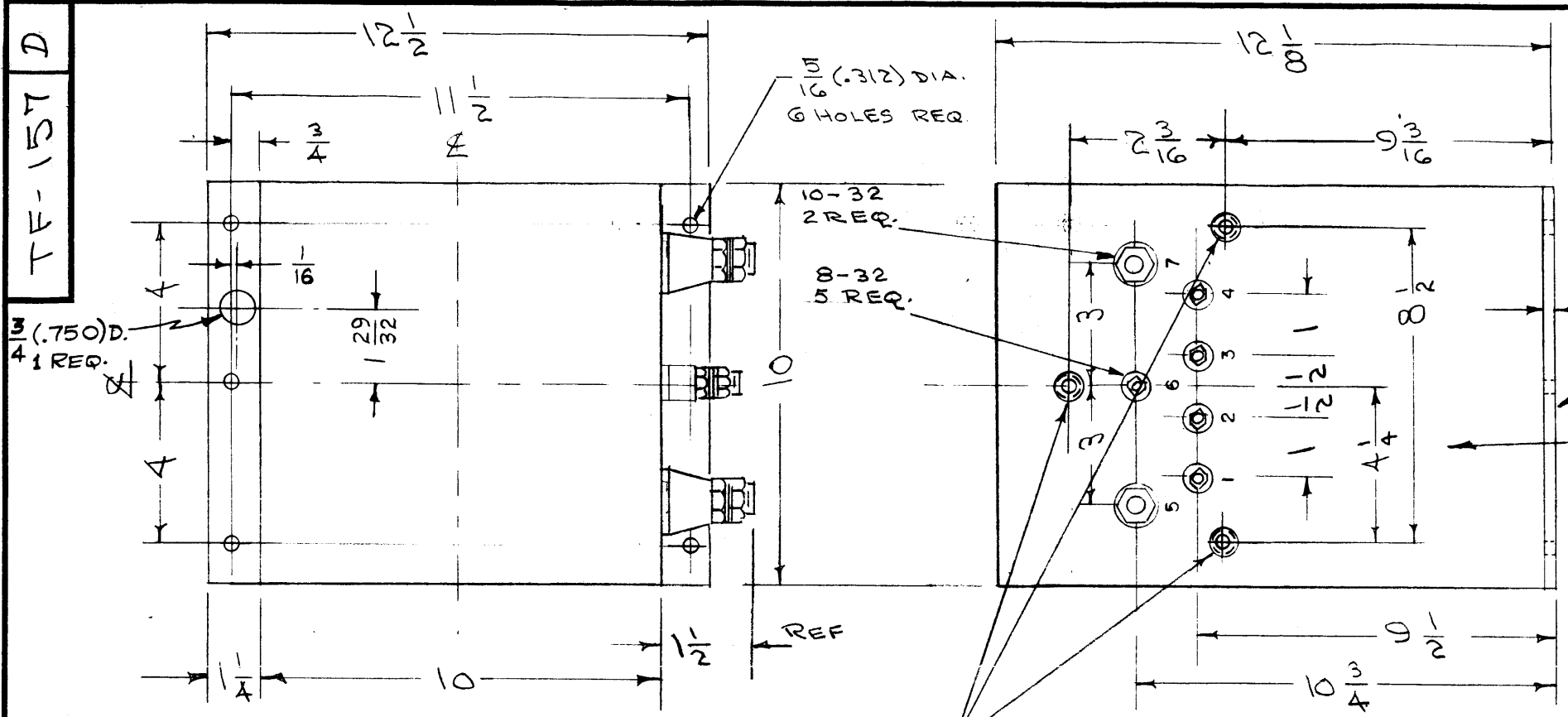


TF-157 D



METAL STAMP AS SHOWN 1, 2, 3, 4, 5, 6 & 7.

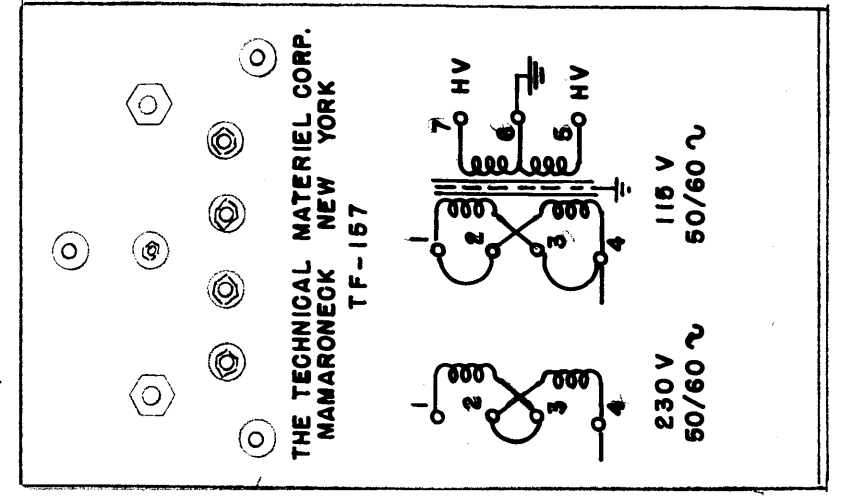
TAPPED INSERTS 10-32 X 1/2 DEEP 3 REQ.

MECHANICAL SPECIFICATIONS
 CASE - STEEL, HERMETICALLY SEALED, RECTANGULAR
 COLOR - TMC SMOOTH GRAY (S-115)

INSERTS - 10-32 X 1/2 DEEP.
 SIZE - 10 X 10 X 12 1/8 EXCLUSIVE OF TERMINALS AND
 MOUNTING PLATE LIPS

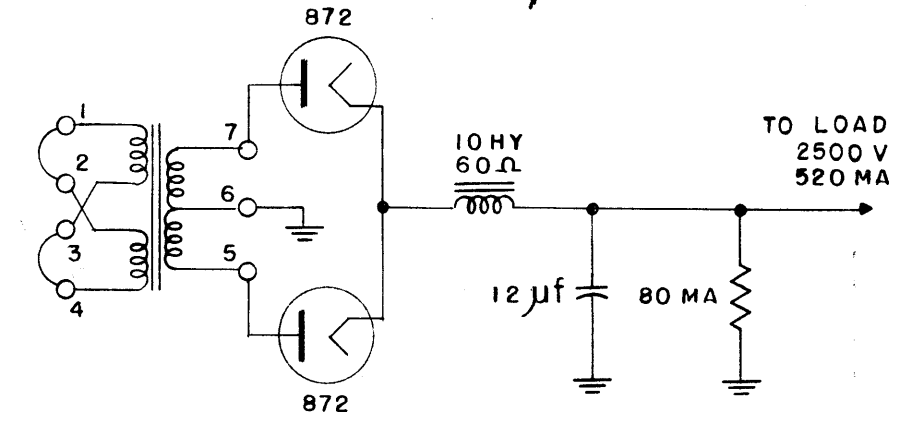
NOTE: MANUFACTURED IN ACCORDANCE WITH MIL SPEC T-27-A EXCEPT THAT MIL SPEC T-27-A SHALL NOT APPEAR ON CASE AND QUALIFICATION TESTING IS NOT REQUIRED.

STEEL PLATE
 PRINT SCHEMATIC IN THIS AREA



SCHEMATIC DIAGRAM TO BE PRINTED IN WHITE AS SHOWN.

ELECTRICAL SPECIFICATIONS



TRANSFORMER TO BE USED IN CIRCUIT AS ABOVE -
 PRIMARY - 115/230 V AC, 50/60 CPS.
 SECONDARY - 2500 V, 600 MA ACROSS LOAD.
 ELECTROSTATIC SHIELD SHALL BE INSERTED (FOIL).

D	1	NOTE ADDED (MIL T-27-A)	6-29-60	2572			16
C	1	3/4 D. HOLE ADDED	12/13/56	4	16		WE
B	1	SCHEMATIC DIAGRAM MOVED	5/9/56	3	16		WE
A	2	INSERTS DELETED	11/25/55	2			WE
A	1	TERM. LAYOUT REVISED	11/25/55	1			AJT
ISSUE	ITEM	CHANGED FROM	DATE	CH. NO.	DRAFTS	CHECKER	ENG. APP.
TOLERANCES			SCALE:				
DEC. DIM. ±			MAXIMUM ALLOWABLE TOLERANCES HAVE BEEN DETERMINED AND ANY DEVIATIONS WILL BE CAUSE FOR REJECTION. REMOVE ALL BURRS AND SHARP EDGES				
FRAC. DIM. ±							
ANGULAR DIM. ±							
A			CAB/FRA				
			REQ. PER UNIT	MODEL	PROJECT NO.	ASS'Y. NO.	DATE
			USED ON				

REQ. ITEM	PART NO.	DESCRIPTION	SYMBOL
		THE TECHNICAL MATERIEL CORP. MAMARONECK, NEW YORK	
STOCK SIZE		TRANSFORMER, PLATE POWER	
MATERIAL		GPT-750	
		CDD 10-2555	
TYPE & TEMPER	HEAT TREAT. SPEC.	DRAWN	CHECKED
FINISH & SPEC. NO.	ELEC. DES. APP.	MECH. DES. APP.	
			TF-157 D