

IF IT IS FOUND DESIRABLE TO CHANGE ANY TOLERANCE OR OTHER DETAIL SPECIFIED ON THIS DRAWING NOTIFY THE PURCHASER PROMPTLY.

MAXIMUM ALLOWABLE TOLERANCES HAVE BEEN DETERMINED AND DEVIATIONS WILL BE CAUSE FOR REJECTION. REMOVE ALL BURRS AND SHARP EDGES

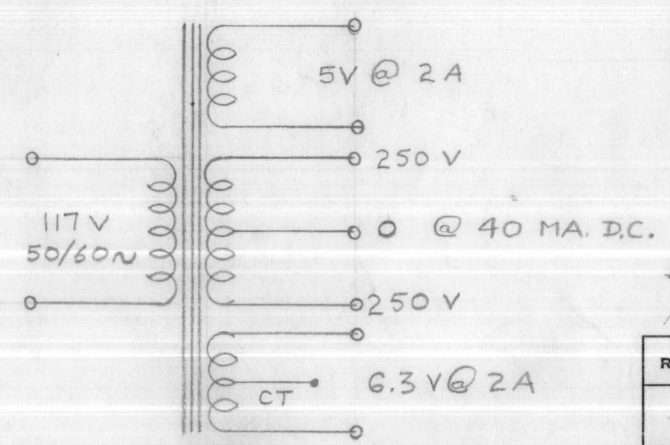
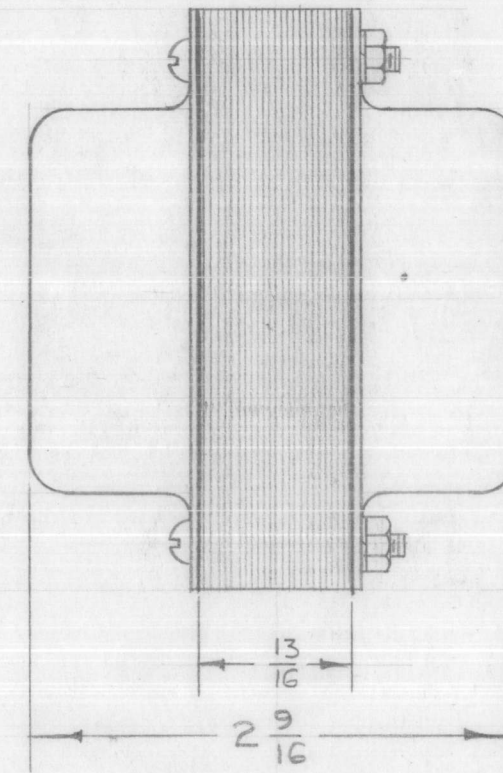
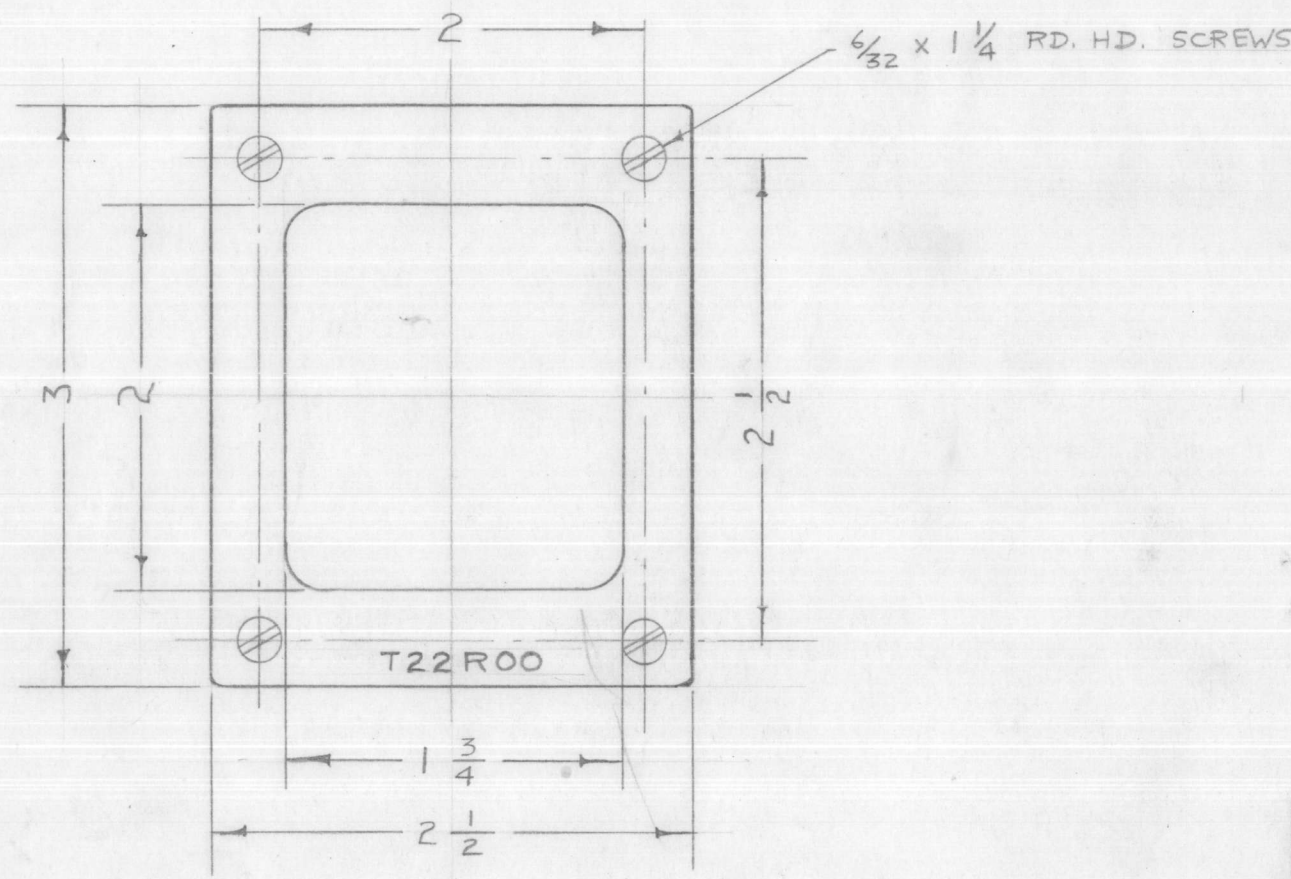
TF-130 A

NOTICE TO PERSONS RECEIVING THIS DRAWING

THE TECHNICAL MATERIEL CORPORATION claims proprietary right in the material disclosed hereon. This drawing is issued in confidence for engineering information only and may not be reproduced or used to manufacture anything shown hereon without permission from THE TECHNICAL MATERIEL CORPORATION to the user. This drawing is loaned for mutual assistance and is subject to recall at any time.

Property of:

THE TECHNICAL MATERIEL CORPORATION
MAMARONECK, NEW YORK



SCHEMATIC

DIM. FOR REF. ONLY

REF T22R00 ON ELEC. MFG. DIV. (T-22R00)

REQ.	ITEM	PART NO.	DESCRIPTION	SYMBOL
	//		THE TECHNICAL MATERIEL CORP. MAMARONECK, NEW YORK	
	STOCK SIZE	//	TRANSFORMER,	
	MATERIAL	WEIGHT PER PC.	POWER	
	TYPE & TEMPER		46 9/14/53	G.T.O. WDC
	HEAT TREAT. SPEC.		JADe	G.T.O. WDC
	FINISH & SPEC. NO.		CHECKED	FINAL APPROVAL
				TF-130 A

A	1	SCHEMATIC ADDED	10/12/53	1	16	COB	WDC
ISSUE	ITEM	CHANGED FROM	DATE	CN. NO.	DRAFTS	CHECKER	ENG. APP.

TOLERANCES		SCALE: S401-156
ALL OTHERS	DEC. DIM. ± FRAC. DIM. ± ANGULAR DIM. ±	DRILL, PUNCH, COMMERCIAL STOCK SIZES AND MANUFACTURERS TOLERANCES ARE NOT INCLUDED.

RSM	170	TF-131	9/14/53
MODEL	PROJECT NO.	ASS'Y. NO.	DATE
USED ON			