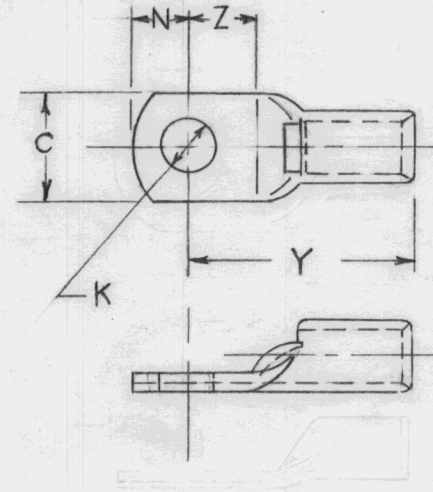


TMC PART No	WIRE SIZE	STUD SIZE	CAT. No.	C	K	N	Y	Z	REQ. PER. UNIT	USED ON			TE-186
									2	MODEL	ASSY. NO.	DATE	
TE-186-1	6	1/4	YAV6CL	.50	.272	.25	1.02	.30		RAC-30A	A-1178	2-21-61	

STANDARD DRAWING



REF: BURNDY CORP

REQ.	ITEM	PART NO.	DESCRIPTION		SYMBOL								
			THE TECHNICAL MATERIEL CORP.										
			MAMARONECK, NEW YORK										
			LUG, SOLDERLESS										
			COPPER										
			MATERIAL										
			TIN PLATED										
			FINISH & SPEC. NO.										
ISSUE	ITEM	CHANGED FROM	DATE	CH. NO.	DRAFTS	CHECKER	ENG. APP.	TYPE & TEMPER	HEAT TREAT. SPEC.	DRAWN	CHECKED	FINAL APPROVAL	
TOLERANCES			SCALE:										
DEC. DIM. ±			MAXIMUM ALLOWABLE TOLERANCES HAVE BEEN DETERMINED AND ANY DEVIATIONS WILL BE CAUSE FOR REJECTION.										
FRAC. DIM. ±			REMOVE ALL BURRS AND SHARP EDGES										
ANGULAR DIM. ±													