

IF IT IS FOUND DESIRABLE TO CHANGE ANY TOLERANCE OR OTHER DETAIL SPECIFIED ON THIS DRAWING NOTIFY THE PURCHASER PROMPTLY.

STANDARD DRAWING

TE-144

MAXIMUM ALLOWABLE TOLERANCES HAVE BEEN DETERMINED AND DEVIATIONS WILL BE CAUSE FOR REJECTION. REMOVE ALL BURRS AND SHARP EDGES

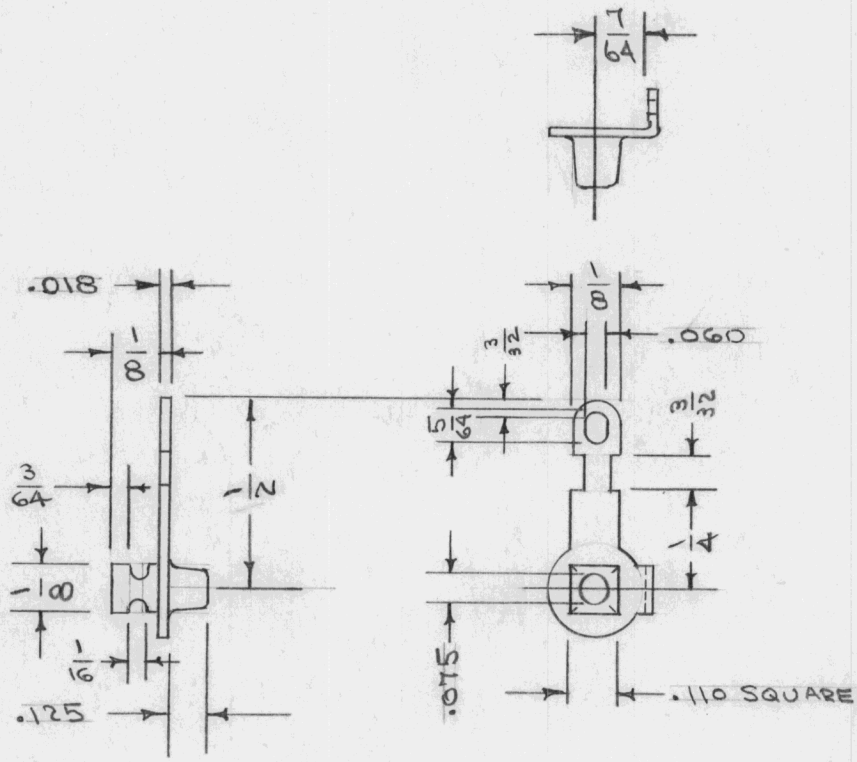
USED ON

MODEL

PROJECT NO.

ASSY. NO.

DATE



REF: ZIERICK MFG. CO. CAT. NO. 294

REQ.	ITEM	PART NO.	DESCRIPTION	SYMBOL
			THE TECHNICAL MATERIEL CORP.	
			MAMARONECK, NEW YORK	
STOCK SIZE			TERMINAL, EYLET	
BRASS			STRAIGHT TYPE	
MATERIAL			C.D.D. 12-8-54 P.L.K. 1-28-55	
WEIGHT PER PC.			WJ	
TYPE & TEMPER			DRAWN ELEC. DES. APP. MECH. DES. APP.	
			G.T.O	
HEAT TREAT. SPEC.			CHECKED FINAL APPROVAL	
HOT TINNED			TE-144	
FINISH & SPEC. NO.				

ISSUE	ITEM	CHANGED FROM	DATE	CN. NO.	DRAFTS	CHECKER	ENG. APP.
TOLERANCES			SCALE				
ALL OTHERS			DRILL, PUNCH, COMMERCIAL STOCK SIZES AND MANUFACTURERS TOLERANCES ARE NOT INCLUDED.				
DEC. DIM. ±							
FRAC. DIM. ±							
ANGULAR DIM. ±							