

IF IT IS FOUND DESIRABLE TO CHANGE ANY TOLERANCE OR OTHER DETAIL SPECIFIED ON THIS DRAWING NOTIFY THE PURCHASER PROMPTLY.

RELEASED

STANDARD DRAWING

TE-113

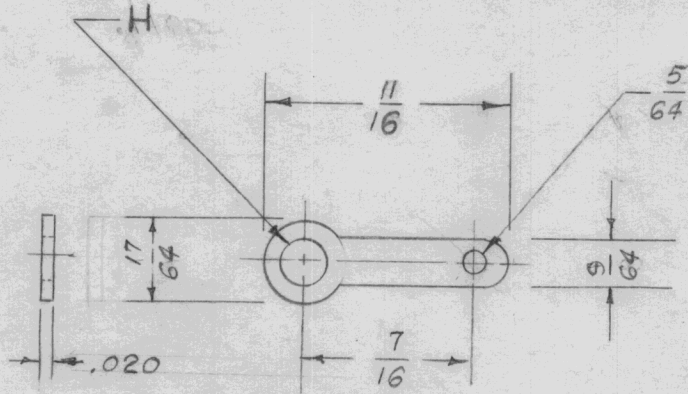
A

MAXIMUM ALLOWABLE TOLERANCES HAVE BEEN DETERMINED AND DEVIATIONS WILL BE CAUSE FOR REJECTION. REMOVE ALL BURRS AND SHARP EDGES

USED ON

MODEL	PROJECT NO.	ASS'Y. NO.	DATE
FFR	104	A-278	12-4-57

"H" HOLE SIZES .120 .149 .169 .180



TYPE DESIGNATION TO BE IN FOLLOWING FORM

TE - 113 - .120

TYPE TMC NO. "H" HOLE SIZE

DIMENSIONS FOR REF. ONLY.

REF. ZIERICK MFG. CO. NO. 9

REQ.	ITEM	PART NO.	DESCRIPTION	SYMBOL
		.020 THK.	THE TECHNICAL MATERIEL CORP. MAMARONECK. NEW YORK	
		STOCK SIZE		
		BRASS	LUG, TERMINAL	
		MATERIAL WEIGHT PER PC.		
			C.D.D 12-4-57	
			TYPE & TEMPER	G.T.O
			DRAWN	
			ELEC. DES. APP.	
			MECH. DES. APP.	
			HEAT TREAT. SPEC.	
		HOT TINNED	CHECKED	FINAL APPROVAL
		FINISH & SPEC. NO.		TE-113

ISSUE	ITEM	CHANGED FROM	DATE	CN. NO.	DRAFTS	CHECKER	ENG. APP.
A	1	REDRAWN	2/23/58	1	13	JAW	

TOLERANCES

SCALE TWICE SIZE.

ALL OTHERS

DEC. DIM.  $\pm .005$   
FRAC. DIM.  $\pm \frac{1}{64}$   
ANGULAR DIM.  $\pm$

DRILL, PUNCH, COMMERCIAL STOCK SIZES AND MANUFACTURERS TOLERANCES ARE NOT INCLUDED.