

IF IT IS FOUND DESIRABLE TO CHANGE ANY TOLERANCE OR OTHER DETAIL SPECIFIED ON THIS DRAWING NOTIFY THE PURCHASER PROMPTLY.

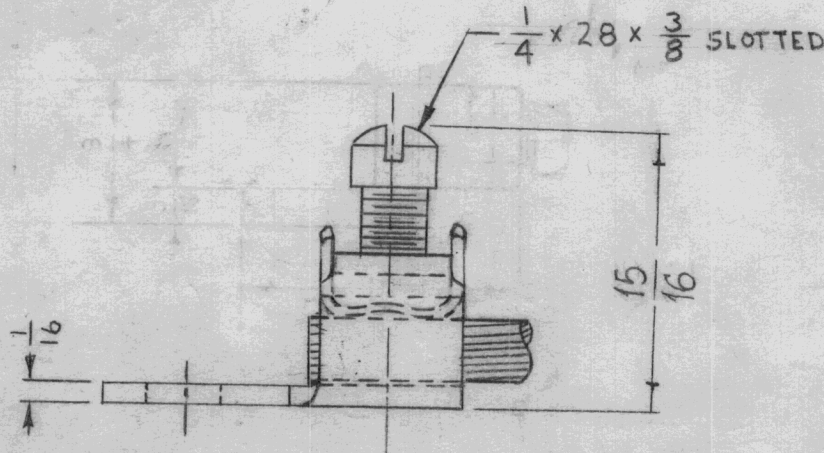
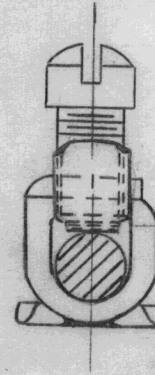
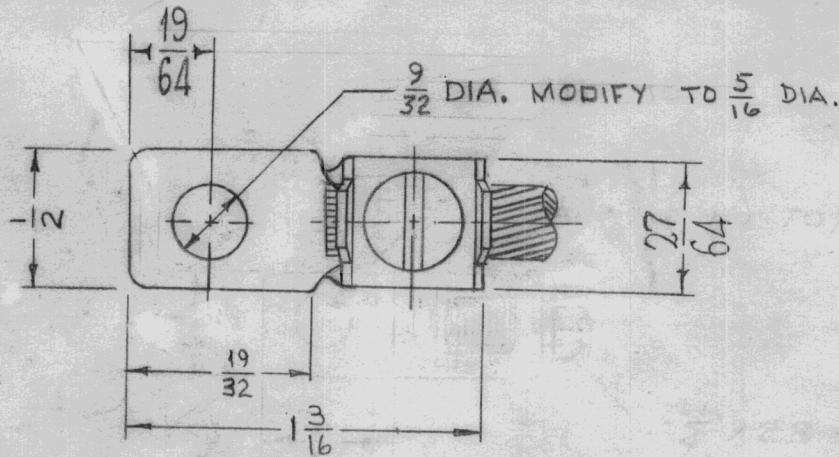
MAXIMUM ALLOWABLE TOLERANCES HAVE BEEN DETERMINED AND DEVIATIONS WILL BE CAUSE FOR REJECTION. REMOVE ALL BURRS AND SHARP EDGES

STANDARD DRAWING

TE-106 D

USED ON

MODEL	PROJECT NO.	ASS'Y. NO.	DATE
	141	A-130	1-5-52
TER-5000			5-12-57



DIMENSIONS FOR REF ONLY.
ACCEPTS CABLE SIZE: #4 STR. (.231) TO #14 SOL. (.064)

D	1	PICT. REVISED & REDRAWN.	2-26-65	13558	28.	JCB	
C	1	REF. WAS: DOFFERT MFG. Co. Cat. HL-4-1-50	9557	3	EC.	JCB	
B	1	REDRAWN	1/5/53	2	16	JCB	
ISSUE	ITEM	CHANGED FROM	DATE	CN. NO.	DRAFTS	CHECKER	ENG. APP.

REQ.	ITEM	PART NO.	DESCRIPTION	SYMBOL
		//	THE TECHNICAL MATERIEL CORP. MAMARONECK, NEW YORK	
		STOCK SIZE		
		COPPER ALLOY	//	SOLDERLESS LUG
		MATERIAL	WEIGHT PER PC.	
		TYPE & TEMPER	16 1-5-53	
		HEAT TREAT. SPEC.	DRAWN	ELEC. DES. APP. MECH. DES. APP.
		FINISH & SPEC. NO.	CHECKED	FINAL APPROVAL

TOLERANCES

SCALE 5401-226 (TYPE KPA 4C)

ALL OTHERS
DEC. DIM. ±
FRAC. DIM. ±
ANGULAR DIM. ±

DRILL, PUNCH, COMMERCIAL STOCK
SIZES AND MANUFACTURERS
TOLERANCES ARE NOT INCLUDED.

TE 106 D