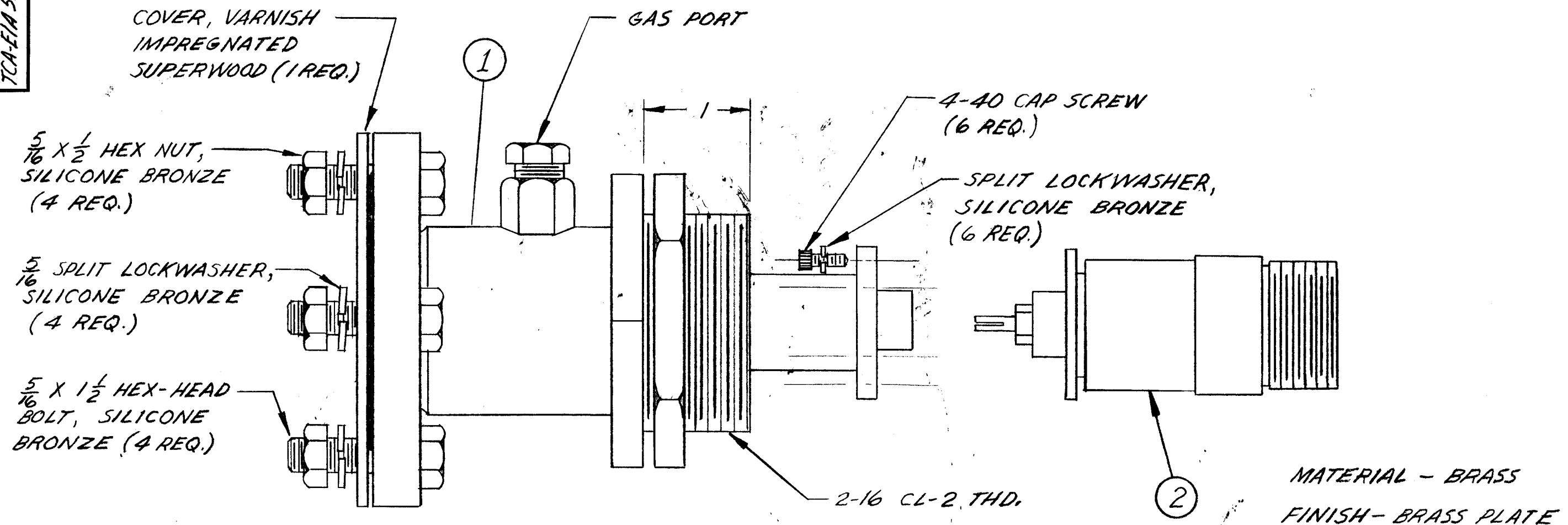


TCA-EIA 51625/LC

THE CONTENTS OF THIS DRAWING ARE THE EXCLUSIVE PROPERTY OF THE TECHNICAL MATERIEL CORP. ITS UNAUTHORIZED USE OR REPRODUCTION IN WHOLE OR IN PART IS STRICTLY FORBIDDEN.

MODEL	SUPPLIED WITH STRAIGHT PLUG	SUPPLIED WITH ANGLE PLUG	CABLE
TCA-EIA 51625/LC-1	UG 154/U		RG-17, 18, 35, 164, 218, 219/U
TCA-EIA 51625/LC-2		PL-197	RG-17, 18, 35, 164, 218, 219/U



NOTE:
 1. 2 1/8" DIA. HOLE REQUIRED FOR MOUNTING.
 2. OVERALL DIMENSION IS APPROX 7 5/8".

1	2	JJ-237	CONNECTOR, RECEPTACLE	
1	1	PO-249	FEED THRU	
REQ.	ITEM	PART NO.	DESCRIPTION	SYMBOL
			THE TECHNICAL MATERIEL CORP., MAMARONECK, NEW YORK	
			CONNECTOR, RECEPTACLE, ELECTRICAL (FEEDTHRU 1 5/8" EIA 50Ω TO LC)	
			WA RUZZO	SJM
			TYPE & TEMPER	HEAT TREAT. SPEC.
			DRAWN	CHECKED
			FINISH & SPEC. NO.	ELEC. DES. APP. MECH. DES. APP.
				TCA-EIA 51625/LC

A	ITEM(1) WAS EIA-51625	10-15-62	7445	ES	X	9/8
SYM	DESCRIPTION	DATE	CH. NO.	DRAFTS	CHECKER	ENG. APP.
UNLESS OTHERWISE SPECIFIED:		SCALE:				
DIMENSIONS ARE IN INCHES		MAXIMUM ALLOWABLE TOLERANCES HAVE BEEN DETERMINED AND ANY DEVIATIONS WILL BE CAUSE FOR REJECTION.				
TOLERANCES ON FRACTIONS ± 1/64		REMOVE ALL BURRS AND SHARP EDGES				
DECIMALS ± .005		SEE CHART				
ANGLES ± 1/2°		12-21-61				
REQ. PER UNIT	MODEL	SECTION	ASS'Y. NO.	DATE	USED ON	