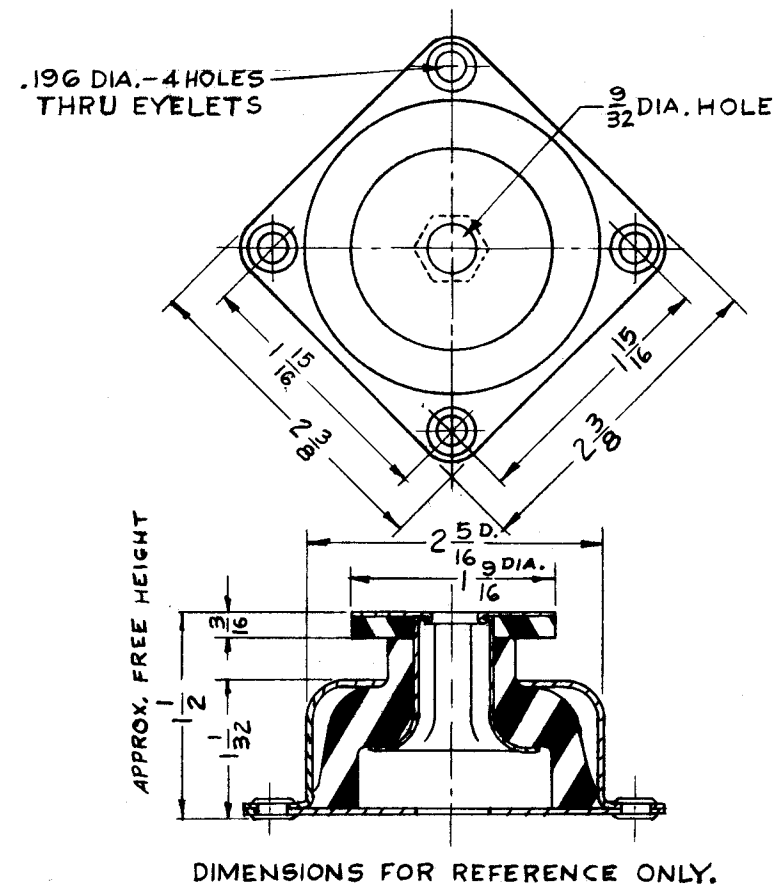
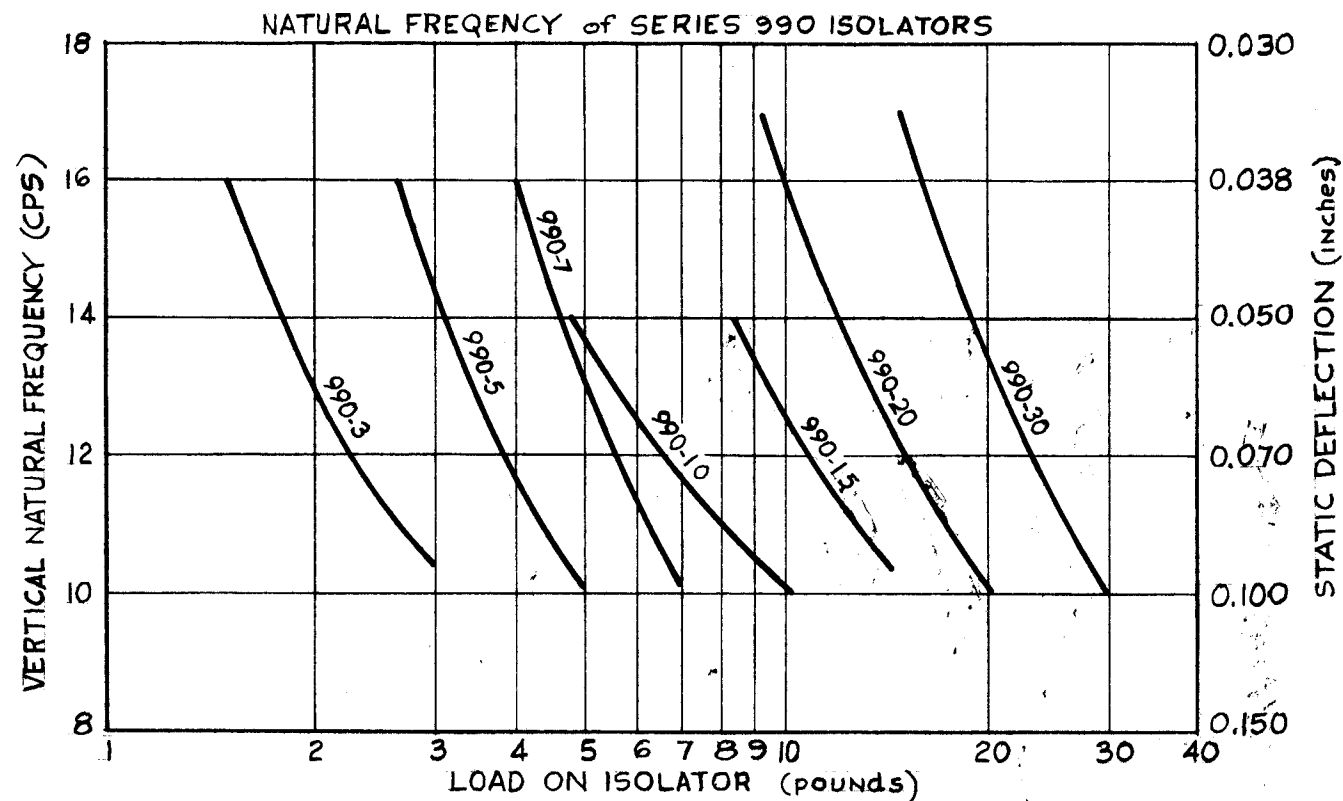


THE CONTENTS OF THIS DRAWING ARE THE EXCLUSIVE PROPERTY OF THE TECHNICAL MATERIEL CORP. ITS UNAUTHORIZED USE OR REPRODUCTION IN WHOLE OR IN PART IS STRICTLY FORBIDDEN.

STANDARD DRAWING

SH-112



LOAD RATINGS

TMC NO.	MFG. NO.	MAXIMUM LOAD PER ISOLATOR
SH-112-1	990-3	3 lbs.
SH-112-2	990-5	5 lbs.
SH-112-3	990-7	7 lbs.
SH-112-4	990-10	10 lbs.
SH-112-5	990-15	15 lbs.
SH-112-6	990-20	20 lbs.
SH-112-7	990-30	30 lbs.

NOTES:

APPROXIMATE WEIGHT 4 OZ.
DYNAMIC STIFFNESS - HORIZONTAL: VERTICAL = 0.50 (APPROX.)

SYM	DESCRIPTION	DATE	CH. NO.	DRAFTS	CHECKER	ENG. APP.	REQ.	ITEM	PART NO.	DESCRIPTION	SYMBOL
UNLESS OTHERWISE SPECIFIED:							THE TECHNICAL MATERIEL CORP., MAMARONECK, NEW YORK				
DIMENSIONS ARE IN INCHES							SHOCK ISOLATOR				
TOLERANCES ON FRACTIONS ± 1/64 DECIMALS ± .005 ANGLES ± 1/2°							COLD-ROLLED STEEL				
SCALE: S401-168 (990)							MATERIAL				
MAXIMUM ALLOWABLE TOLERANCES HAVE BEEN DETERMINED AND ANY DEVIATIONS WILL BE CAUSE FOR REJECTION. REMOVE ALL BURRS AND SHARP EDGES							CADMIUM PLATE				
REQUIREMENTS PER UNIT							FINISH & SPEC. NO.				
MODEL							ELEC. DES. APP. MECH. DES. APP.				
SECTION							SH-112				
ASS'Y. NO.											
DATE											
USED ON											