

TMC SPECIFICATION

NO. S 1156

REV: **A**

COMPILED: J. Sabatino

CHECKED: *JRS* 12-1-66

APPD: *M. May 12/5/66*

SHEET 1 OF 8

TITLE:

SPECIFICATIONS

for

KIT-273

and

KIT-273-50

NOTE ALL ITEMS WITHOUT ASTERISK (*) SHALL BE SUPPLIED FOR KIT-273 AND KIT-273-50. ALL ITEMS REFERENCED WITH ASTERISK (*) SHALL BE SUPPLIED FOR KIT-273-50 ALSO.

TMC SPECIFICATION

NO. S 1156

REV: **A**

COMPILED:

CHECKED:

APPD:

SHEET 2 OF 8

TITLE: SPECIFICATION for KIT-273 and KIT-273-50

I. EQUIPMENT AFFECTED

A. All GPT-10K Transmitters which are required to accept 480, 450, 430, 410, 390 V input.

*B. All GPT-10K Transmitters which are required to operate on 50 cycle operation.

II. PURPOSE

A. To install TF 336 input transformer, mounting rails and protective covers.

*B. To replace interval timer, time total meter, centrifugal fan and electrical solenoid required for 50 cycle operation.

III. MATERIALS SUPPLIED

<u>ITEM NUMBER</u>	<u>TMC PART NUMBER</u>	<u>QTY</u>	<u>DESCRIPTION</u>	<u>SYMBOL</u>
1	TF 336	1	XFMR,PWR,SD	T801
2	MS6038	2	CHANNEL, XFMR MTG	
3	SCHH2520BN28	4	BOLT, MACH	
4	LWS25MRN	8	WASH., LK, SPLIT	
5	SCHH2520BN12	4	BOLT, MACH	
6	LWE10MRN	2	WASH., LK, EXT	
7	FW10HBN	2	WASH., FLAT	
8	SCBP1032BN8	2	SCR, MACH	
9	FW25HBN	4	WASH., FLAT	
10	PX1002	2	BLOCK, MTG	
11	LD2181/PX973-1	1	COV, PROTECT, XFMR	
12	NP362-46	1	PLATE - IDENT - MOD	

TMC SPECIFICATION

NO. S 1156

REV: A

COMPILED:

CHECKED:

APPD:

SHEET 3 OF 8

TITLE: SPECIFICATION for KIT-273 and KIT-273-50

III. MATERIALS SUPPLIED (cont)

<u>ITEM NUMBER</u>	<u>TMC PART NUMBER</u>	<u>QTY</u>	<u>DESCRIPTION</u>	<u>SYMBOL</u>
13	DRILL, 1/8	1	DRILL, TWIST, 1/8 DIA	
14	DRILL, #7 (.2010)	1	DRILL, TWIST, NO. 7	
15	TAP, #1/4-20 NC-2 THD	1	TAP, THD CTG	
*16	TI101-5-50	1	TIMER, INTERVAL	M701
*17	MR125-2-50	2	METER, TIME TOTAL	M700, M702
*18	BL111-50	1	FAN, CENTRIFUGAL	B800
*19	SZ100-50	1	SOLENOID, ELECTRICAL	L802

IV. TOOLS REQUIRED

A. To be supplied by installing activity.

V. PROCEDURE

CAUTION.....CAUTION.....CAUTION

Remove AC input to transmitter main frame and auxiliary frame before proceeding with modification. Ground out all high voltage circuitry with shorting stick.

A. PREPARATION FOR MODIFICATION

1. Open rear door to main frame.
2. Looking in left rear of main frame, locate ac input box.

B. REMOVAL OF AC INPUT ASSY AND INSTALLATION OF XFMR

1. Remove leads from insulators E8008, 8009, and 8010. Do not remove other end of leads.
2. Remove AC input box and covers (no longer required).

TMC SPECIFICATION

NO. S 1156

REV: A

COMPILED:

CHECKED:

APPD:

SHEET

4

OF 8

TITLE: SPECIFICATION for KIT-273 and KIT-273-50

B. REMOVAL OF AC INPUT ASSY AND INSTALLATION OF XFMR (cont)

3. Refer to Figure 1. Using qty 1 Item 13 (DRILL,1/8), drill pilot holes. Drill pilot holes to required diameter using qty 1 Item 14 (DRILL,#7(.2010) and tap with qty 1 Item 15 (TAP,#1/4-20 NC-2 THD). Place Item 2 (MS6038) as shown.

4. Using qty 4 Item 3 (SCHH2520BN28) and qty 4 Item 4 (LWS25MRN), secure qty 2 Item 2 (MS6038) in place as shown in Figure 1.

5. Using qty 4 Item 4 (LWS25MRN), qty 4 Item 5 (SCHH2520BN12), and qty 4 Item 9 (FW25HBN), mount qty 1 Item 1 (TF336) to Item 2 (MS6038)

6. Refer to Step 1. Take disconnected leads from insulators and connect them to respective 230 volt taps on Item 1 (TF336).

C. INSTALLATION OF COVER FOR INPUT XFMR

1. Mount qty 2 Item 10 (PX1002) straddling the 3/8 inch thick terminal board of xfmr as indicated in Figure IV.

2. Position qty 1 Item 11 (LD2181/PX973-1) on Item 10 (PX1002) and mount with qty 2 Item 7 (FW10HBN), qty 2 Item 6 (LWE10MRN) and qty 2 Item 8 (SCBP1032BN8).

3. Tighten the blocks inward so as to remove slack and sandwich xfmr terminal board into slots of Item 7 (LD2181/PX973-1).

4. Refer to Figure II main power circuit and on your schematic revise as to comply with Figure III.

D. Remove protective backing of qty 1 Item 12 (NP362-46) and attach to transmitter as evidence of complete modification.

TMC SPECIFICATION

NO. S 1156

REV: A

COMPILED:

CHECKED:

APPD:

SHEET

5

OF 8

TITLE:

SPECIFICATION for KIT-273 and KIT-273-50

* E. INSTALLATION OF REPLACEMENTS NECESSARY FOR 50 CYCLE OPERATION

1. On relay panel, remove TI101-4 or TI101-5 symbol M701 and replace with qty 1 Item 16 (TI101-5-50) to be mounted with same hardware and lead connections.
2. On relay panel, Remove MR125-2 symbol M700, M702 and replace with qty 2 Item 17 (MR125-2-50) to be mounted with same hardware and lead connections.
3. In main power supply, remove BL111 symbol B800 and replace with qty 1 Item 18 (BL111-50) to be mounted with same hardware and lead connections.
4. In main power supply, locate A1690 shorting relay assy (dead-man assy) replace SZ100 symbol L802 with qty 1 Item 19 (SZ100-50) to be mounted with same hardware and lead connections.

MODIFICATION COMPLETE

* FINAL CHECK

1. After modification is complete, check of rotation of B800, (BL111-50 - Centrifugal Fan). If rotation is found to be incorrect in accordance with direction arrow indicated on fan, phase sequence is in error. This can be corrected by reversing two input phases.

TMC SPECIFICATION

NO. S 1156

REV: A

COMPILED:

CHECKED:

APPD: *JS*

SHEET 6 OF 8

TITLE: SPECIFICATION for KIT-273 and KIT-273-50

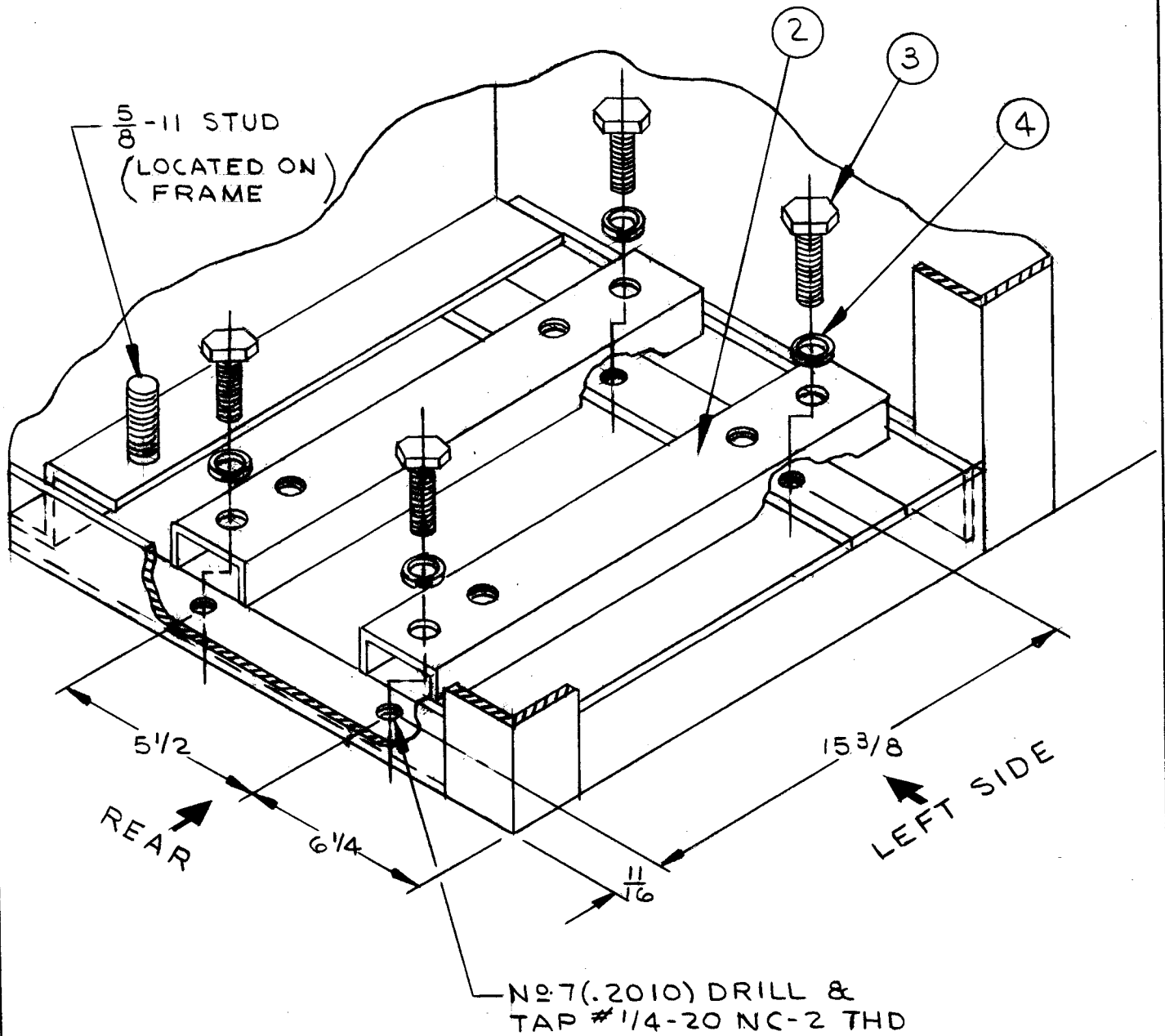


FIG. 1
LEFT REAR VIEW
OF MAIN FRAME

TMC SPECIFICATION

NO. S 1156

REV: **A**

COMPILED: *WHD*

CHECKED:

APPD: *[Signature]*

SHEET 7 OF 8

TITLE: SPECIFICATION for KIT-273 and KIT-273-50

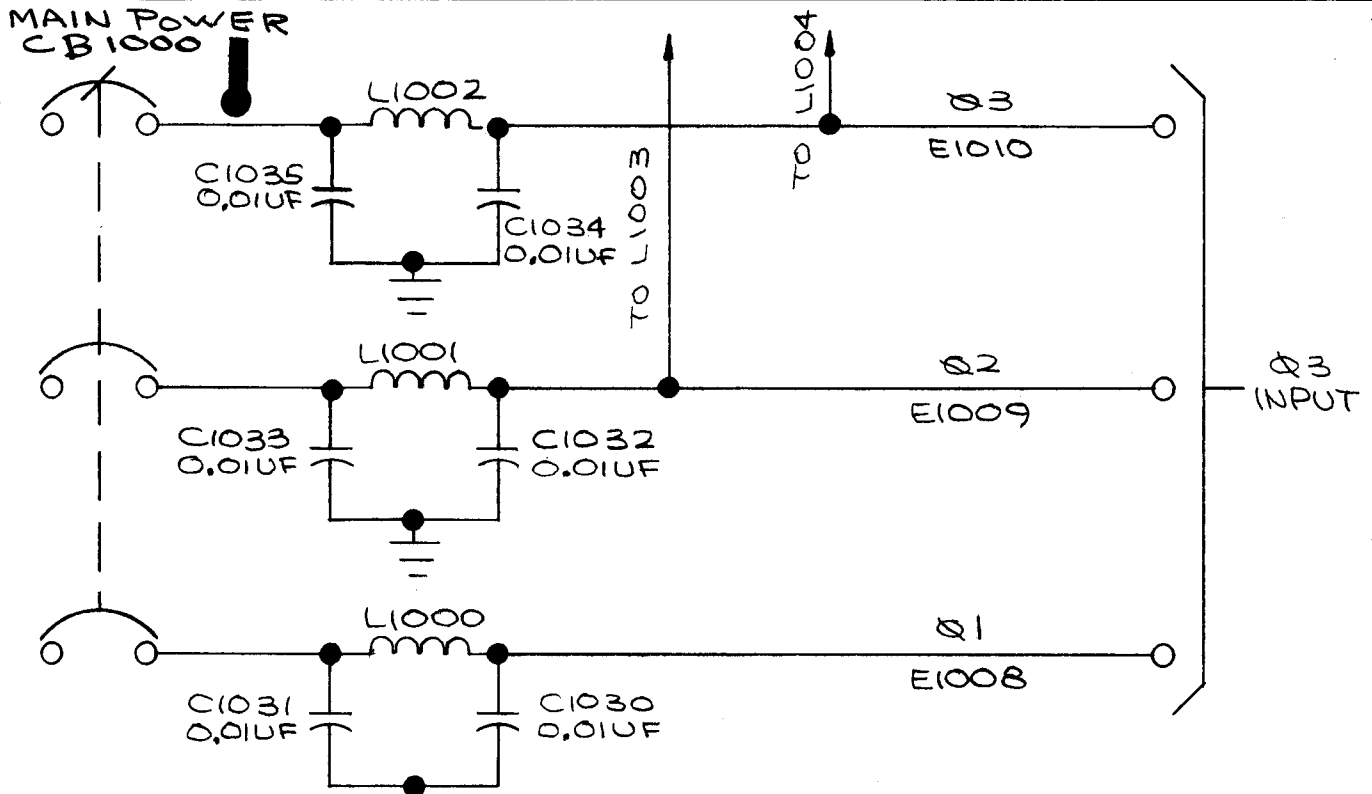


FIGURE II. MAIN POWER CKT - - - BEFORE MODIFICATION

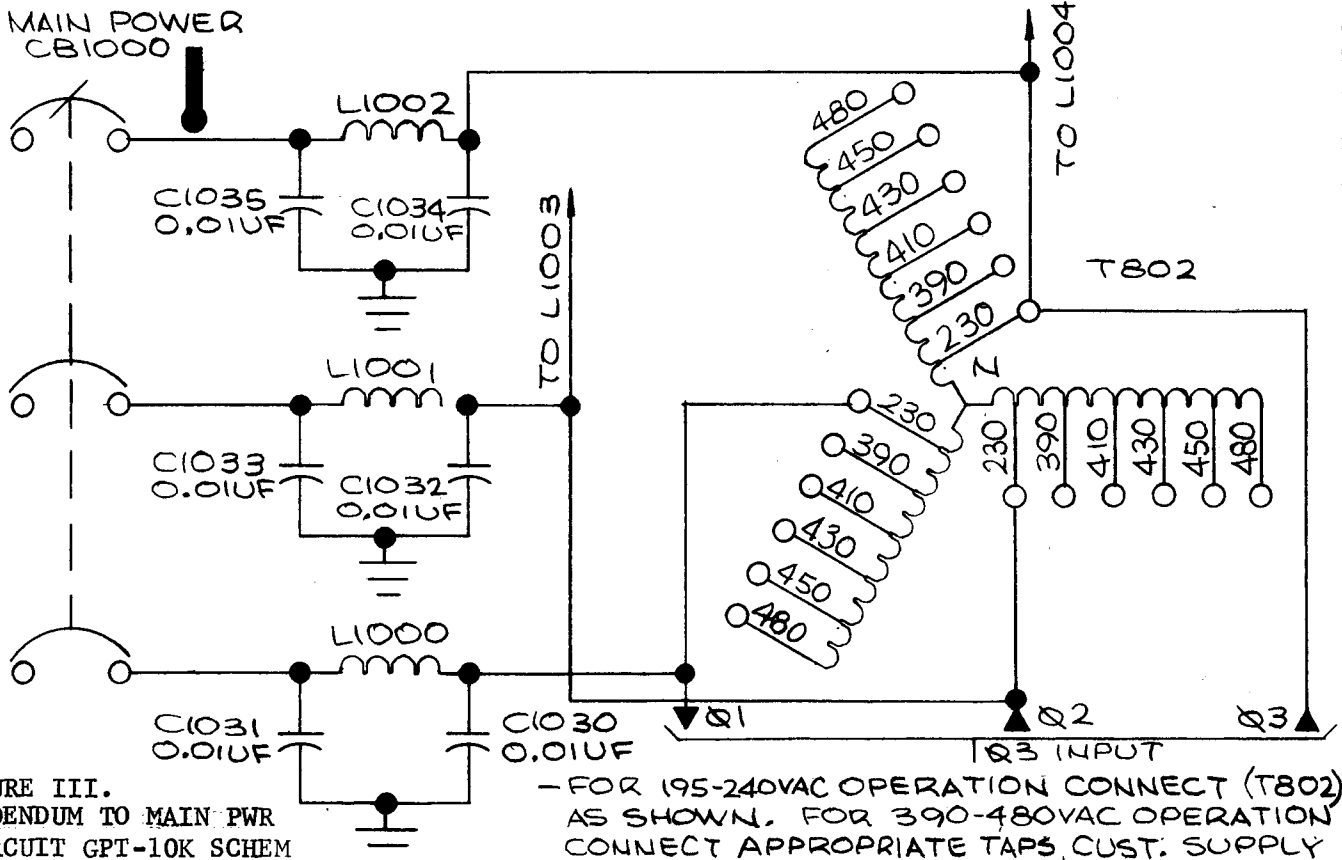


FIGURE III.
ADDENDUM TO MAIN PWR
CIRCUIT GPT-10K SCHEM

- FOR 195-240VAC OPERATION CONNECT (T802) AS SHOWN. FOR 390-480VAC OPERATION CONNECT APPROPRIATE TAPS. CUST. SUPPLY 50 OR 60cps UNGROUNDED. PHASE SEQ Q1, Q2, Q3

TMC SPECIFICATION

NO. S 1156

REV: ϕ A

COMPILED:

CHECKED:

APPD: ϕ

SHEET 8

OF 8

TITLE:

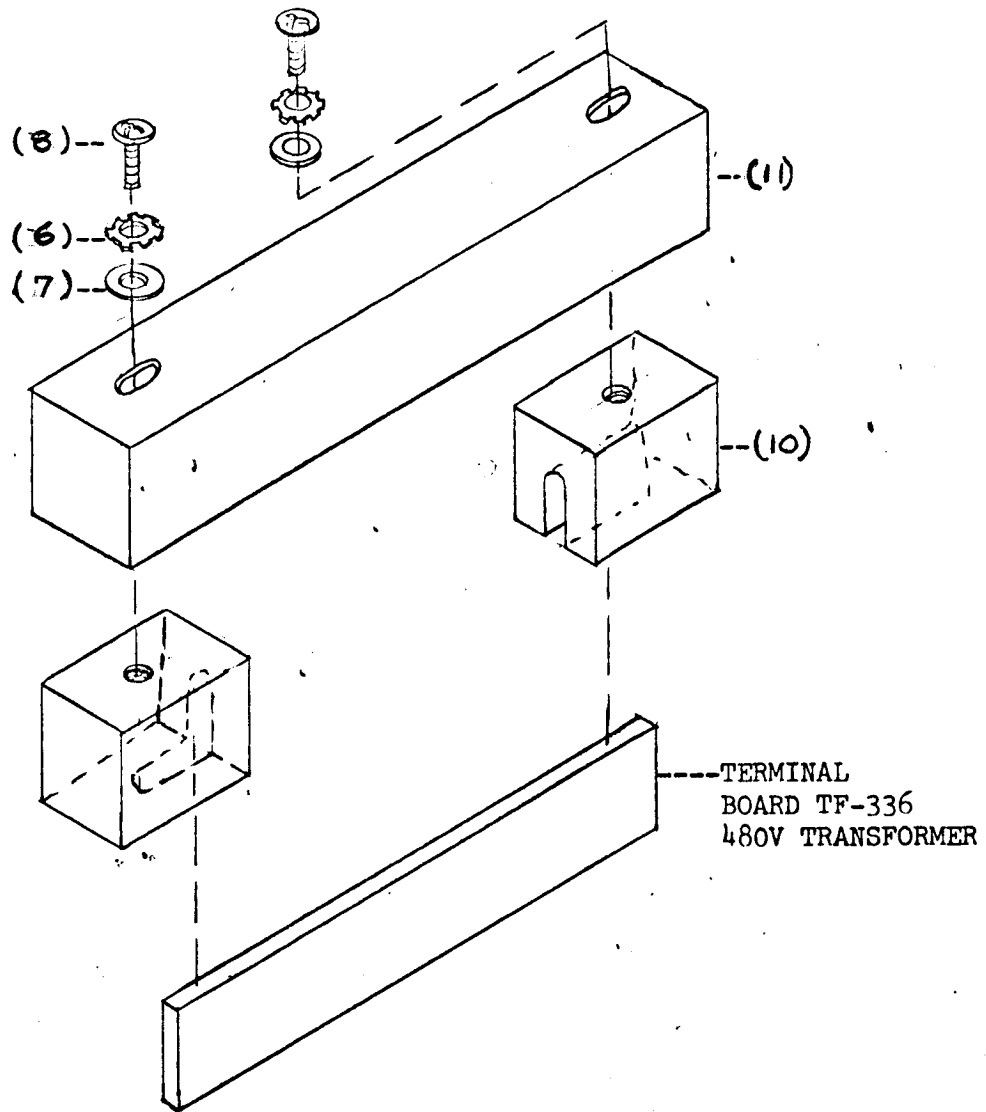


FIGURE IV

PROTECTIVE COVER MOUNTING

