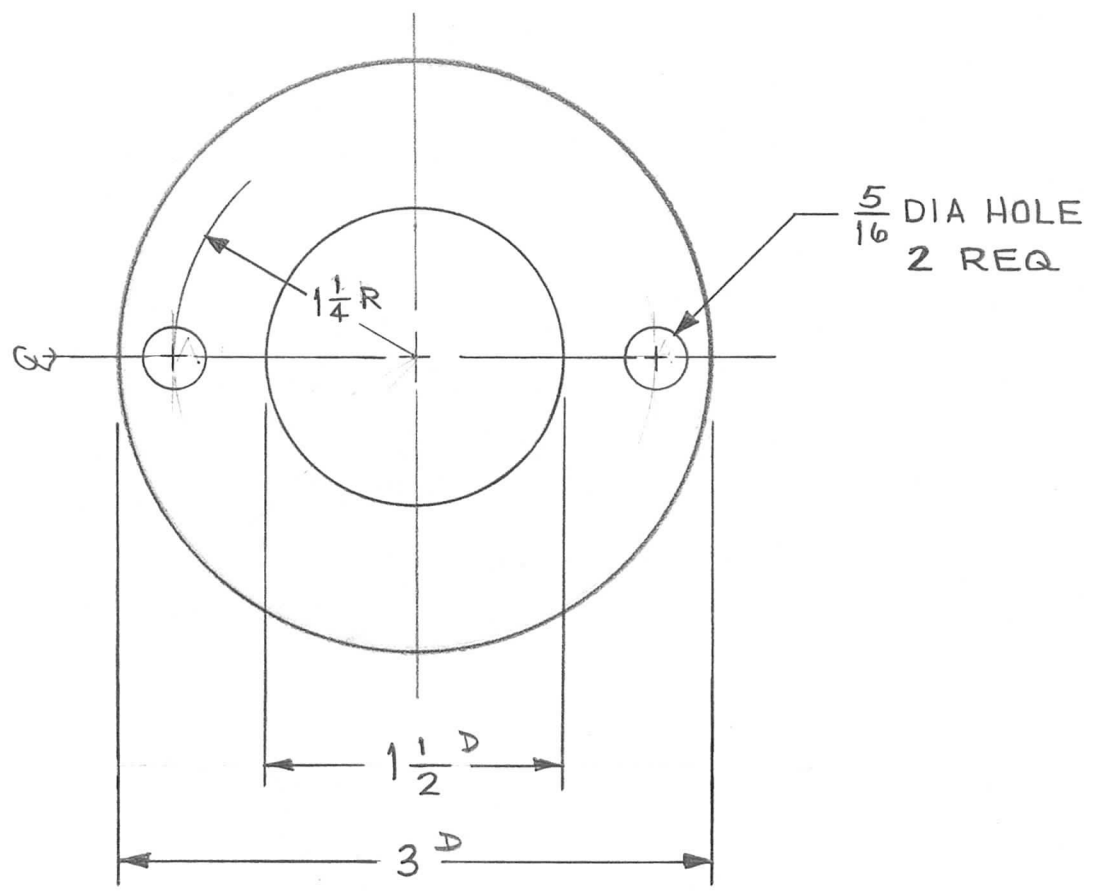


REQ. PER UNIT	USED ON			PX979	Ø
	MODEL	ASS'Y. NO.	DATE		
1	GPT-10K	A-1696	3-4-66		



REQ.	ITEM	PART NO.	DESCRIPTION			SYMBOL
			1/16 THICK			THE TECHNICAL MATERIEL CORP. MAMARONECK, NEW YORK
			STOCK SIZE			
			PHENDOLIC			INSULATOR, DISC
			MATERIAL			
			XXXXP		M. TANTILLO 3-4-66	OCB
			TYPE & TEMPER	HEAT TREAT. SPEC.	DRAWN	CHECKED
			NATURAL			FINAL APPROVAL
			FINISH & SPEC. NO.			PX979
			ELEC. DES. APP.			MECH. DES. APP.

UNLESS OTHERWISE SPECIFIED  
DIMENSIONS ARE IN INCHES AND INCLUDE  
CHEMICALLY APPLIED OR PLATED FINISHES

SCALE

DECIMALS  
.X ± .05  
.XX ± .01  
.XXX ± .005

FRACTIONS  
± 1/64  
ANGLES  
± 0° 30'

TOLERANCES

SYM DESCRIPTION DATE CH. NO. DRAFTS CHECKER ENG. APP.

Ø ORIGINAL RELEASE 4/28/66