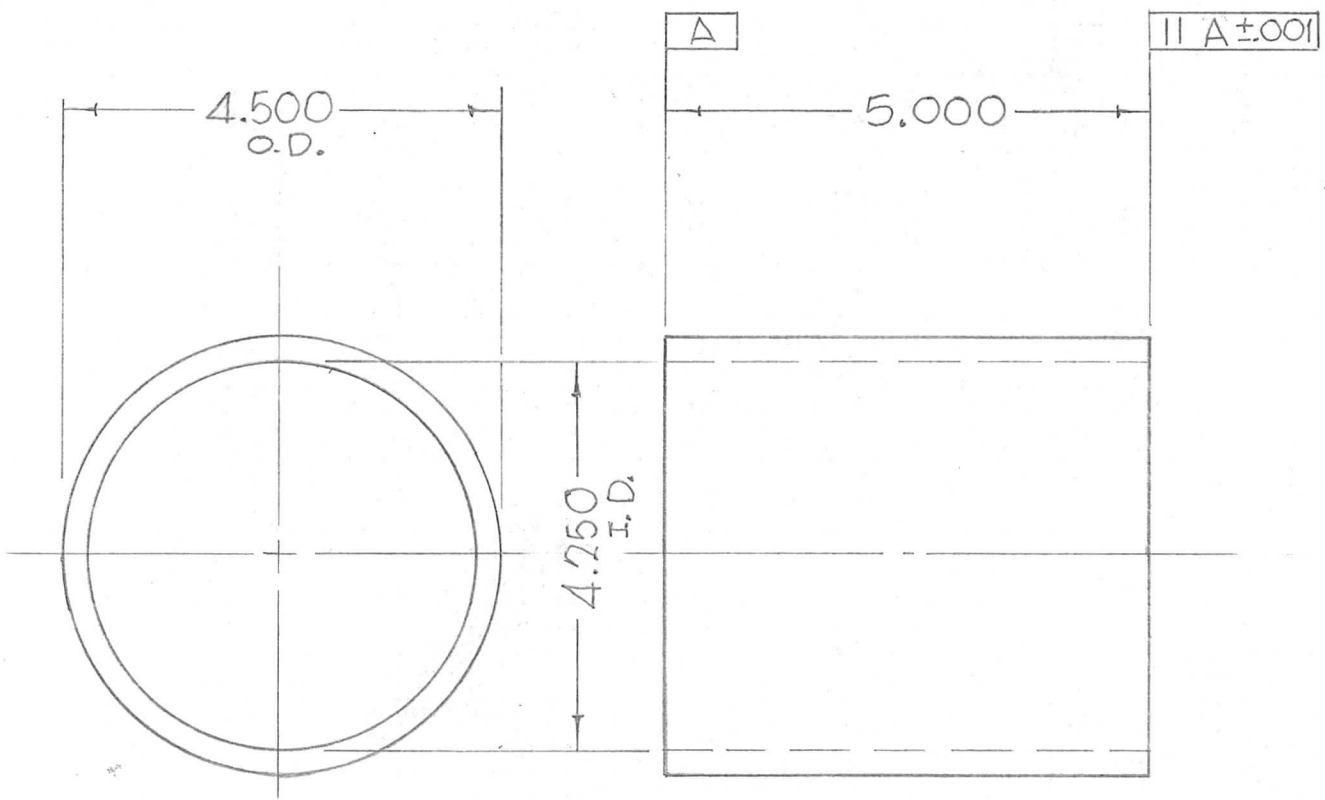


REQ. PER UNIT	USED ON			PX 900	Ø
	MODEL	ASS'Y. NO.	DATE		
2	GPT-10K (TECH)				



		REQ. ITEM	PART NO.		SK3129	DESCRIPTION PX 20	SYMBOL
		AS NOTED			THE TECHNICAL MATERIEL CORP. MAMARONECK, NEW YORK		
		STOCK SIZE			TUBING, TRANSPARENT		
Ø	ORIGINAL RELEASE FOR PRODUCTION	5/16/67	Ø	CV	J.C. Biele		
SYM	DESCRIPTION	DATE	CH. NO.	DRAFTS	CHECKER	ENG. APP.	
UNLESS OTHERWISE SPECIFIED DIMENSIONS ARE IN INCHES AND INCLUDE CHEMICALLY APPLIED OR PLATED FINISHES		SCALE		TYPE & TEMPER			
DECIMALS X ± .05 .XX ± .01 .XXX ± .005		FRACTIONS ± 1/64 ANGLES ± 0° 30'		CODE		HEAT TREAT. SPEC.	
TOLERANCES				OUTSIDE SURFACE POLISHED		DRAWN	
				FINISH & SPEC. NO.		CHECKED	
				ELEC. DES. APP.		MECH. DES. APP.	
				PX 900		Ø	