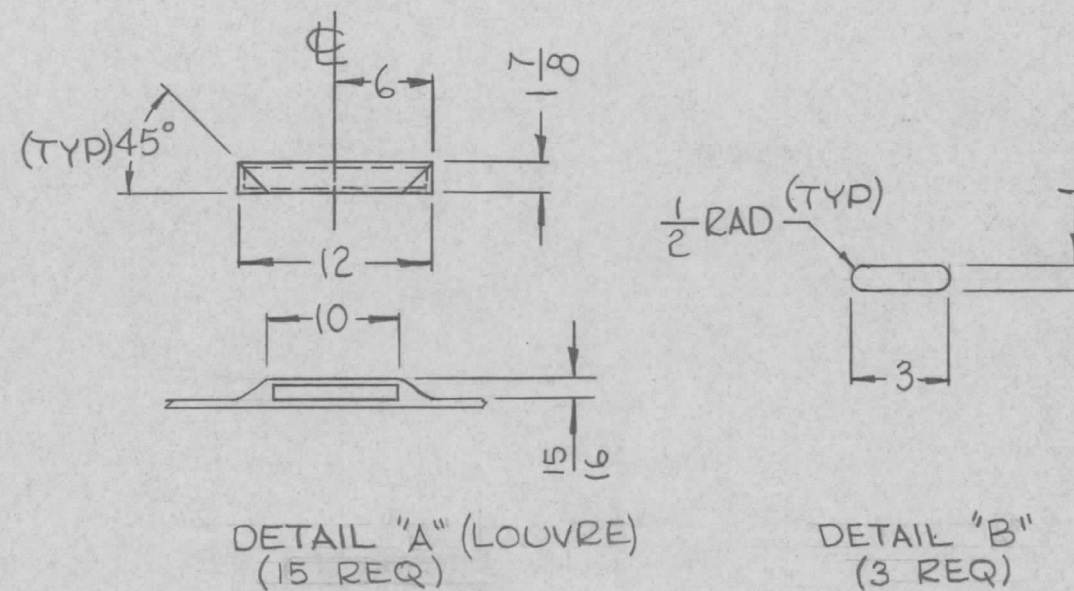


FIBERGLASS SCREENING, 16 MESH - DOTTED LINES

SYM	REVISIONS					
	DESCRIPTION	DATE	E.M.N. NO.	DRAFT	CHKD	APPD
PX892	ORIGINAL RELEASE FOR PRODUCTION					



NOTE: THIS ITEM IS THE BLANK PANEL USED TO MANUFACTURE PX365-1,-2 & PX366.

4	TER-5000	A4131 (8)
Q'TY./UNIT	MODEL USED ON	ASS'Y. NO.
SCALE	CODE	

REQ'D.	ITEM	PART NUMBER	DESCRIPTION	SYMBOL
LIST OF MATERIAL				
MATERIAL		THE TECHNICAL MATERIEL CORP.		
1/8 THK FIBERGLASS		MAMARONECK, NEW YORK		
FINISH		TITLE		
S756 GRAY SYNTHETIC ENAMEL		PANEL, BLANK		
UNLESS OTHERWISE SPECIFIED DIMENSIONS ARE IN INCHES AND INCLUDE CHEMICALLY APPLIED OR PLATED FINISHES		DRAWN	DATE	FINAL APPROVAL
		ww	6/29/66	[Signature]
		CHECKED	DATE	
		[Signature]		
		ELECT. DES.	DATE	
		MECH. DES.	DATE	
		SHEET		REV. LTR.
		PX892		Ø

NOTES

THE CONTENTS OF THIS DRAWING ARE THE EXCLUSIVE PROPERTY OF THE TECHNICAL MATERIEL CORP. ITS UNAUTHORIZED USE OR REPRODUCTION IN WHOLE OR IN PART IS STRICTLY FORBIDDEN.

DECIMALS
.X ± .05
.XX ± .01
.XXX ± .005

TOLERANCES

FRACTIONS
± 1/64
ANGLES
± 0° 30'