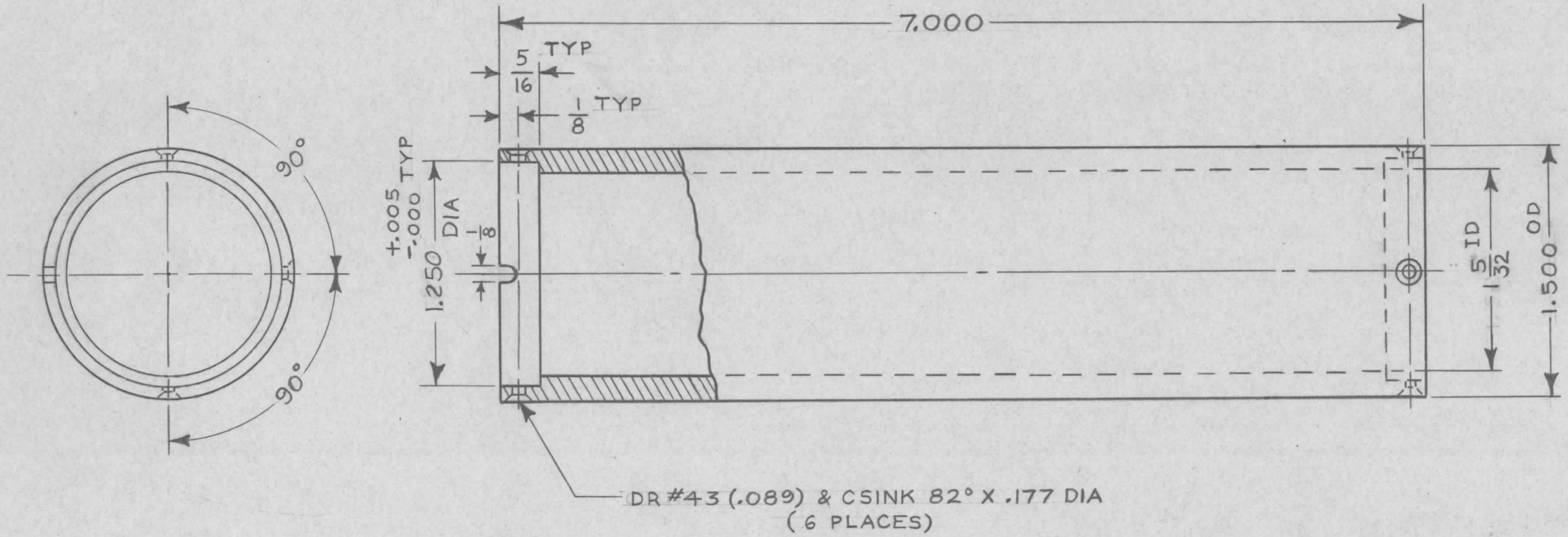


PX856

REVISIONS

| SYM | DESCRIPTION | DATE | E.M.N. NO. | DRAFT | CHKD | APPD |
|-----|---------------------------|----------|------------|--------------------|--------------------|--------------------|
| X | EXPERIMENTAL RELEASE | 10-22-64 | | NP | | |
| Ø | ORIGINAL RELEASE FOR PROD | 3/15/65 | Ø | <i>[Signature]</i> | <i>[Signature]</i> | <i>[Signature]</i> |



REF: LD 1637

MATERIAL:
CAST ACRYLIC HC-206 CLEAR

| REQ'D. | ITEM | PART NUMBER | DESCRIPTION | SYMBOL |
|--------|------------|-------------|---|-----------|
| | M. GELLMAN | | LIST OF MATERIAL | |
| | SEE NOTE | | THE TECHNICAL MATERIEL CORP. MAMARONECK, NEW YORK | |
| | —//— | | TITLE DRUM, CYLINDER | |
| | | | UNLESS OTHERWISE SPECIFIED DIMENSIONS ARE IN INCHES AND INCLUDE CHEMICALLY APPLIED OR PLATED FINISHES | |
| | | | DECIMALS .X ± .05 .XX ± .01 .XXX ± .005 | |
| | | | FRACTIONS ± 1/64 ANGLES ± 0° 30' | |
| | | | DRAWN <i>N. Peter</i> DATE 10-22-64 | |
| | | | CHECKED <i>[Signature]</i> DATE | |
| | | | ELECT. DES. DATE 3-15-65 | |
| | | | MECH. DES. DATE 3-15-65 | |
| | | | FINAL APPROVAL <i>[Signature]</i> | |
| | | | PX856 | Ø |
| | | | SHEET | REV. LTR. |

| Q'TY./UNIT | MODEL USED ON | ASS'Y. NO. |
|---|---------------|------------|
| 1 | VLRB-1 | |
| SCALE | CODE | |
| 1:1 | | |
| THE CONTENTS OF THIS DRAWING ARE THE EXCLUSIVE PROPERTY OF THE TECHNICAL MATERIEL CORP. ITS UNAUTHORIZED USE OR REPRODUCTION IN WHOLE OR IN PART IS STRICTLY FORBIDDEN. | | |

NOTES