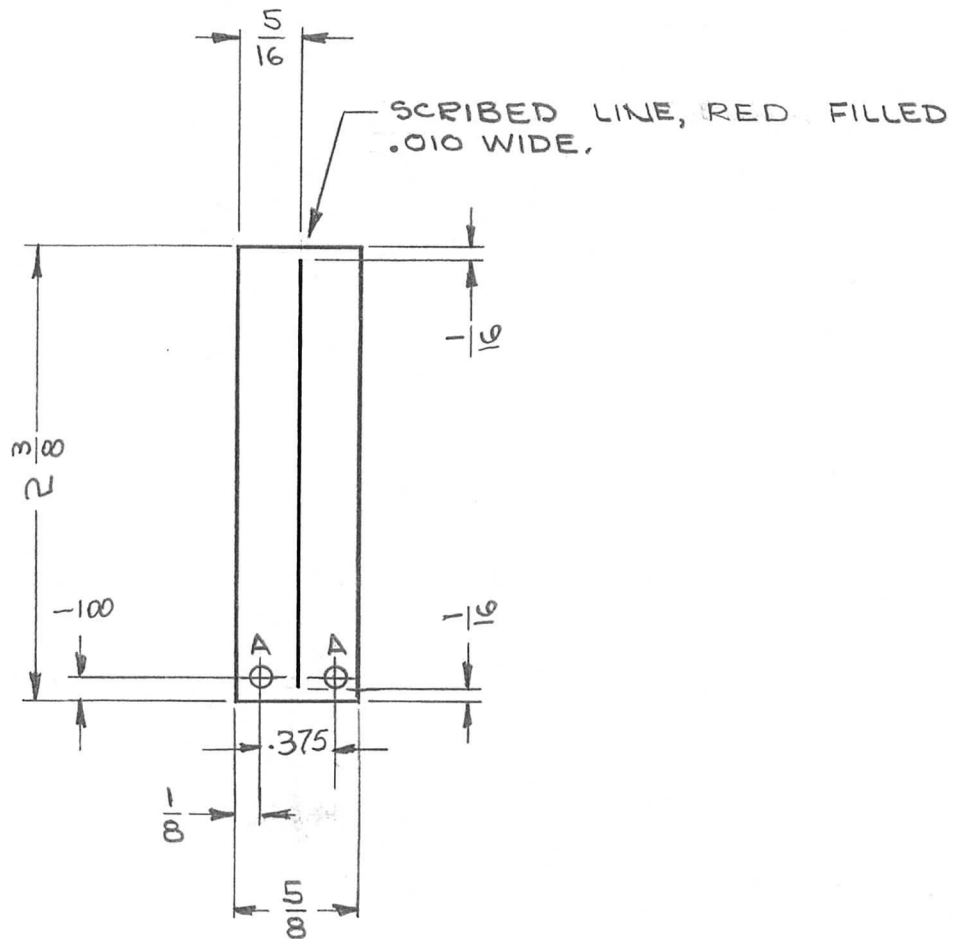


REQ. PER UNIT	USED ON			PX 851	Ø
	MODEL	ASS'Y. NO.	DATE		
1	VLRB-1		8-28-64		



HOLE	DESCRIPTION	REQ.
A	3/32 DIA.	2

REQ.	ITEM	PART NO.	DESCRIPTION	SYMBOL
Ø	ORIG. REL. FOR PROD.	9/18/68	Ø R.G.	<i>file</i>
X1	SCRIBED LINE, RED FILLED WAS BLACK FILLED	12-2-64	<i>Sch</i>	
X	EXPER. RELEASE	8-28-64	X <i>John</i>	
SYM	DESCRIPTION	DATE	CH. NO.	DRAFTS
UNLESS OTHERWISE SPECIFIED DIMENSIONS ARE IN INCHES AND INCLUDE CHEMICALLY APPLIED OR PLATED FINISHES		SCALE	1:1	
DECIMALS .X ± .05 .XX ± .01 .XXX ± .005	TOLERANCES	FRACTIONS ± 1/64 ANGLES ± 0° 30'	CODE A	
TYPE & TEMPER		HEAT TREAT. SPEC.	DRAWN	CHECKED
FINISH & SPEC. NO.		ELEC. DES. APP.	MECH. DES. APP.	PX 851