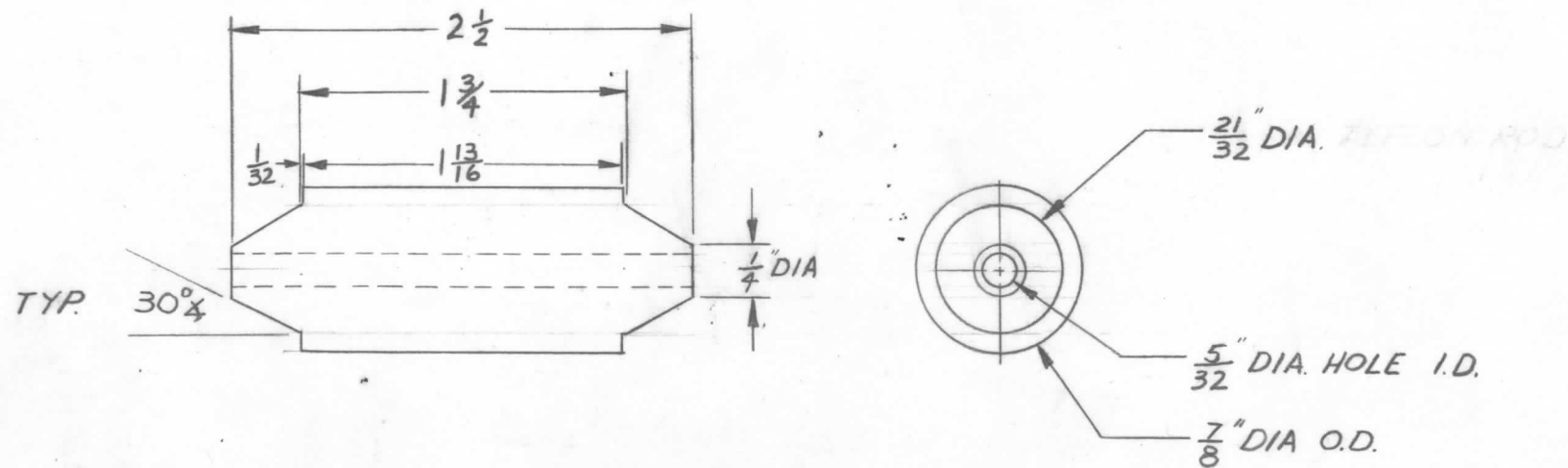


REVISIONS						
ZONE	LTR	DESCRIPTION	DATE	E.M.N.NO	DRAFT	APPD
	X1	AX 8055 ADDED	5-19-69	#	GE	
	Ø	ORIGINAL RELEASE FOR PRODUCTION	5-19-69	#	GE	



NOTE:
ALL DIMENSIONS OFF CENTER LINES

REQ'D	ITEM	PART NUMBER	DESCRIPTION	SYM.
LIST OF MATERIAL				
THE TECHNICAL MATERIEL CORP. MAMARONECK, NEW YORK				
INSULATOR, TEFLON				
SIZE	CODE IDENT. NO.	DWG NO.	ISSUE	
B	82679	PX8005	Ø	
SCALE				SHEET 1 OF 1

UNLESS OTHERWISE SPECIFIED DIMENSIONS ARE IN INCHES AND INCLUDE CHEMICALLY APPLIED OR PLATED FINISHES		FINAL APPROVAL	DATE
		<i>[Signature]</i>	5/26/69
		MECH. DES.	DATE
		ELECT. DES.	DATE
		CHECKED	DATE
		<i>[Signature]</i>	5/24/69
		DRAWN	DATE
		C. Grab	4/16/68

QTY / UNIT	MODEL USED ON	ASS'Y NO.
		AX 8055
APPLICATION		
	CODE	
NOTICE TO PERSONS RECEIVING THIS DRAWING THE TECHNICAL MATERIEL CORPORATION claims proprietary right in the material disclosed hereon. This drawing is issued in confidence for engineering information only and may not be reproduced or used to manufacture anything shown hereon without permission from THE TECHNICAL MATERIEL CORPORATION to the user. This drawing is loaned for mutual assistance and is subject to recall at any time.		

DECIMALS	FRACTIONS	
.X ± .05	1/64	
.XX ± .01	TOLS. ANGLES	
.XXX ± .005	0° -30'	

MATERIAL	FINISH
DIELECTRIC -TEFLON	