

THE CONTENTS OF THIS DRAWING ARE THE EXCLUSIVE PROPERTY OF THE TECHNICAL MATERIEL CORP. ITS UNAUTHORIZED USE FOR REPRODUCTION IN WHOLE OR IN PART IS STRICTLY FORBIDDEN.

REQ. PER UNIT

USED ON

MODEL

ASS'Y. NO.

DATE

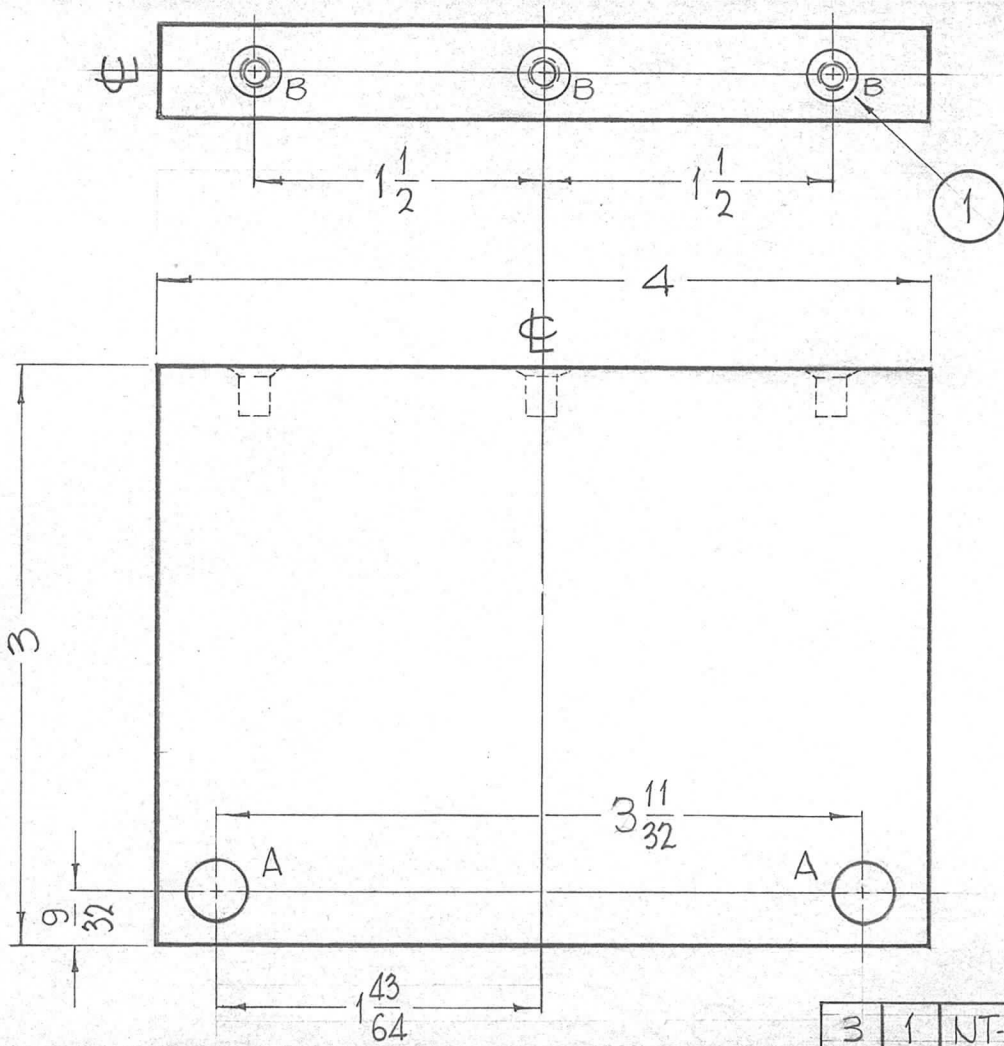
2

GPT-200K

AS-124

6-30-63

PX-763 0



HOLES REQ

A - 5/16 DIA. 2

B - SEE PROCEDURE FOR MTG. ITEM NO. 1 3

PROCEDURE FOR MTG. ITEM NO. 1 INTO "B" HOLES.

1 - DRILL 13/64 (.203) TO .552 MIN DEPTH.

2 - 120° C'SINK .220 - .250 DIA.

3 - TAP .410 MIN. DEPTH USE HELI-COIL TAP NO. 3FPB.

4 - INSTALL ITEM NO. 1, 3/4 TO 1-1/2 PITCH BELOW SURFACE.

5 - BREAK OFF DRIVING TANG.

3	1	NT-139-SFI-20	INSERT, THREADED	
REQ.	ITEM	PART NO.	F. BUDETTI DESCRIPTION	SYMBOL
		1/2 THICK	THE TECHNICAL MATERIEL CORP. MAMARONECK, NEW YORK	
		STOCK SIZE		
		SILICONE GLASS	BOARD, CAPACITOR MTG.	
		MATERIAL		
		G-7	John C. Biele	aa
		TYPE & TEMPER	DRAWN	CHECKED
		NATURAL	John C. Biele	aa
		FINISH & SPEC. NO.	ELEC. DES. APP.	MECH. DES. APP.
				PX-763 0

0	ORIG. RELEASE FOR PROD.	5-16-64		SRG		
SYM	DESCRIPTION	DATE	CH. NO.	DRAFTS	CHECKER	ENG. APP.
UNLESS OTHERWISE SPECIFIED DIMENSIONS ARE IN INCHES AND INCLUDE CHEMICALLY APPLIED OR PLATED FINISHES		SCALE		1" = 1"		
DECIMALS	TOLERANCES	FRACTIONS	CODE			
.X ± .05		± 1/64				
.XX ± .01		ANGLES				
.XXX ± .005		± 0° 30'				