

THE CONTENTS OF THIS DRAWING ARE THE EXCLUSIVE PROPERTY OF THE TECHNICAL MATERIEL CORP. ITS UNAUTHORIZED USE FOR REPRODUCTION IN WHOLE OR IN PART IS STRICTLY FORBIDDEN.

REQ. PER UNIT

2

USED ON

MODEL

GPT-200K

ASS'Y. NO.

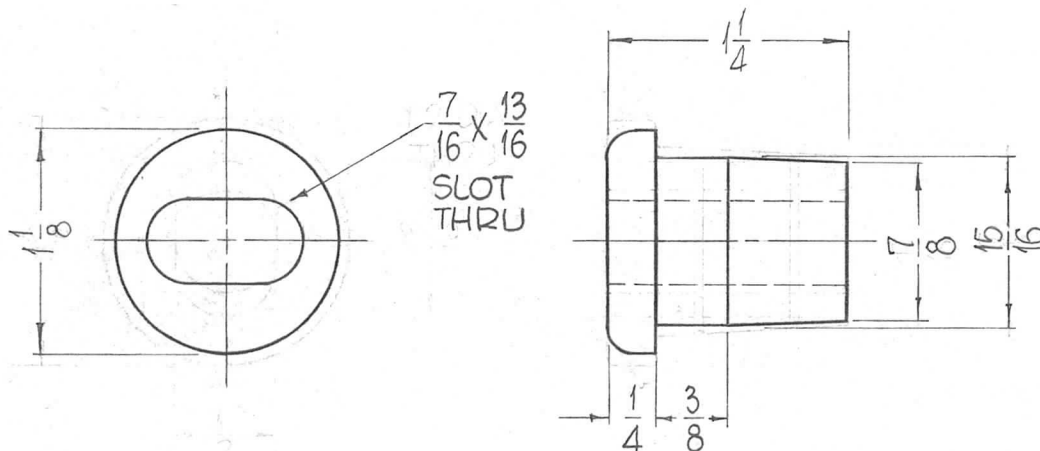
AS-123

DATE

1-16-63

PX-718

0



NOTE:
ROUND ALL EDGES

						REQ.	ITEM	PART NO.	F. BUDETTI	DESCRIPTION	SYMBOL
									THE TECHNICAL MATERIEL CORP. MAMARONECK, NEW YORK		
						STOCK SIZE			FEED THRU, LEAD		
O ORIGINAL RELEASE						TEFLON					
5.16.64						MATERIAL					
UNLESS OTHERWISE SPECIFIED DIMENSIONS ARE IN INCHES AND INCLUDE CHEMICALLY APPLIED OR PLATED FINISHES						SCALE			SRG aa JB RDC		
SYMBOL DESCRIPTION DATE CH. NO. DRAFTS CHECKER ENG. APP.						TYPE & TEMPER HEAT TREAT. SPEC.			DRAWN CHECKED FINAL APPROVAL		
DECIMALS .X ± .05 .XX ± .01 .XXX ± .005						CODE			NONE		
FRACTIONS ± 1/64 ANGLES ± 0° 30'						FINISH & SPEC. NO.			ELEC. DES. APP. MECH. DES. APP. PX-718 0		
TOLERANCES											