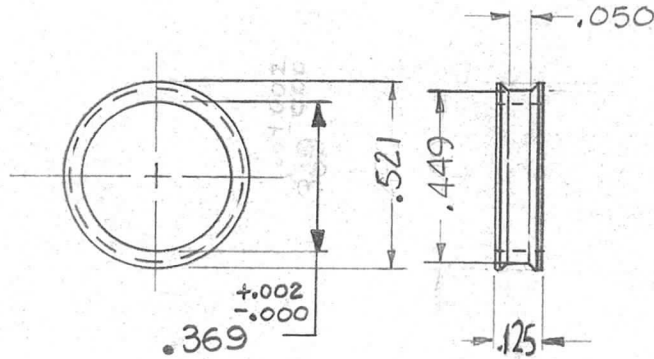


THE CONTENTS OF THIS DRAWING ARE THE EXCLUSIVE PROPERTY OF THE TECHNICAL MATERIEL CORP. ITS UNAUTHORIZED USE OR REPRODUCTION IN WHOLE OR IN PART IS STRICTLY FORBIDDEN.

REQ. PER UNIT	USED ON		
	MODEL	ASS'Y. NO.	DATE
2	HFR-1	A-3051	7-26-62
5	HFR-1	A-3057	7-17-63

PX-665 B



REF - BB-126-3

REQ.	ITEM	PART NO.	DESCRIPTION	SYMBOL
		KRUY	THE TECHNICAL MATERIEL CORP. MAMARONECK, NEW YORK	
B	REF WAS BB-126-3; ASS'Y NO ADDED TO CHART; DIM. 369 WAS 369	7-17-63 9629	STOCK SIZE	
A	.521 WAS .490	12-7-62 7789	NYLON	RING, SLIP-ON
SYM	DESCRIPTION	DATE	CH. NO.	DRAFTS
UNLESS OTHERWISE SPECIFIED: DIMENSIONS ARE IN INCHES TOLERANCES ON FRAC. ± 1/64 DEC. ± .005 ANGLES ± 1/2°		SCALE: Do Not Scale MAXIMUM ALLOWABLE TOLERANCES HAVE BEEN DETERMINED AND ANY DEVIATIONS WILL BE CAUSE FOR REJECTION. REMOVE ALL BURRS AND SHARP EDGES		
		TYPE & TEMPER	HEAT TREAT. SPEC.	FINISH & SPEC. NO.
		NATURAL		
		DRAWN	CHECKED	FINAL APPROVAL
		DJ Man	flw	BP
		ELEC. DES. APP.	MECH. DES. APP.	PX-665 B
			TAK	