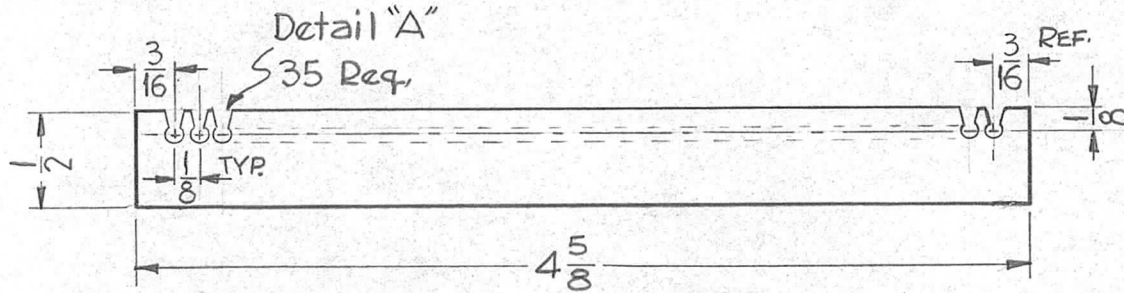
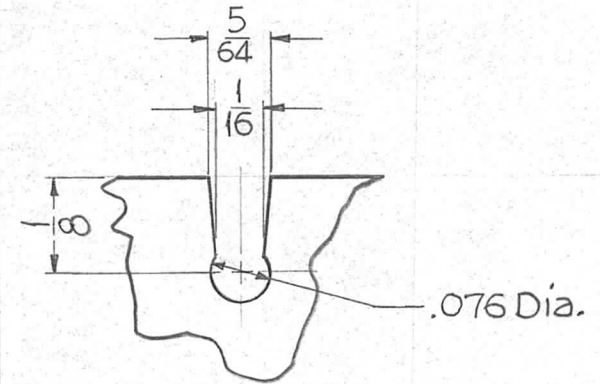


REQ. PER. UNIT	USED ON			PX-609 A
	MODEL	ASS'Y. NO.	DATE	
	GPT-40K	A-3023	6-14-61	

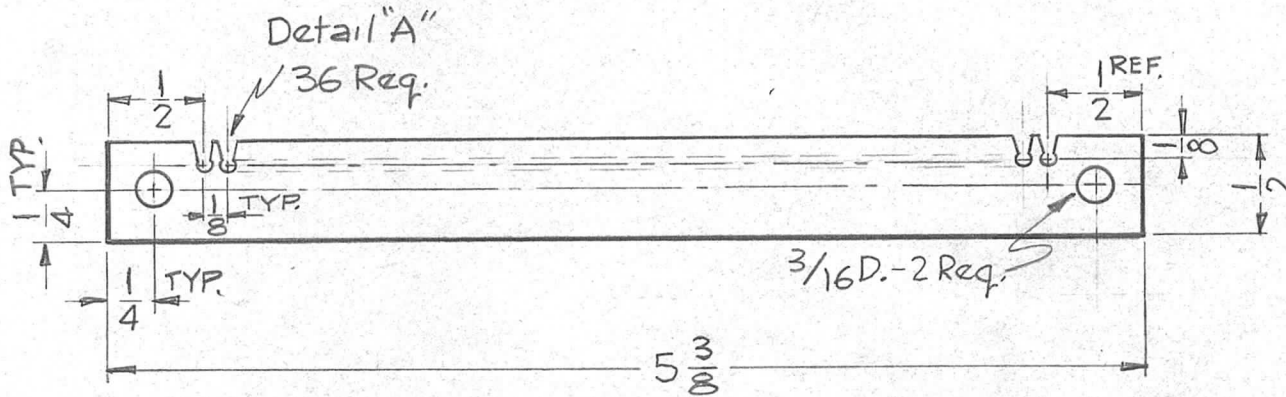


PX-609-1 (2 Req'd.)

MAT'L. 1/8" THICK
TEFLON



DETAIL "A"



PX-609-2 (1 Req'd.)

MAT'L. 1/4" THICK
TEFLON

REQ.	ITEM	PART NO.	DESCRIPTION		SYMBOL						
	3	AS NOTED	THE TECHNICAL MATERIEL CORP.								
	2	STOCK SIZE	MAMARONECK, NEW YORK								
	3	TEFLON	SPACER, STATIC CHOKE								
	2										
	1										
ISSUE	ITEM	CHANGED FROM	DATE	CH. NO.	DRAFTS	CHECKER	ENG. APP.				
TOLERANCES			SCALE:			DRAWN		CHECKED		FINAL APPROVAL	
DEC. DIM. ±			MAXIMUM ALLOWABLE TOLERANCES HAVE BEEN DETERMINED AND ANY DEVIATIONS WILL BE CAUSE FOR REJECTION.			2B		2B		PX-609 A	
FRAC. DIM. ±			REMOVE ALL BURRS AND SHARP EDGES			2B					
ANGULAR DIM. ±						2B					
						ELEC. DES. APP		MECH. DES. APP			