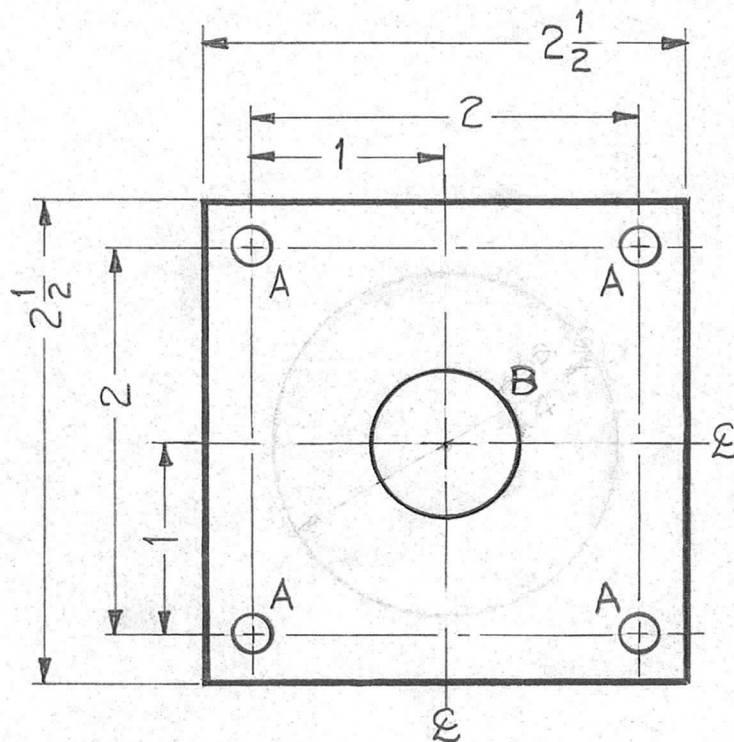


REQ. PER UNIT	USED ON			PX-555	A
	MODEL	ASS'Y. NO.	DATE		
2	GPT-40K	AX-209	4-26-60		



HOLES

A ~ 13/64 (.203) DIA.

B ~ 3/4 (.750) DIA.

REQ'D

4

1

REF ~ TMC DWG NO. LD-792 (1)

REQ.	ITEM	PART NO.	DESCRIPTION				SYMBOL	
		1/4	THE TECHNICAL MATERIEL CORP.					
		STOCK SIZE	MAMARONECK, NEW YORK					
A	1	"B" HOLE WAS 13/4 D.	BOARD, CAPACITOR MOUNT					
		SILICONE GLASS	(PA DECK)					
		MATERIAL						
		G7	DA M...	JCB		JCB		
ISSUE		ITEM	CHANGED FROM	DATE	CH. NO.	DRAFTS	CHECKER	ENG. APP.
TOLERANCES			SCALE:					
DEC. DIM. ±			MAXIMUM ALLOWABLE TOLERANCES HAVE BEEN DETERMINED AND ANY DEVIATIONS WILL BE CAUSE FOR REJECTION. REMOVE ALL BURRS AND SHARP EDGES					
FRAC. DIM. ± 1/64								
ANGULAR DIM. ±								
		FINISH & SPEC. NO.	ELEC. DES. APP		MECH. DES. APP		PX-555	A